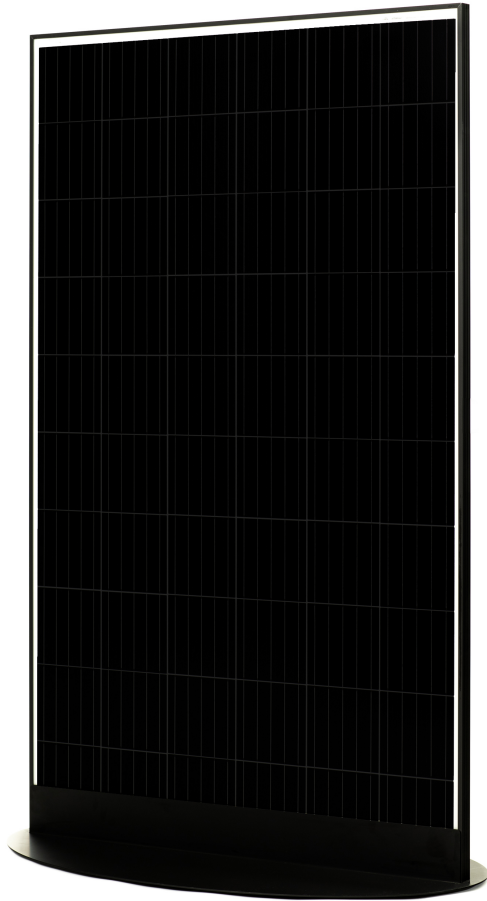


SoliTek is a European manufacturer of top quality PV cells and modules with headquarters and production plant in Vilnius, Lithuania.

The company combines the most sophisticated technologies and 20 years of experience.



20

years product guarantee

25

80% max output guarantee

Working conditions	
Maximum system voltage	DC 1000 V (TUV)
Operating temperature	-40°C / +85°C
Maximum reverse current	15 A
Maximum wind /snow load	1600/3600Pa**
IP protection level	67
Safety class	II

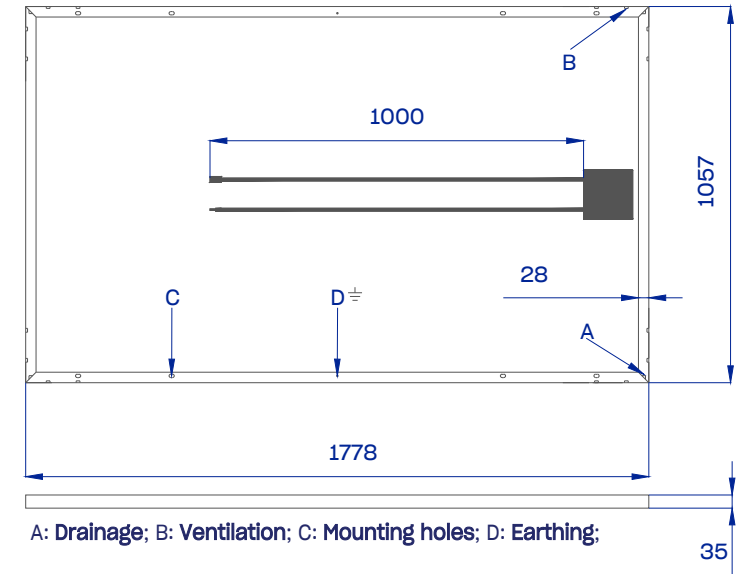
**Safety factor 1,5

Temperature coefficients	
Current temperature coefficient (α)	+0,060% /° C
Voltage temperature coefficient (β)	-0,34% /° C
Power temperature coefficient (δ)	-0,40% /° C
Nominal Operating Module Temperature	45±2°C

Electrical parameters			
Parameter		Unit	Value
Maximum power*	Pmax	W	365
Maximum power point voltage	Vmpp	V	34,68
Maximum power current	Impp	A	10,55
Open circuit voltage	Voc	V	40,39
Short circuit current	Isc	A	11,16
Efficiency	η	%	19,42

*Under Standart Test Conditions (STC) of irradiance of 1000W/sq. m., spectrum AM 1.5 and cell temperature of 25 °C

Mechanical data	
Cell size (mm)	166x166
Number of cells	60 (6x10)
Front side glass	3,2 mm
Weight	20 kg
Dimensions (L x W x H)	1778x1057x35
J-box	IP67
Cable length	1 m
Cable cross section size	4 mm ²
Number of diodes	3
Plug-in connection	MC4 compatible
Frame	Black anodized aluminium frame
Packaging per pallet	30 modules



A: Drainage; B: Ventilation; C: Mounting holes; D: Earthing;



Certificates and memberships



Mokslininku str. 6A,
Vilnius 08412, Lithuania
Tel. +370 5 263 8774
info@solitek.eu
www.solitek.eu