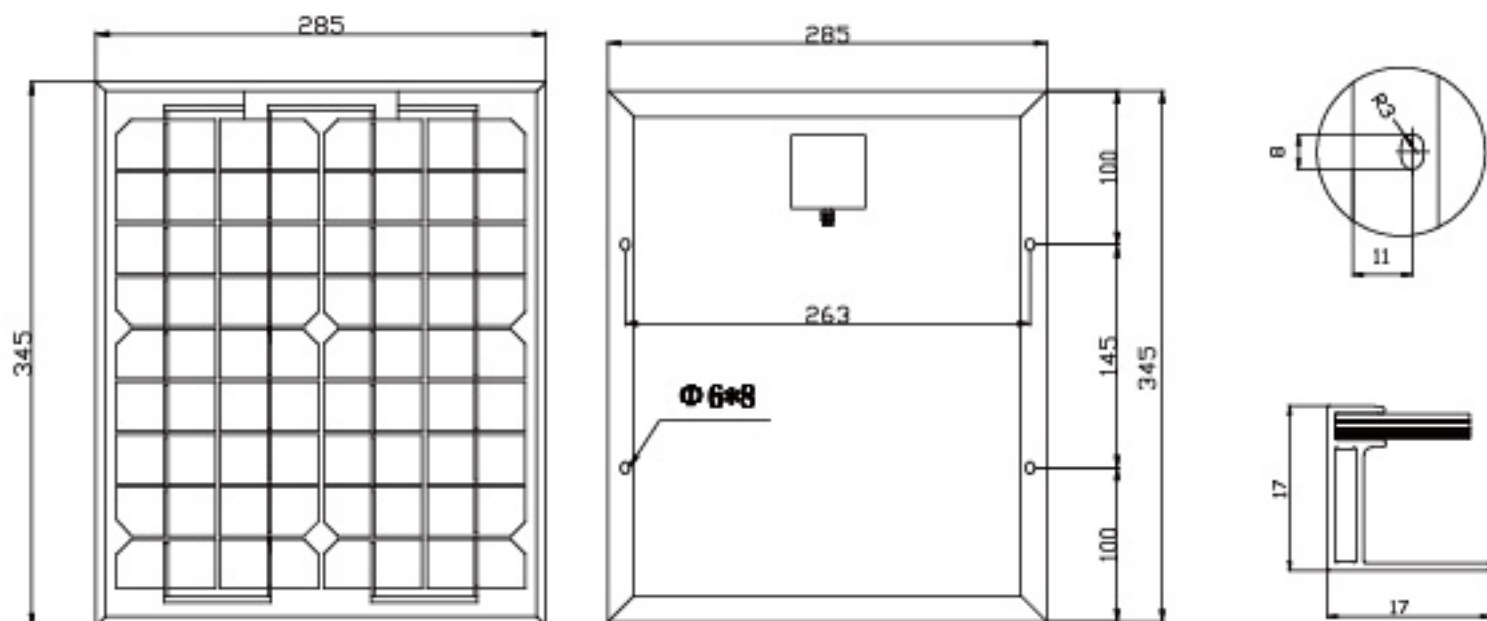


Specifications

Size of module	345x285x17mm
Cell Type	MONO CELL 31.25x62.5mm
Number of cells	36(4x9)
Maximum Power(Wp)	10W
Tolerance of Power(%)	±3%
Open circuit Voltage(Voc)	21.8V
Short circuit Current(Isc)	0.62A
Maximum Power Voltage(Vm)	17.85V
Maximum Power Current(Imp)	0.56A
Maximum Series Fuse	0A
Number of Diode	0
Cable type and Length	without cable
Standard Test Conditions	1000W/M ² , 25°C, AM1.5
Maximum System Voltage	1000V/DC
Temperature-Coefficient Isc	+0.07%/°C
Temperature-Coefficient Uoc	-0.36%/°C
Temperature-Coefficient Pmp	-0.43%/°C
Normal Operating Cell Temperature	45°C
Cell efficiency	17%
Module efficiency	10.1%
Product Certificate	TUV(IEC 61215, IEC 61730), CE, ROHS
Company Certificate	ISO9001, ISO14001, ISO18001

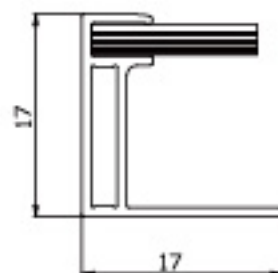
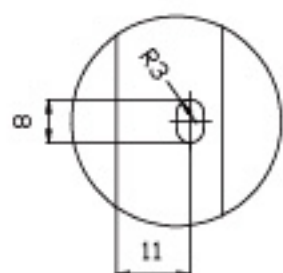
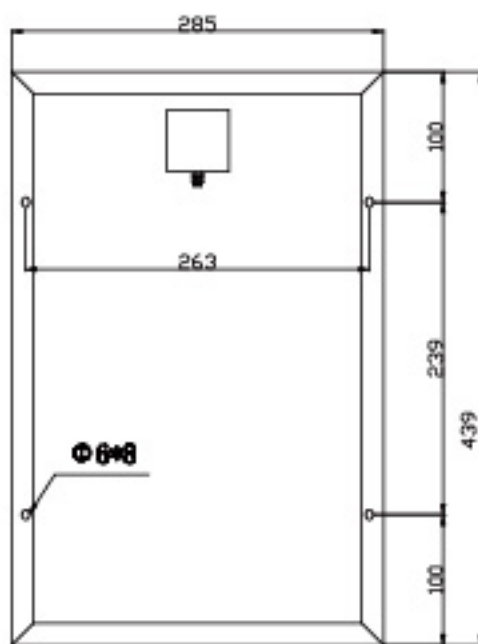
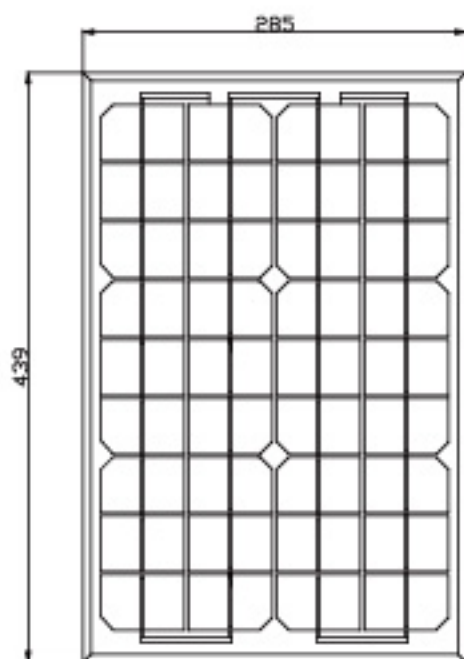


ERA SOLAR and the ERA SOLAR logo are trademarks or registered trademarks of ERA SOLAR Corporation.
September 2015 ERA SOLAR Corporation. All rights reserved. Specifications included in this datasheet are subject to change without notice.



Specifications

Size of module	439x285x17mm
Cell Type	MONO CELL 41.67x62.5mm
Number of cells	36(4x9)
Maximum Power(Wp)	15W
Tolerance of Power(%)	±3%
Open circuit Voltage(Voc)	21.8V
Short circuit Current(Isc)	0.93A
Maximum Power Voltage(Vm)	17.85V
Maximum Power Current(Imp)	0.84A
Maximum Series Fuse	0A
Number of Diode	0
Cable type and Length	without cable
Standard Test Conditions	1000W/M ² , 25°C, AM1.5
Maximum System Voltage	1000V/DC
Temperature-Coefficient Isc	+0.07%/°C
Temperature-Coefficient Uoc	-0.36%/°C
Temperature-Coefficient Pmpp	-0.43%/°C
Normal Operating Cell Temperature	45°C
Cell efficiency	17%
Module efficiency	11.9%
Product Certificate	TUV(IEC 61215, IEC 61730), CE, ROHS
Company Certificate	ISO9001, ISO14001, ISO18001

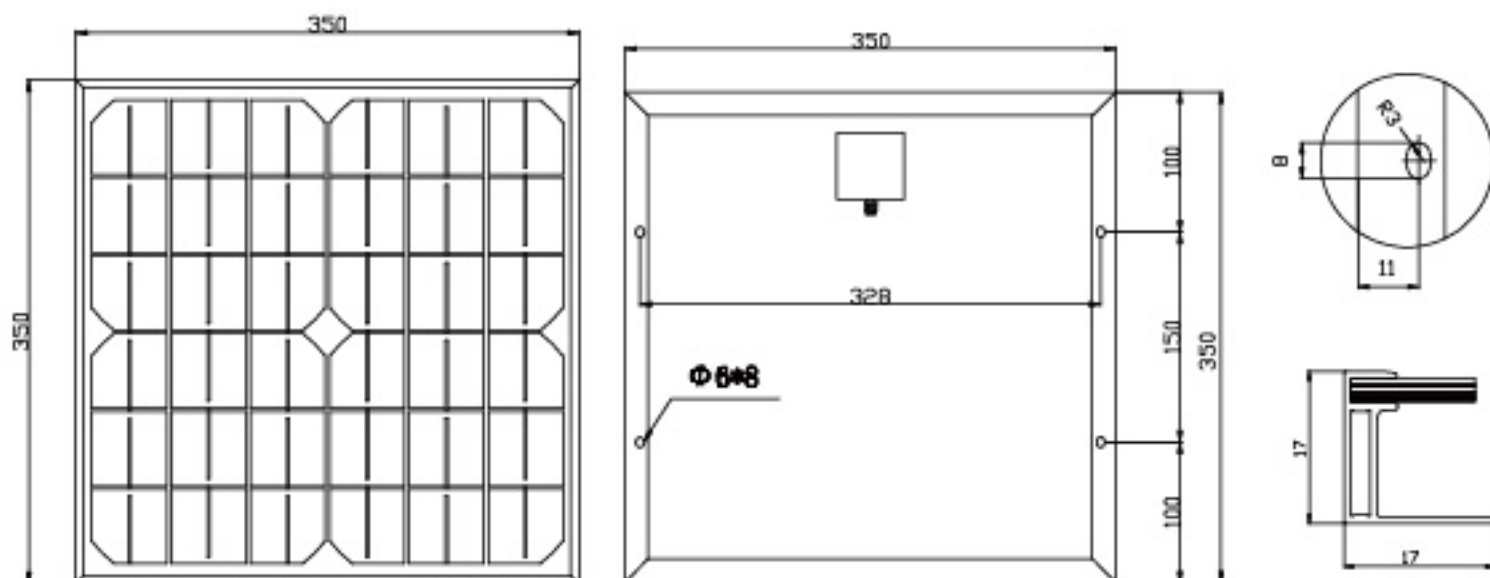


ERA SOLAR and the ERA SOLAR logo are trademarks or registered trademarks of ERA SOLAR Corporation.
September 2015 ERA SOLAR Corporation. All rights reserved. Specifications included in this datasheet are subject to change without notice.



Specifications

Size of module	350x350x17mm
Cell Type	MONO CELL 52x52mm
Number of cells	36(6x6)
Maximum Power(Wp)	15W
Tolerance of Power(%)	±3%
Open circuit Voltage(Voc)	22.5V
Short circuit Current(Isc)	0.885A
Maximum Power Voltage(Vm)	18.2V
Maximum Power Current(Imp)	0.825A
Maximum Series Fuse	0A
Number of Diode	0
Cable type and Length	without cable
Standard Test Conditions	1000W/M ² , 25°C, AM1.5
Maximum System Voltage	1000V/DC
Temperature-Coefficient Isc	+0.02973%/°C
Temperature-Coefficient Uoc	-0.38038%/°C
Temperature-Coefficient Pmpp	-0.57402%/°C
Normal Operating Cell Temperature	45°C
Cell efficiency	18.4%
Module efficiency	12.2%
Product Certificate	TUV(IEC 61215, IEC 61730), CE, ROHS
Company Certificate	ISO9001, ISO14001, ISO18001

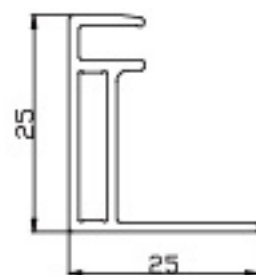
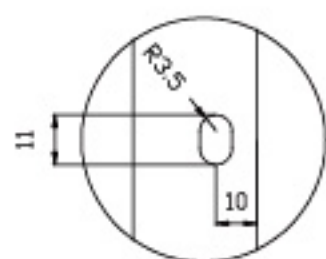
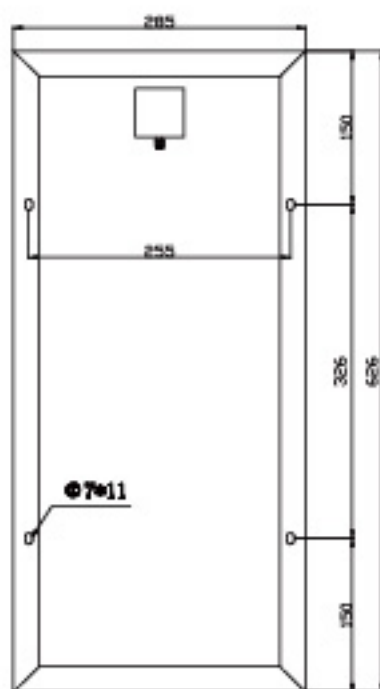
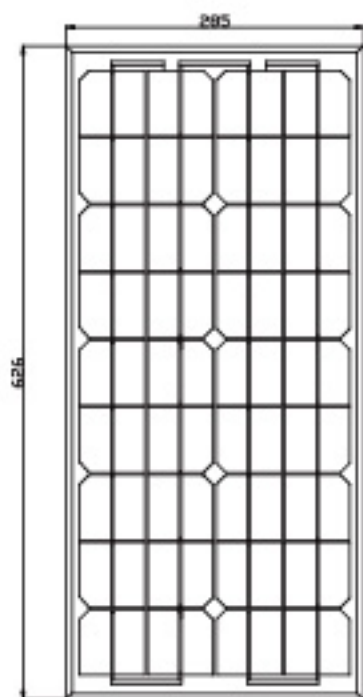


ERA SOLAR and the ERA SOLAR logo are trademarks or registered trademarks of ERA SOLAR Corporation.
September 2015 ERA SOLAR Corporation. All rights reserved. Specifications included in this datasheet are subject to change without notice.



Specifications

Size of module	626x285x25mm
Cell Type	MONO CELL 62.5x62.5mm
Number of cells	36(4x9)
Maximum Power(Wp)	20W
Tolerance of Power(%)	±3%
Open circuit Voltage(Voc)	21.8V
Short circuit Current(Isc)	1.25A
Maximum Power Voltage(Vm)	17.85V
Maximum Power Current(Imp)	1.13A
Maximum Series Fuse	0A
Number of Diode	0
Cable type and Length	without cable
Standard Test Conditions	1000W/M ² , 25°C, AM1.5
Maximum System Voltage	1000V/DC
Temperature-Coefficient Isc	+0.07%/°C
Temperature-Coefficient Uoc	-0.36%/°C
Temperature-Coefficient Pmpp	-0.43%/°C
Normal Operating Cell Temperature	45°C
Cell efficiency	17%
Module efficiency	11.2%
Product Certificate	TUV(IEC 61215, IEC 61730), CE, ROHS
Company Certificate	ISO9001, ISO14001, ISO18001

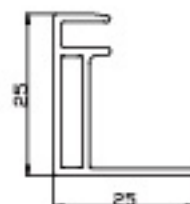
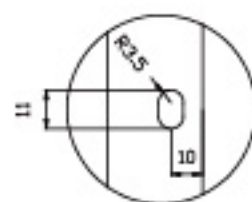
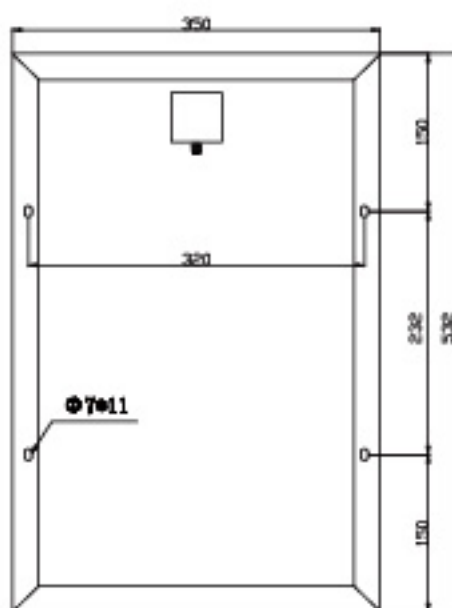
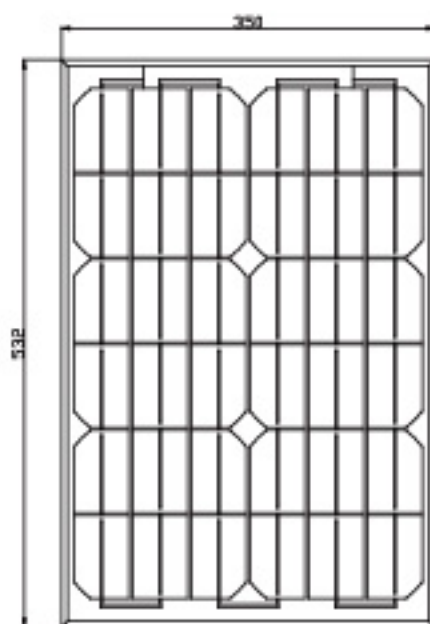


ERA SOLAR and the ERA SOLAR logo are trademarks or registered trademarks of ERA SOLAR Corporation.
September 2015 ERA SOLAR Corporation. All rights reserved. Specifications included in this datasheet are subject to change without notice.



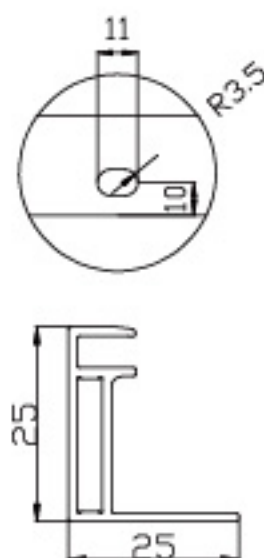
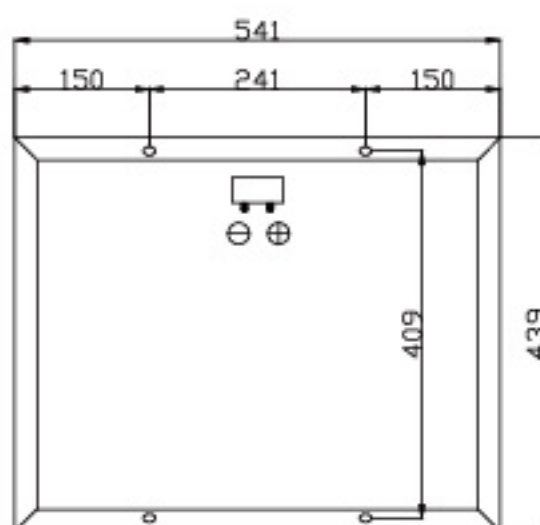
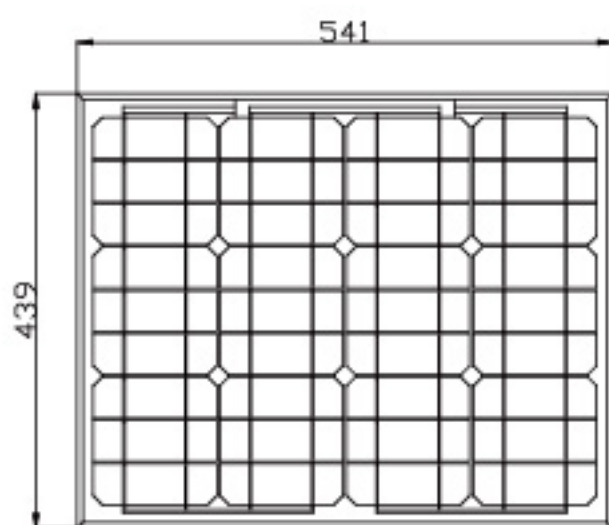
Specifications

Size of module	532x350x25mm
Cell Type	MONO CELL 78x52mm
Number of cells	36(6x6)
Maximum Power(Wp)	25W
Tolerance of Power(%)	±3%
Open circuit Voltage(Voc)	22.5V
Short circuit Current(Isc)	1.475A
Maximum Power Voltage(Vm)	18.2V
Maximum Power Current(Imp)	1.375A
Maximum Series Fuse	0A
Number of Diode	0
Cable type and Length	without cable
Standard Test Conditions	1000W/M ² , 25°C, AM1.5
Maximum System Voltage	1000V/DC
Temperature-Coefficient Isc	+0.02973%/°C
Temperature-Coefficient Uoc	-0.38038%/°C
Temperature-Coefficient Pmp	-0.57402%/°C
Normal Operating Cell Temperature	45°C
Cell efficiency	18.4%
Module efficiency	13.4%
Product Certificate	TUV(IEC 61215, IEC 61730), CE, ROHS
Company Certificate	ISO9001, ISO14001, ISO18001



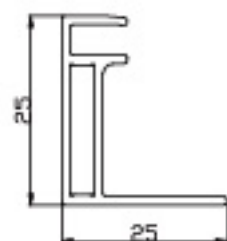
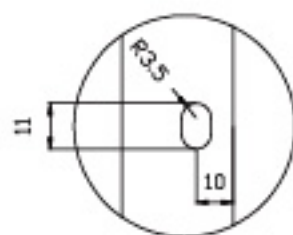
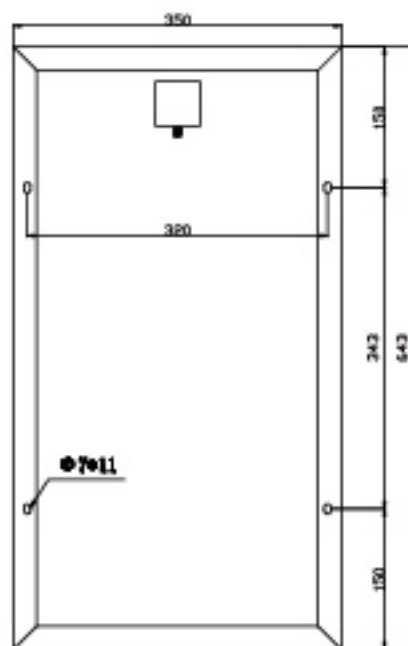
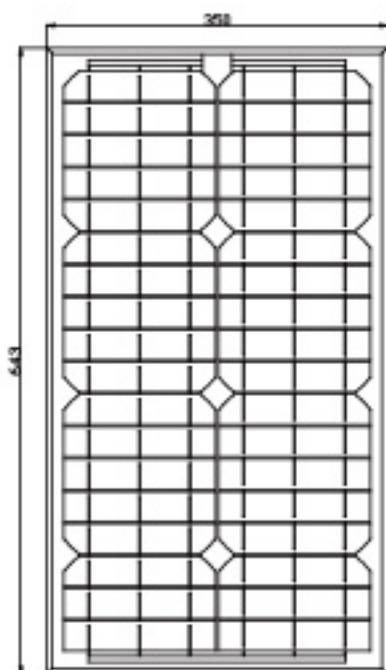
Specifications

Size of module	439x541x25mm
Cell Type	MONO CELL 41.67x125mm
Number of cells	36(4x9)
Maximum Power(Wp)	30W
Tolerance of Power(%)	±3%
Open circuit Voltage(Voc)	21.8V
Short circuit Current(Isc)	1.85A
Maximum Power Voltage(Vm)	17.85V
Maximum Power Current(Imp)	1.69A
Maximum Series Fuse	0A
Number of Diode	0
Cable type and Length	without cable
Standard Test Conditions	1000W/M ² , 25°C, AM1.5
Maximum System Voltage	1000V/DC
Temperature-Coefficient Isc	+0.07%/°C
Temperature-Coefficient Uoc	-0.36%/°C
Temperature-Coefficient Pmp	-0.43%/°C
Normal Operating Cell Temperature	45°C
Cell efficiency	17%
Module efficiency	12.6%
Product Certificate	TUV(IEC 61215, IEC 61730), CE, ROHS
Company Certificate	ISO9001, ISO14001, ISO18001



Specifications

Size of module	643x350x25mm
Cell Type	MONO CELL 31.2x156mm
Number of cells	36(2x18)
Maximum Power(Wp)	30W
Tolerance of Power(%)	±3%
Open circuit Voltage(Voc)	22.5V
Short circuit Current(Isc)	1.77A
Maximum Power Voltage(Vm)	18.2V
Maximum Power Current(Imp)	1.65A
Maximum Series Fuse	0A
Number of Diode	0
Cable type and Length	without cable
Standard Test Conditions	1000W/M ² , 25°C, AM1.5
Maximum System Voltage	1000V/DC
Temperature-Coefficient Isc	+0.02973%/°C
Temperature-Coefficient Uoc	-0.38038%/°C
Temperature-Coefficient Pmpp	-0.57402%/°C
Normal Operating Cell Temperature	45°C
Cell efficiency	18.4%
Module efficiency	13.3%
Product Certificate	TUV(IEC 61215, IEC 61730), CE, ROHS
Company Certificate	ISO9001, ISO14001, ISO18001

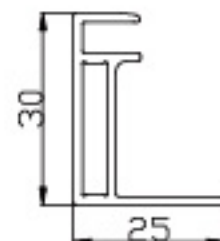
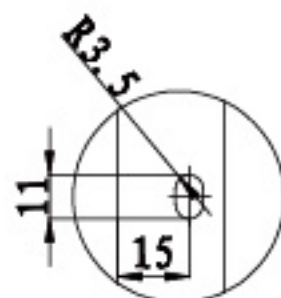
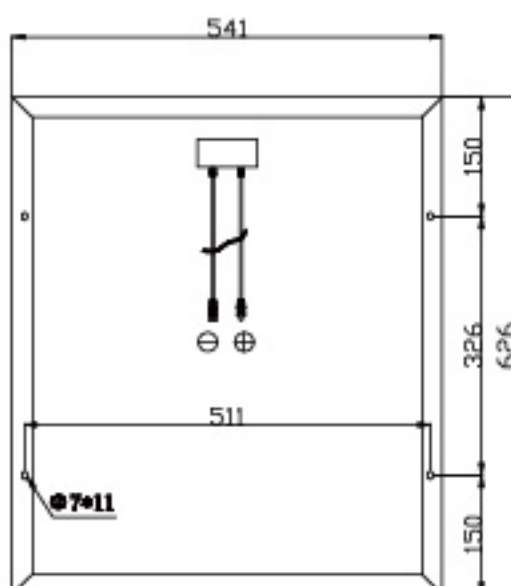
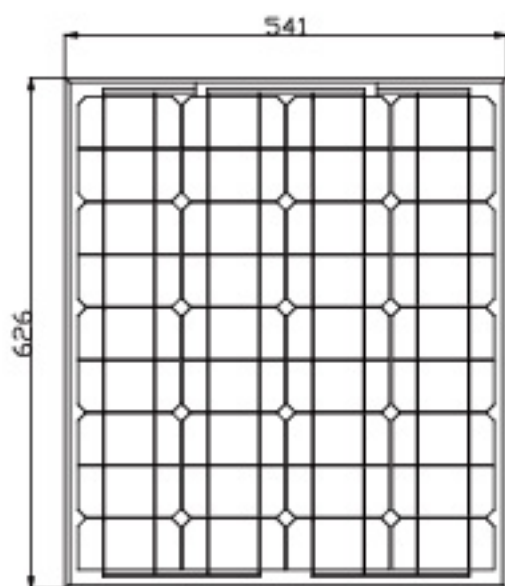


ERA SOLAR and the ERA SOLAR logo are trademarks or registered trademarks of ERA SOLAR Corporation.
September 2015 ERA SOLAR Corporation. All rights reserved. Specifications included in this datasheet are subject to change without notice.



Specifications

Size of module	626x541x30mm
Cell Type	MONO CELL62.5x125mm
Number of cells	36(4x9)
Maximum Power(Wp)	45W
Tolerance of Power(%)	±3%
Open circuit Voltage(Voc)	21.8V
Short circuit Current(Isc)	2.77A
Maximum Power Voltage(Vm)	17.85V
Maximum Power Current(Imp)	2.53A
Maximum Series Fuse	10A
Number of Diode	2
Cable type and Length	2.5mm ² ,80cm
Standard Test Conditions	1000W/M ² ,25°C,AM1.5
Maximum System Voltage	1000V/DC
Temperature-Coefficient Isc	+0.07%/°C
Temperature-Coefficient Uoc	-0.36%/°C
Temperature-Coefficient Pmpp	-0.43%/°C
Normal Operating Cell Temperature	45°C
Cell efficiency	17%
Module efficiency	13.2%
Product Certificate	TUV(IEC 61215,IEC 61730),CE,ROHS
Company Certificate	ISO9001,ISO14001,ISO18001

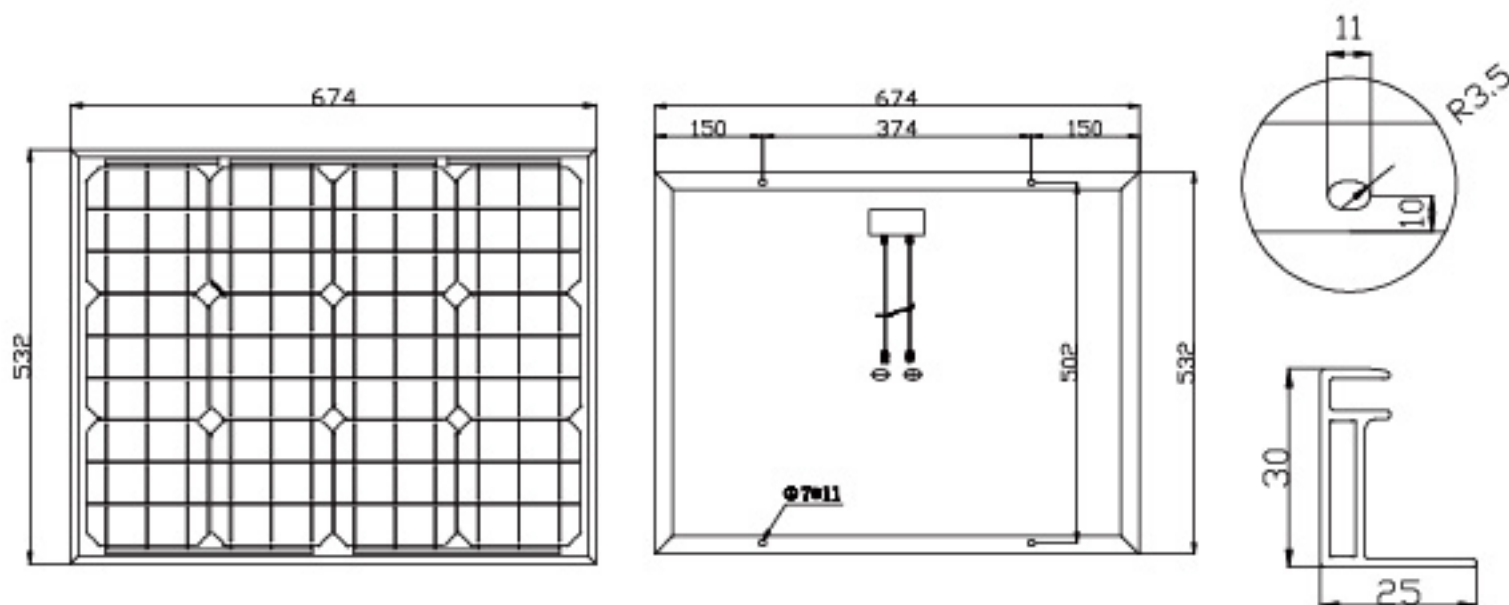


ERA SOLAR and the ERA SOLAR logo are trademarks or registered trademarks of ERA SOLAR Corporation.
September 2015 ERA SOLAR Corporation. All rights reserved. Specifications included in this datasheet are subject to change without notice.



Specifications

Size of module	532x674x30mm
Cell Type	MONO CELL 52x156mm
Number of cells	36(4x9)
Maximum Power(Wp)	50W
Tolerance of Power(%)	±3%
Open circuit Voltage(Voc)	22.5V
Short circuit Current(Isc)	2.95A
Maximum Power Voltage(Vm)	18.2V
Maximum Power Current(Imp)	2.75A
Maximum Series Fuse	10A
Number of Diode	2
Cable type and Length	2.5mm ² ,80cm
Standard Test Conditions	1000W/M ² ,25℃,AM1.5
Maximum System Voltage	1000V/DC
Temperature-Coefficient Isc	+0.02973%/℃
Temperature-Coefficient Uoc	-0.38038%/℃
Temperature-Coefficient Pmpp	-0.57402%/℃
Normal Operating Cell Temperature	45℃
Cell efficiency	18.4%
Module efficiency	13.9%
Product Certificate	TUV(IEC 61215,IEC 61730),CE,ROHS
Company Certificate	ISO9001,ISO14001,ISO18001

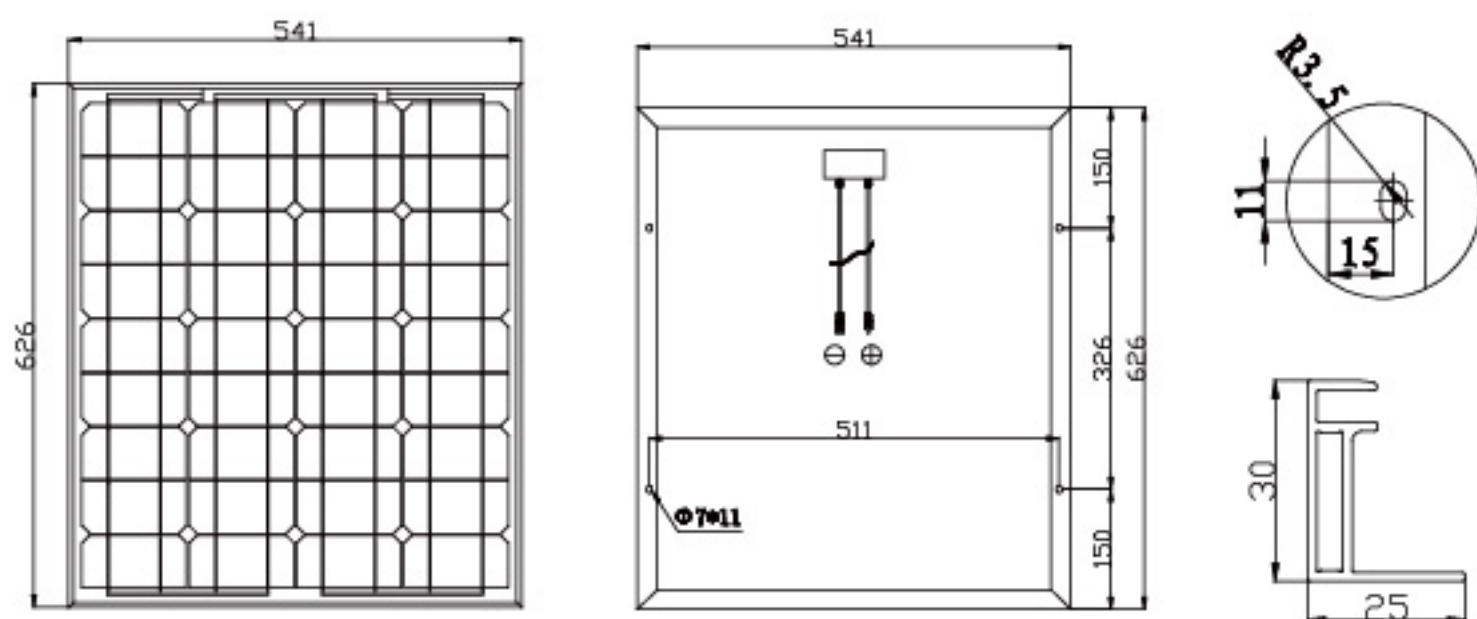


ERA SOLAR and the ERA SOLAR logo are trademarks or registered trademarks of ERA SOLAR Corporation.
September 2015 ERA SOLAR Corporation. All rights reserved. Specifications included in this datasheet are subject to change without notice.



Specifications

Size of module	626x541x30mm
Cell Type	MONO CELL62.5x125mm
Number of cells	36(4x9)
Maximum Power(Wp)	50W
Tolerance of Power(%)	±3%
Open circuit Voltage(Voc)	22.8V
Short circuit Current(Isc)	2.95A
Maximum Power Voltage(Vm)	18.2V
Maximum Power Current(Imp)	2.75A
Maximum Series Fuse	10A
Number of Diode	2
Cable type and Length	2.5mm ² ,80cm
Standard Test Conditions	1000W/M ² ,25°C,AM1.5
Maximum System Voltage	1000V/DC
Temperature-Coefficient Isc	+0.07%/°C
Temperature-Coefficient Uoc	-0.36%/°C
Temperature-Coefficient Pmpp	-0.43%/°C
Normal Operating Cell Temperature	45°C
Cell efficiency	18.8%
Module efficiency	14.7%
Product Certificate	TUV(IEC 61215,IEC 61730),CE,ROHS
Company Certificate	ISO9001,ISO14001,ISO18001

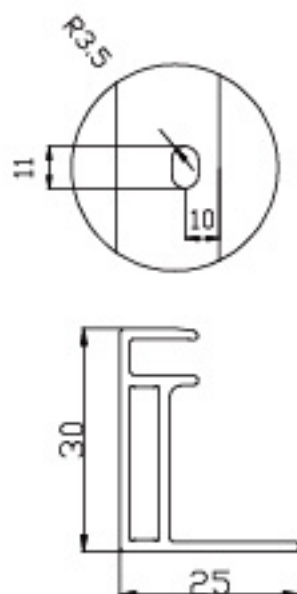
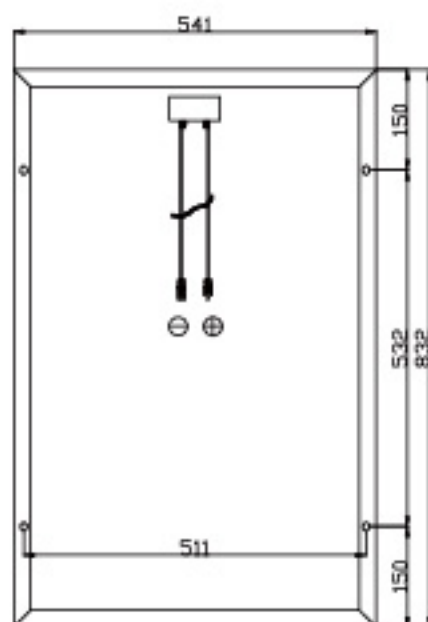
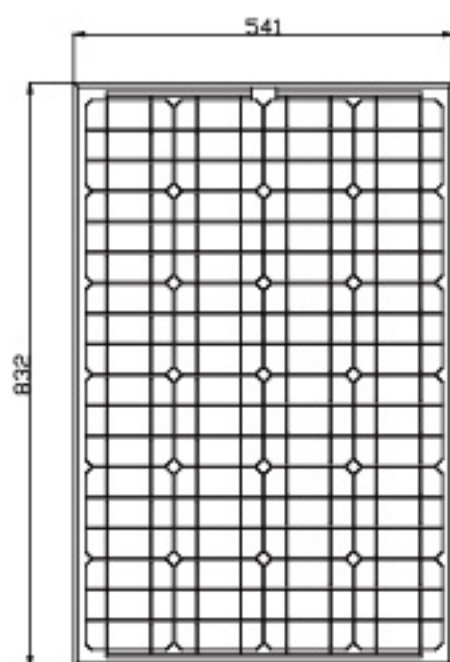


ERA SOLAR and the ERA SOLAR logo are trademarks or registered trademarks of ERA SOLAR Corporation.
September 2015 ERA SOLAR Corporation. All rights reserved. Specifications included in this datasheet are subject to change without notice.



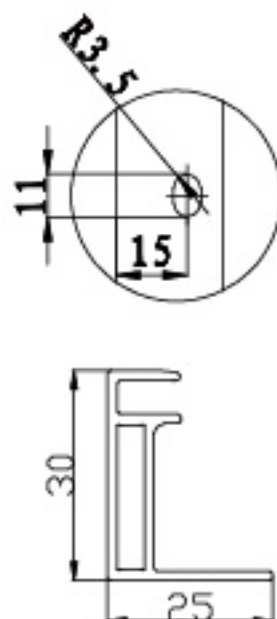
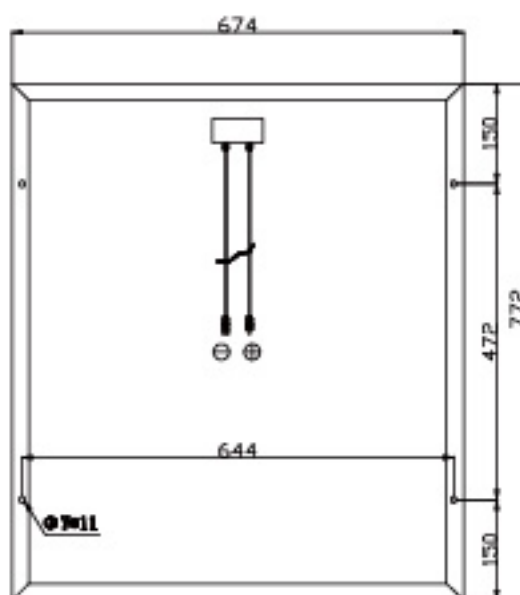
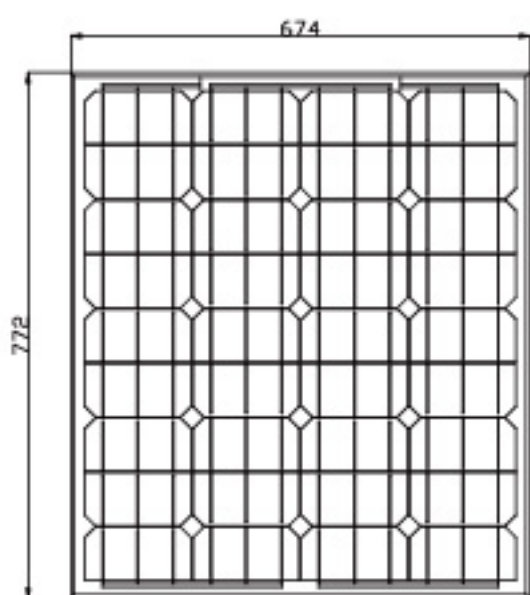
Specifications

Size of module	832x541x30mm
Cell Type	MONO CELL41.67x125mm
Number of cells	72(4x18)
Maximum Power(Wp)	60W
Tolerance of Power(%)	±3%
Open circuit Voltage(Voc)	21.8V
Short circuit Current(Isc)	3.65A
Maximum Power Voltage(Vm)	17.85V
Maximum Power Current(Imp)	3.37A
Maximum Series Fuse	10A
Number of Diode	2
Cable type and Length	2.5mm ² ,80cm
Standard Test Conditions	1000W/M ² ,25°C,AM1.5
Maximum System Voltage	1000V/DC
Temperature-Coefficient Isc	+0.07%/°C
Temperature-Coefficient Uoc	-0.36%/°C
Temperature-Coefficient Pmpp	-0.43%/°C
Normal Operating Cell Temperature	45°C
Cell efficiency	17%
Module efficiency	13.3%
Product Certificate	TUV(IEC 61215,IEC 61730),CE,ROHS
Company Certificate	ISO9001,ISO14001,ISO18001



Specifications

Size of module	766x874x30mm
Cell Type	MONO CELL 78x156mm
Number of cells	36(4x9)
Maximum Power(Wp)	75W
Tolerance of Power(%)	±3%
Open circuit Voltage(Voc)	22.5V
Short circuit Current(Isc)	4.43A
Maximum Power Voltage(Vm)	18.2V
Maximum Power Current(Imp)	4.13A
Maximum Series Fuse	10A
Number of Diode	2
Cable type and Length	2.5mm ² ,80cm
Standard Test Conditions	1000W/M ² ,25°C,AM1.5
Maximum System Voltage	1000V/DC
Temperature-Coefficient Isc	+0.02973%/°C
Temperature-Coefficient Uoc	-0.38038%/°C
Temperature-Coefficient Pmpp	-0.57402%/°C
Normal Operating Cell Temperature	45°C
Cell efficiency	18.4%
Module efficiency	14.5%
Product Certificate	TUV(IEC 61215,IEC 61730),CE,ROHS
Company Certificate	ISO9001,ISO14001,ISO18001

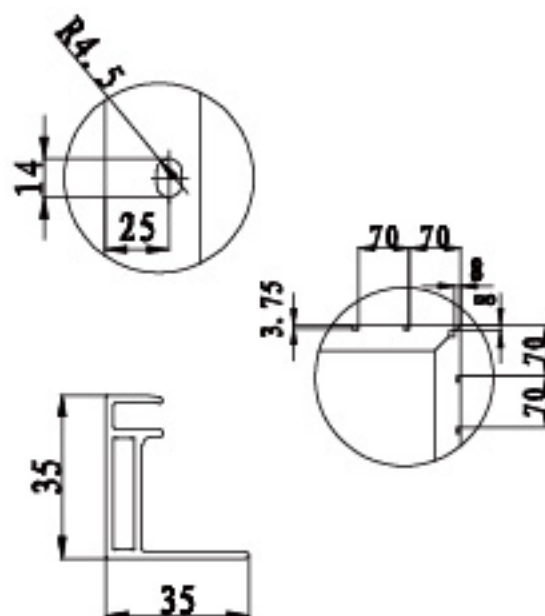
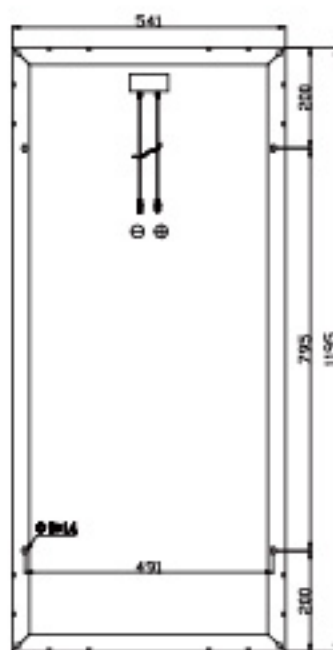
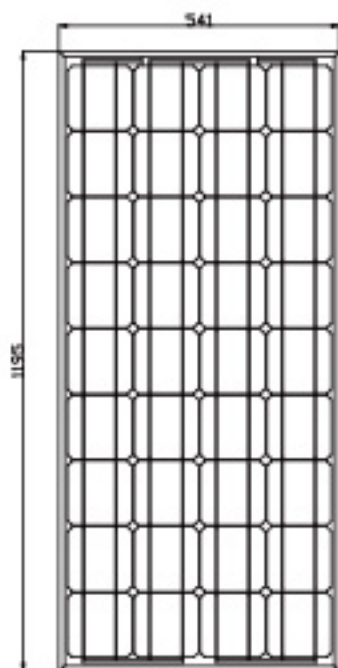


ERA SOLAR and the ERA SOLAR logo are trademarks or registered trademarks of ERA SOLAR Corporation.
September 2015 ERA SOLAR Corporation. All rights reserved. Specifications included in this datasheet are subject to change without notice.



Specifications

Size of module	1195x541x35mm
Cell Type	MONO CELL 125x125mm
Number of cells	36(4x9)
Maximum Power(Wp)	85W
Tolerance of Power(%)	±3%
Open circuit Voltage(Voc)	21.8V
Short circuit Current(Isc)	5.15A
Maximum Power Voltage(Vm)	17.85V
Maximum Power Current(Imp)	4.77A
Maximum Series Fuse	10A
Number of Diode	2
Cable type and Length	4mm ² ,90cm
Standard Test Conditions	1000W/M ² ,25°C,AM1.5
Maximum System Voltage	1000V/DC
Temperature-Coefficient Isc	+0.07%/°C
Temperature-Coefficient Uoc	-0.36%/°C
Temperature-Coefficient Pmpp	-0.43%/°C
Normal Operating Cell Temperature	45°C
Cell efficiency	17%
Module efficiency	13.1%
Product Certificate	TUV(IEC 61215,IEC 61730),CE,ROHS
Company Certificate	ISO9001,ISO14001,ISO18001

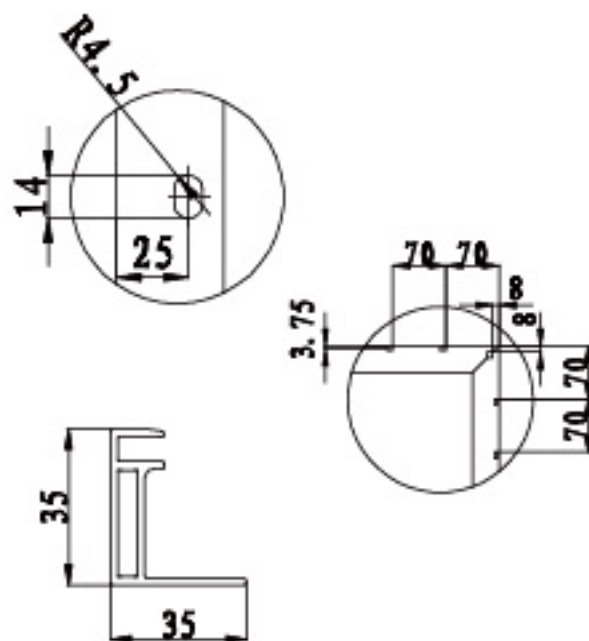
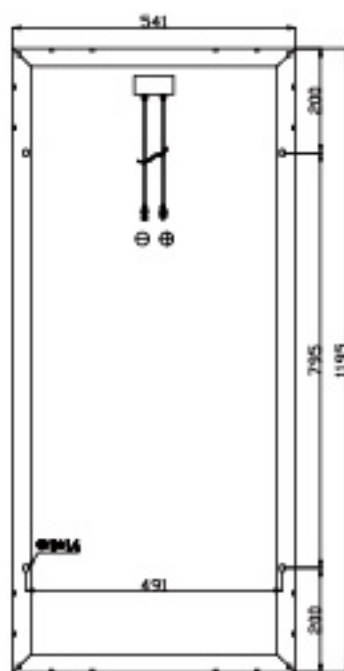
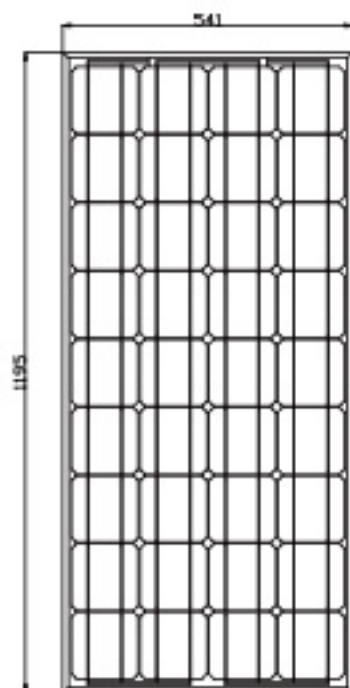


ERA SOLAR and the ERA SOLAR logo are trademarks or registered trademarks of ERA SOLAR Corporation.
September 2015 ERA SOLAR Corporation. All rights reserved. Specifications included in this datasheet are subject to change without notice.



Specifications

Size of module	1195x541x35mm
Cell Type	MONO CELL 125x125mm
Number of cells	36(4x9)
Maximum Power(Wp)	100W
Tolerance of Power(%)	±3%
Open circuit Voltage(Voc)	22.7V
Short circuit Current(Isc)	5.8A
Maximum Power Voltage(Vm)	18.35V
Maximum Power Current(Imp)	5.45A
Maximum Series Fuse	10A
Number of Diode	2
Cable type and Length	4mm ² ,90cm
Standard Test Conditions	1000W/M ² ,25°C,AM1.5
Maximum System Voltage	1000V/DC
Temperature-Coefficient Isc	+0.07%/°C
Temperature-Coefficient Uoc	-0.36%/°C
Temperature-Coefficient Pmpp	-0.43%/°C
Normal Operating Cell Temperature	45°C
Cell efficiency	18.8%
Module efficiency	15.4%
Product Certificate	TUV(IEC 61215,IEC 61730),CE,ROHS
Company Certificate	ISO9001,ISO14001,ISO18001

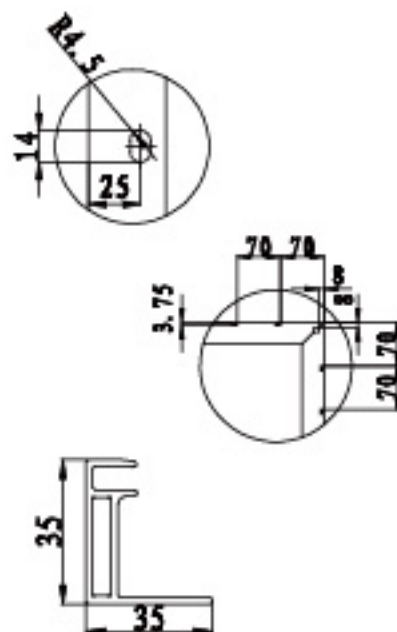
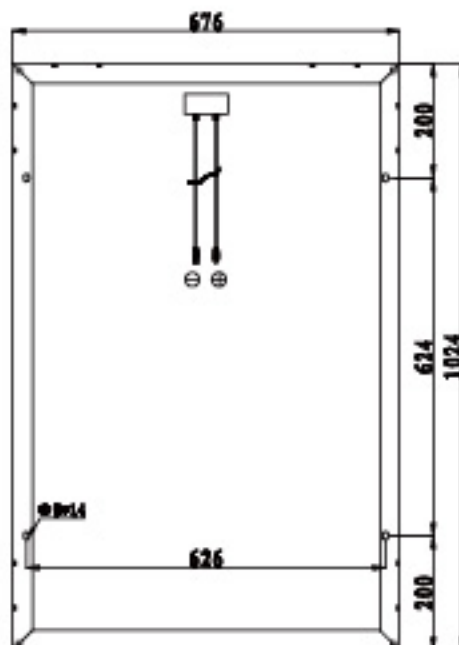
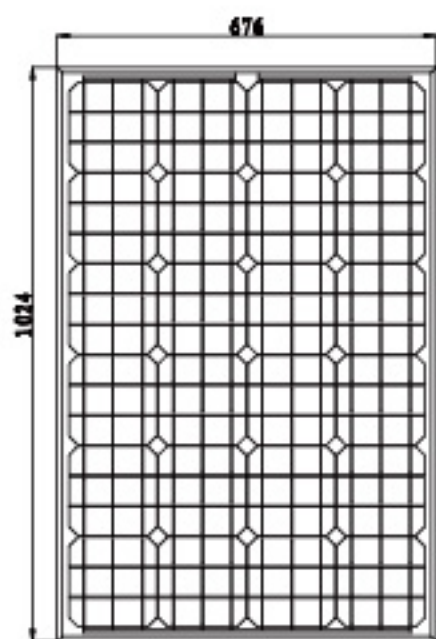


ERA SOLAR and the ERA SOLAR logo are trademarks or registered trademarks of ERA SOLAR Corporation.
September 2015 ERA SOLAR Corporation. All rights reserved. Specifications included in this datasheet are subject to change without notice.



Specifications

Size of module	1024x676x35mm
Cell Type	MONO CELL 52x156mm
Number of cells	72(4x18)
Maximum Power(Wp)	100W
Tolerance of Power(%)	±3%
Open circuit Voltage(Voc)	22.5V
Short circuit Current(Isc)	5.9A
Maximum Power Voltage(Vm)	18.2V
Maximum Power Current(Imp)	5.5A
Maximum Series Fuse	10A
Number of Diode	2
Cable type and Length	2.5mm ² ,80cm
Standard Test Conditions	1000W/M ² ,25°C,AM1.5
Maximum System Voltage	1000V/DC
Temperature-Coefficient Isc	+0.02973%/°C
Temperature-Coefficient Uoc	-0.38038%/°C
Temperature-Coefficient Pmpp	-0.57402%/°C
Normal Operating Cell Temperature	45°C
Cell efficiency	18.4%
Module efficiency	14.4%
Product Certificate	TUV(IEC 61215,IEC 61730),CE,ROHS
Company Certificate	ISO9001,ISO14001,ISO18001

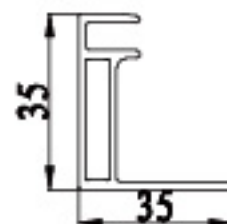
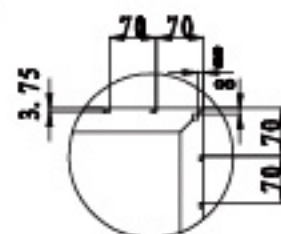
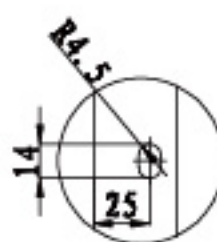
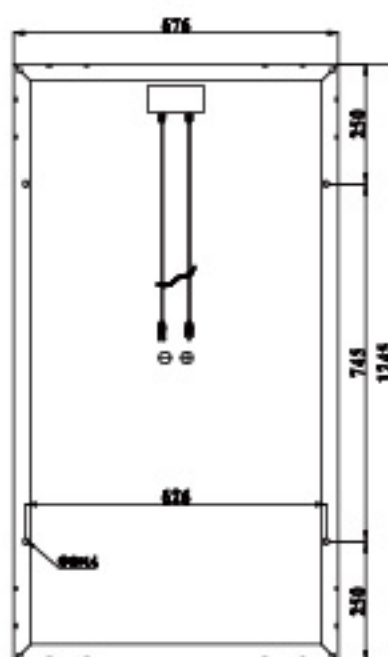
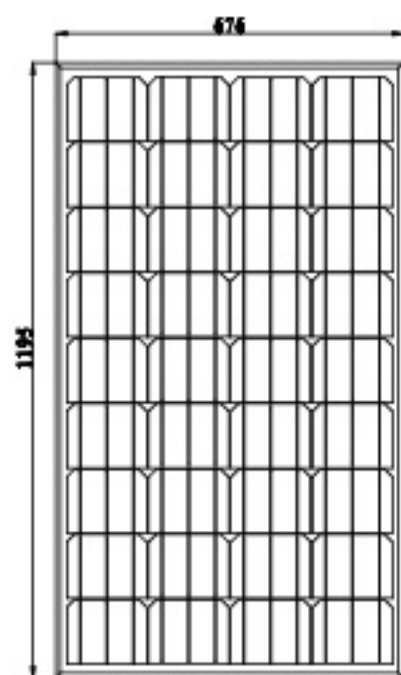


ERA SOLAR and the ERA SOLAR logo are trademarks or registered trademarks of ERA SOLAR Corporation.
September 2015 ERA SOLAR Corporation. All rights reserved. Specifications included in this datasheet are subject to change without notice.



Specifications

Size of module	1195x676x35mm
Cell Type	MONO CELL 124.8x156mm
Number of cells	36(4x9)
Maximum Power(Wp)	120W
Tolerance of Power(%)	±3%
Open circuit Voltage(Voc)	22.5V
Short circuit Current(Isc)	7.1A
Maximum Power Voltage(Vm)	18.2V
Maximum Power Current(Imp)	6.6A
Maximum Series Fuse	10A
Number of Diode	2
Cable type and Length	4mm ² ,90cm
Standard Test Conditions	1000W/M ² ,25°C,AM1.5
Maximum System Voltage	1000V/DC
Temperature-Coefficient Isc	+0.02973%/°C
Temperature-Coefficient Uoc	-0.38038%/°C
Temperature-Coefficient Pmpp	-0.57402%/°C
Normal Operating Cell Temperature	45°C
Cell efficiency	18.4%
Module efficiency	14.8%
Product Certificate	TUV(IEC 61215,IEC 61730),CE,ROHS
Company Certificate	ISO9001,ISO14001,ISO18001

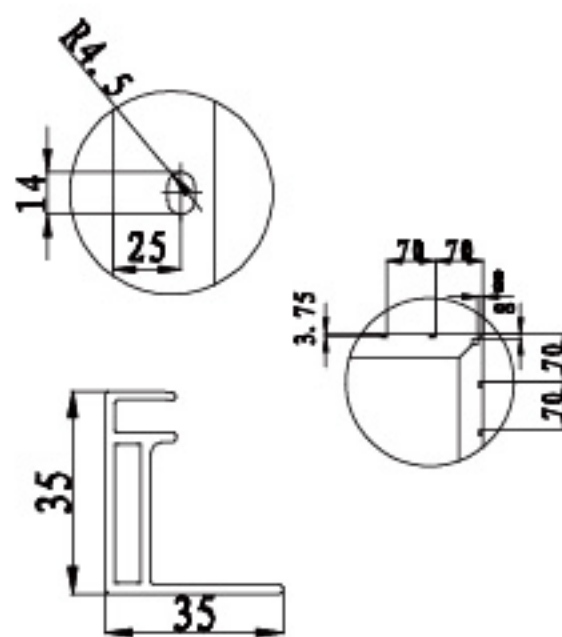
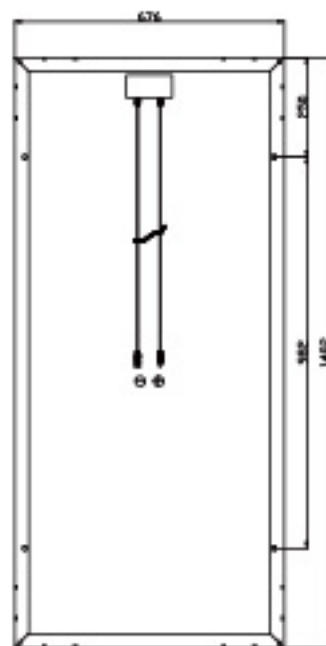
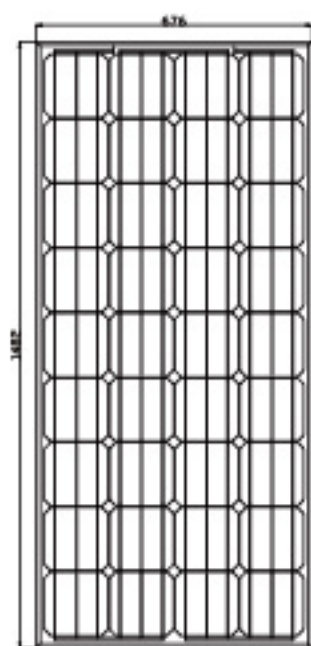


ERA SOLAR and the ERA SOLAR logo are trademarks or registered trademarks of ERA SOLAR Corporation.
September 2015 ERA SOLAR Corporation. All rights reserved. Specifications included in this datasheet are subject to change without notice.



Specifications

Size of module	1482x676x35mm
Cell Type	MONO CELL 156x156mm
Number of cells	36(4x9)
Maximum Power(Wp)	150W
Tolerance of Power(%)	±3%
Open circuit Voltage(Voc)	22.5V
Short circuit Current(Isc)	8.85A
Maximum Power Voltage(Vm)	18.2V
Maximum Power Current(Imp)	8.25A
Maximum Series Fuse	10A
Number of Diode	2
Cable type and Length	4mm ² ,90cm
Standard Test Conditions	1000W/M ² ,25℃,AM1.5
Maximum System Voltage	1000V/DC
Temperature-Coefficient Isc	+0.02973%/℃
Temperature-Coefficient Uoc	-0.38038%/℃
Temperature-Coefficient Pmpp	-0.57402%/℃
Normal Operating Cell Temperature	45℃
Cell efficiency	18.4%
Module efficiency	14.9%
Product Certificate	TUV(IEC 61215,IEC 61730),CE,ROHS
Company Certificate	ISO9001,ISO14001,ISO18001



ERA SOLAR and the ERA SOLAR logo are trademarks or registered trademarks of ERA SOLAR Corporation.
September 2015 ERA SOLAR Corporation. All rights reserved. Specifications included in this datasheet are subject to change without notice.

