

1100V Three-phase On-grid String Inverter

SPI100K-B/SPI110K-B/SPI125K-B



Product Features

High efficient

- Advanced three-level technology max. efficiency 98.8%
- **9 MPPTs** design, compatible with bifacial PV panel
- Anti-PID and PID recovery function

System optimization

- DC 2 in 1 connection enabled and compatible with AI AC cables
- PLC communication optional, save cable investment
- Night SVG and quick response

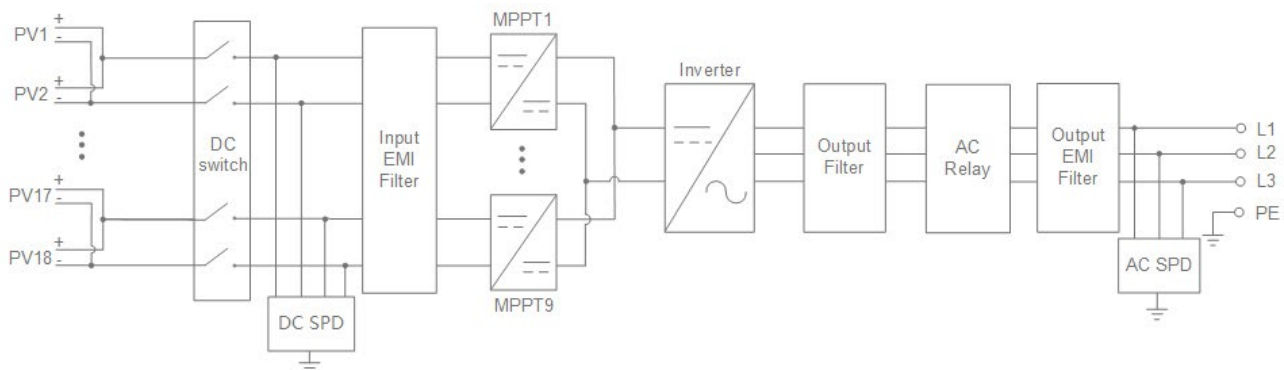
Safe and reliable

- IP66 and C5 anti-corrosion grade, intelligent fan with IP68 protection
- Redundant power supply by AC and DC
- Built-in AC / DC SPD protection

Intelligent management

- Intelligent I-V and fault wave recording, quick failure analysis
- Smart online upgrade, easy for system maintenance
- Capacitor detection and life prediction reduce the failure risk

Function Diagram



Technical Specification

Items	SPI100K-B	SPI110K-B	SPI125K-B
DC Input			
Max. PV input voltage	1100Vdc		
Max. PV input current	270A		
No. of MPPTs	9 / 6 (optional)		
No. of PV strings per MPPT	2		
MPPT voltage range	200Vdc~1000Vdc		
Starting voltage	250Vdc		
MPPT efficiency	99.90%		
AC Output			
Rated AC output power	100kW	110kW	125kW
Max. output power	100kW / 110kVA	121kW / 121kVA	137.5kW / 137.5kVA
Rated AC output voltage	400Vac		
Rated output current	144.3A	158.8A	180.4A
Max. output current	158.8A	174.7A	198.5A
Rated grid frequency	50/60Hz		
Grid frequency range	45~55Hz/55~65Hz		
Power factor	>0.99 (rated power)		
Adjustable power factor	+0.8~-0.8		
THDi	<3% (rated power)		
Efficiency			
Max. efficiency	98.8%		
European efficiency	98.5%		
Protection			
Anti-islanding	Yes		
DC reversed connection	Yes		
AC short circuit protection	Yes		
Temperature protection	Yes		
Surge protection	Yes		
PV fault detect	Yes		
DC switch	Yes		
Anti-PID and PID recovery function	Optional		
General			
Dimensions (W×H×D)	1030×610×345mm		
Weight	80kg		
IP grade	IP66		
Self-consumption at night	<2W		
Cooling type	Intelligent forced air cooling		
Altitude	4000m (>3000m derating)		
Operating temperature	-35~60°C		
Relative humidity	0~100%		
Display	LED+ Bluetooth (APP)		
Communication	RS485/WIFI (optional)/GPRS (optional)		
DC terminal	MC4		
AC terminal	OT/DT Terminal (maximum 240mm ²)		
Installation method	Wall-mounted		
Standard	NB/T32004-2018, GB/T37408-2019, IEC62109-1, IEC62109-2, IEC61727, IEC62116, IEC61683, EN50549, CEI		

- Specifications are subject to change without prior notice.

Kehua Tech

Add: No. 457, Malong Road, Torch High-Tech Industrial Zone, Xiamen Fujian China

Tel: +86-592-5160516 Fax: +86-592-5162166 www.kehua.com

