

SOLAR SERVICES

OUR ENGINEERING OFFICE

FREE TRAINING

an assistance offered on our product to launch your first project (either on-site or via skype).

AN IN DEPTH-STUDY OF YOUR PROJECT

our R&D department can offer you a **custom-made product**. Our expert engagement is to make you an offer within 48 hours.

AN OPTIMIZED STUDY

detailed plans are made to answer all projects requirements, our expertise's will ensure our solution is perfectly adapted to the building site constraints and to all regulatory requirements.

A PRIVILEGED ASSISTANCE

Our team provide an assistance through all needed procedures in particular if your project requires some validation by the Inspection office.

THE SOLAR CLUB SERVICE

As a Dome Solar customer, you can access freely, the SOLAR CLUB SERVICE in order to get some added services and many privileges.

NOTA

📍 | Dome Solar - 3 rue Marie Anderson
44 400 Rezé

☎ | Tél. +33 (0)2 40 67 92 92

✉ | info@dome-solar.com

www.dome-solar.com

OUR PARTNERS

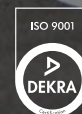
HÉLIOS RC3

PHOTOVOLTAIC
SHADE STRUCTURE

CARPORTS
RANGE

HÉLIOS RC3

Document printed in France, with vegetable inks, on paper from sustainably managed forests, by Goubault Impprimeur certified ISO 14 001. DANZÉ®



DOME
SOLAR
PHOTOVOLTAIC MOUNTING SOLUTIONS

THE SOLUTION

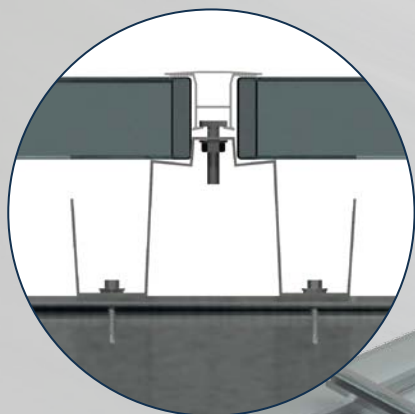
HÉLIOS RC3 enables fast and simple installation of a photovoltaic generator on a shade structure, fixed from below.

QUALITY

Sturdy and reliable solution, with an extra-flat aluminum hood, an anti-corrosion reinforced steel rail and quarter turn fixing screws.

SIMPLICITY

The system creates a waterproof roof without underside for perfect ventilation of modules. Installation from below so no need to access on or under the modules and maintenance is facilitated.



HÉLIOS RC3

TECHNICAL CHARACTERISTICS

USE CONDITIONS

Shade structure

POSITION DU MODULE

Landscape or portrait mode

MATERIAL

Aluminum and steel

SYSTEM WEIGHT

5 kg/m² excluding the module

SUPPORTING STRUCTURE

Metal or wood frameworks

SYSTEM COMPONENTS

Steel rail, aluminum hood, steel cross-piece and stop bar
Steel/stainless steel screw

OPTION

Module Grounding Connector

ETN

Assessment
of New
Techniques

MADE IN FRANCE

www.dome-solar.com