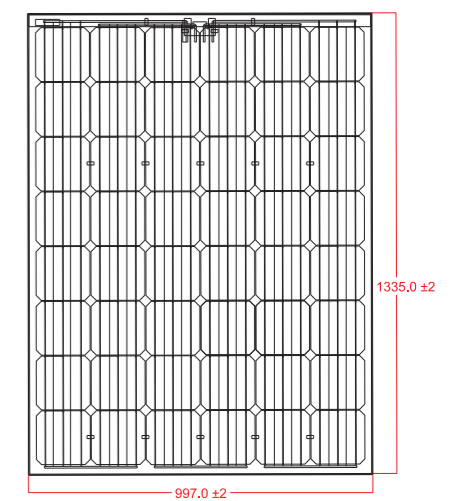
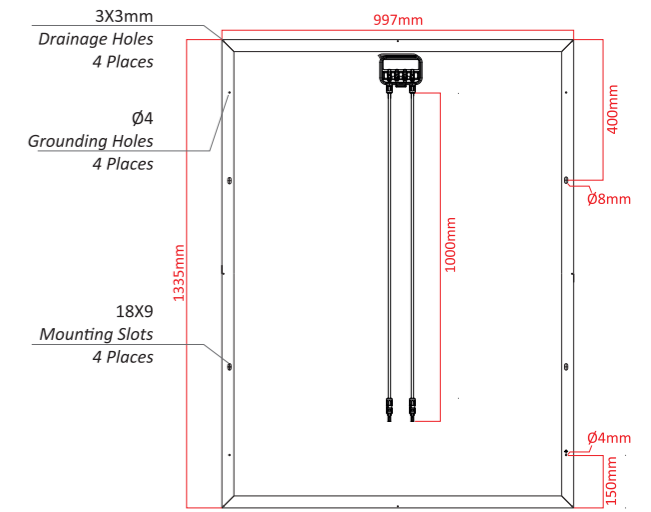


FRAME CAN BE MANUFACTURED WITH TWO DIFFERENT MEASUREMENT OPTIONS.



Electrical Data

MODEL	A3S48M 245	A3S48M 250	A3S48M 255	
P_{max}	Maximum Power	245	250	255
%	Module Efficiency	18,41	18,78	19,16
I_{mp} (A)	Maximum Power Current	9,30	9,34	9,36
I_{sc} (A)	Short Circuit Current	9,80	9,85	9,87
V_{mp} (V)	Maximum Power Voltage	26,35	26,77	27,25
V_{oc} (V)	Open Circuit Voltage	32,45	32,59	32,68

Technical Specifications

Mechanical Data

Subject	Specification
Dimensions	1335 ± 2 mm (L) x 997 ± 2 mm (W) x 42-35 0,5 mm (D)
Weight	17 Kg
Solar Cell	48 Monocrystalline Perc Type 6" Silicon Cells (156.75 mm x 156.75 mm)
Front Glass	Tempered / Tempered ARC Glass
Encapsulant	Ethylene Vinyl Acetate (EVA)
Backsheet	Composite Film, Color White
Junction Box	Tyco / Ekinler Certificate
Frame	Aluminium Frame (Eloxal Coating)

Operating Conditions

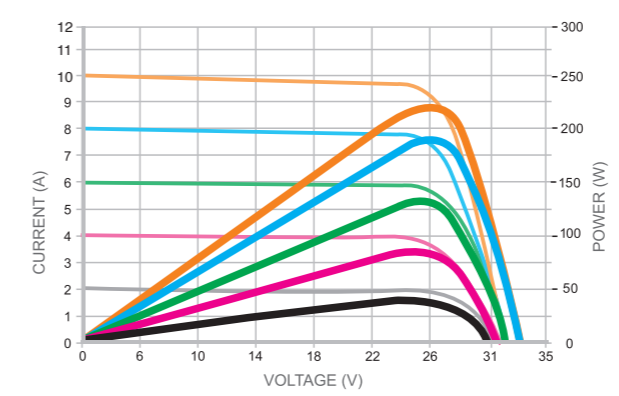
Subject	Specification
Mechanical Strength	5400 Pa (Certified By KIWA MEYER)
Maximum System Voltage	DC 1000 V / 1500 V
Series Fuse Rating	15 A
Operating Temperature	-40 to 85 °C

Temperature Characteristics

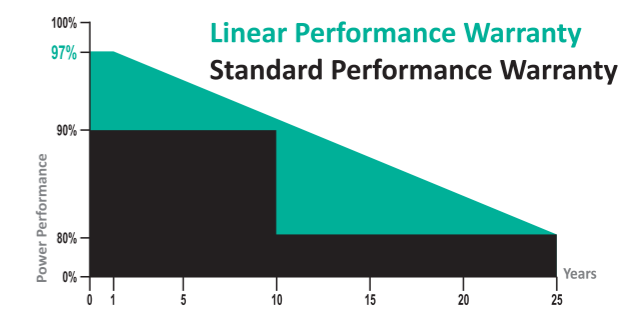
Subject	Specification
Nominal Operating Cell Temperature	44 °C ± 2 °C
Temperature Coefficient of P _{mp}	-0,37 % / °C
Temperature Coefficient of I _{sc}	+0,07 % / °C
Temperature Coefficient of V _{oc}	-0,31 % / °C

Warranty

Subject	Specification
Product Warranty	10 Years
Linear Performance Warranty	10 Years, over %90 - 25 Years, over %80
JIT Product	Warranty of selling panels that are produced in last on year.
Power Tolerance	Positive (+) 5 Watt
Online Datasheet on the panel	QR Code System



The typical relative change in module efficiency at irradiance of 200 W/m² in relation to 1000 W/m² (both at 25 °C and AM 1.5 spectrum) is less than 3 %.



Electroluminescence: Quality control for small microcracks with infrared radiation.

Sun Simulator: 1000 W/m² radiation, 25°C temperature, +5 positive power tolerance and classification according to power tolerance.

Salt Mist Test: According to IEC 61701 ed.2 Salt Resistance

Snow Load Test: Under 5400 Pa snow load resistance according to IEC 61215

Ammonia Corrosion Test: Corrosion resistance according to IEC 62716

PID Potential Induced Degradation: PID Resistance according to IEC 62804

Wind Load Test: Under 2400 Pa wind load resistance according to IEC 61215

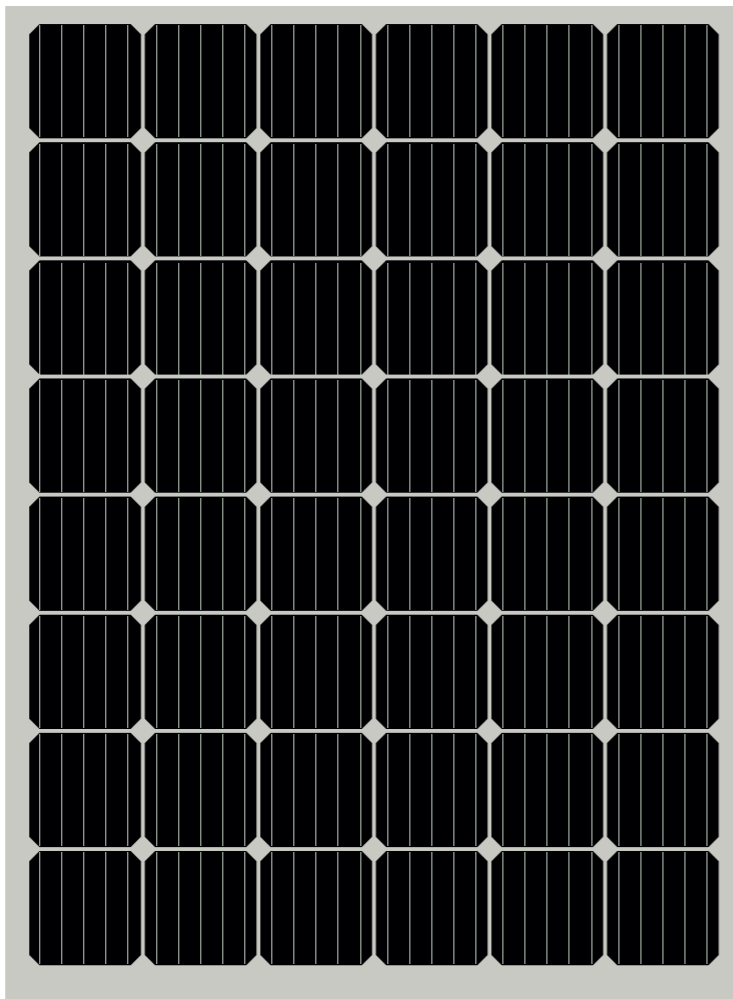
Thermal Cycles Damp Heat Test: 1000 hours damp heat and 200 thermal cycles according to IEC 61215

High Performance in Low Radiation : On cloudy days, morning and evening over %3 performance (200 w/m²)

FF % Fill Factor: High Fill Factor value, increased power.
Cell Power: Five bus bar, with high power.

QR Code System: Real power measurements of modules which have +5 power tolerance ease of viewing with QR Code.

JIT Just in Time Production: Production date is in panels glass, unchangeable and warranty of selling production in that are produced in last one year.



- ISO 9001
- ISO 14001
- ISO 18001
- IEC 61215-1
- IEC 61215-1-1
- IEC 61215-2
- IEC 61730-1
- IEC 61730-2
- IEC 61701
- IEC 62804
- IEC 62716
- OHSAS 18001

"LOCAL ITEM" MENTIONED
IN NUMBER 5346 YEK LAW

Turkey
Discover the potential

HIGH QUALITY CONTROL