

# Residential PV Inverter





**High-efficiency**

- 2 MPPTs
- High DC/AC ratio up to 1.5
- Max. DC voltage 550V
- Max. efficiency 98.59%



**Reliability**

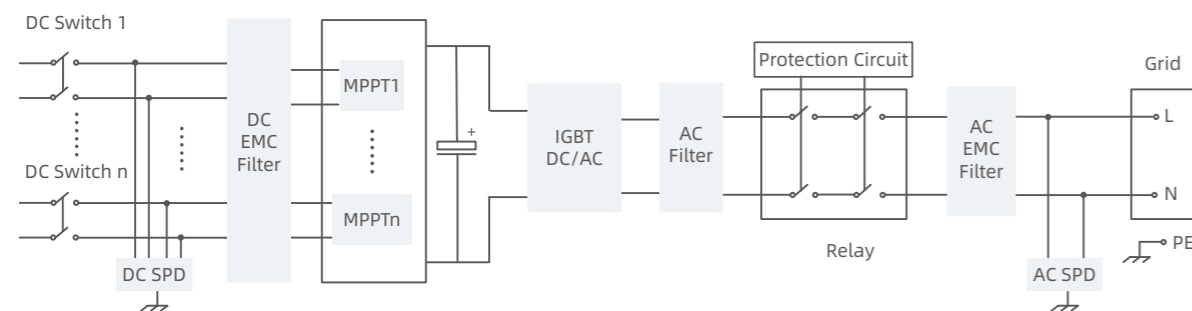
- IP65
- Mobile APP monitoring



**Safety**

- Anti-islanding protection
- Built-in AC and DC SPD

## Topological Graph



## Technical Parameters

Model		hopeSun 5KTL	hopeSun 6KTL	hopeSun 8KTL
DC Input	Max. DC Voltage	550V		
	Starting Voltage	140V		
	MPPT Voltage Range	90V~500V		
	MPPT Range Full Load	200V~480V	240V~480V	220V~480V
	Max. Input Current of Each MPPT	13A / 13A		25A / 13A
	Max. short-circuit current	19A / 19A		38A / 19A
	Number of DC Inputs	1 / 1		2 / 1
AC Output	MPPT Number	2		
	Rated Output Power	5kW	6kW	8kW
	Max. Active Power (cosθ=1)	5.5kW	6.6kW	8.8kW
	Rated Output Voltage	220V / 230V (Single-phase)		
	Operating Voltage Range	172.5V~276V		
	Max. Output Current	25A	30A	40A
	Rated Grid Frequency	50Hz / 60Hz		
	Power Factor	0.8 (Leading) ~ 0.8 (Lagging)		
	THD	<3%		
	System Parameters	Max. Efficiency	98.47%	98.55%
European Efficiency		98.00%		
AC/DC SPD		Yes		
Anti-Islanding Protection		Yes		
Insulation Impedance Detection		Yes		
Residual Leakage Current Detection		Yes		
PV String Fault Detection		Yes		
Output Overcurrent Protection		Yes		
Protection Degree		IP65		
Operating Temperature Range		-25°C ~ +60°C		
Cooling System		Natural Cooling		
Standby Power Consumption		<1W		
Topology		Transformerless		
Operating Altitude		4000m (Derating above 3000m)		
Display		LED Indicator + APP		
Communication		WiFi / GPRS / 4G		
Certification		IEC61683 / IEC62109 / IEC61000 / IEC62116 / IEC61727 / iNMETRO		
Mechanical Parameters	Dimensions (W*H*D)	325*380*177mm		
	Weight	≤14kg		