



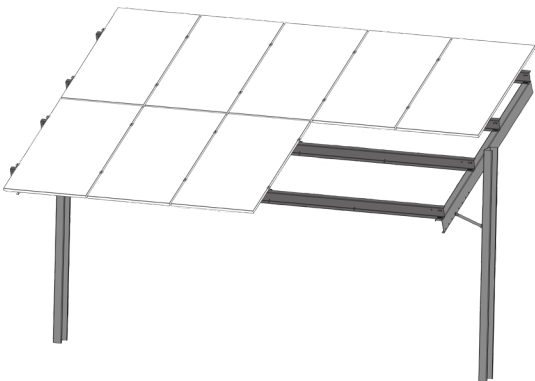
Atlas - Portrait

2 - High Post Driven Ground Mount

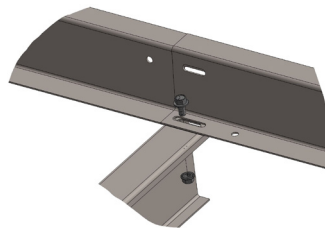
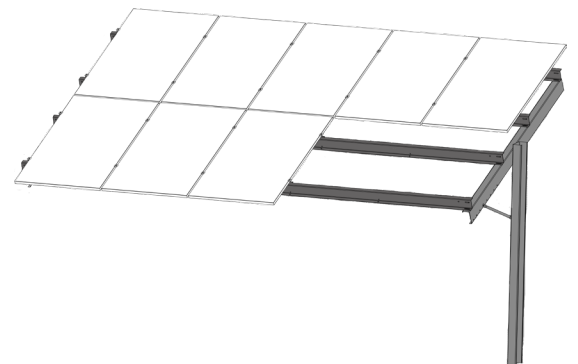
Superior Cost Savings

The Atlas is a fixed tilt ground mount solution designed for commercial and utility scale installations, with slide-in panel rails, pre-punched hole locations, UL 467 grounding mid clamps/end and only three major components. Atlas dramatically lowers overall project installation and racking costs by up to 30%.

Starter Section



Add-on Section



Purlin Attachment

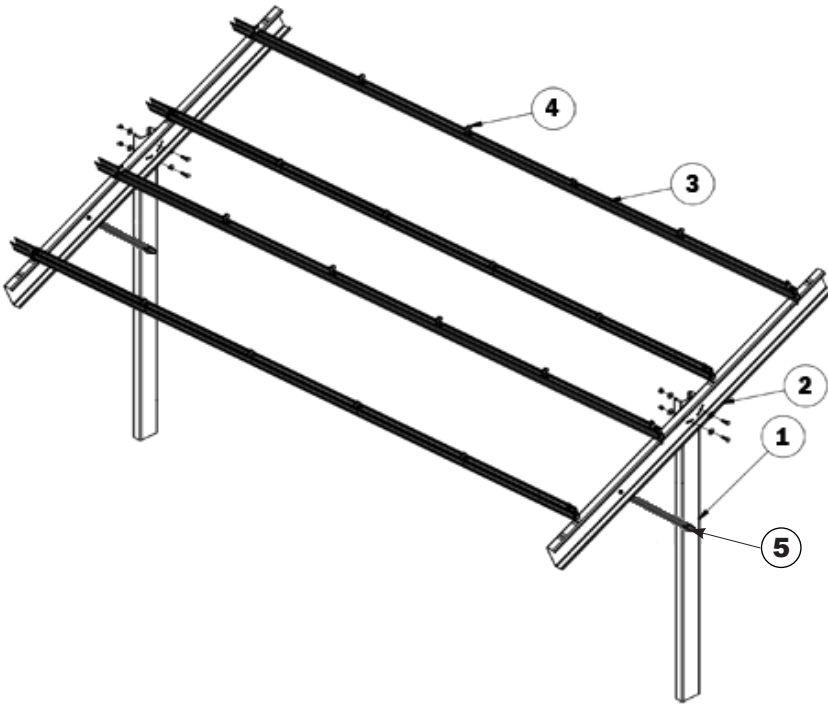
Key Features

- Only three main components
- Standard tilt angles 5° - 40°
- Accommodates terrain up to 7°
- UL 467 grounding mid clamp
- Mounts 60, 72, and 96 cell panels
- C-channel (standard), I-beam, helical, and screw posts
- Slide-in purlins for fast and easy installation
- Galvanized and hot-dipped steel construction

"Your Single Solar Source"

Atlas

2-High Post Driven Ground Mount



Technical Specifications

Application	Open Field Layout
Foundation	Pile Driven
Module Orientation	Portrait
Module Compatibility	All Major Brands - 60 & 72 Cell Modules
Tilt Angle Available	5° - 40°
Ground Clearance	Standard - 24"
Grade of Terrain	EW = 5°
Wind Load	Up to 125 MPH *
Snow Load	Up to 60 PSF *
Purlin Length	207"
Material Composition	Galvanized Steel G-90 - Post, Truss & Rails
Warranty	25 Years
Manufacturing	Made in USA

Major Components

1. C-Channel Post

Available in multiple lengths for various soils and height clearances. Post options include: helical, i-beam, ground screws, & hat shaped.

2. Stamped Truss

Pre-punched truss design allows for faster connection to post and multiple panel angle configurations. Includes 5° to 40° of tilt adjustment.

3. Stamped Z-Purlin

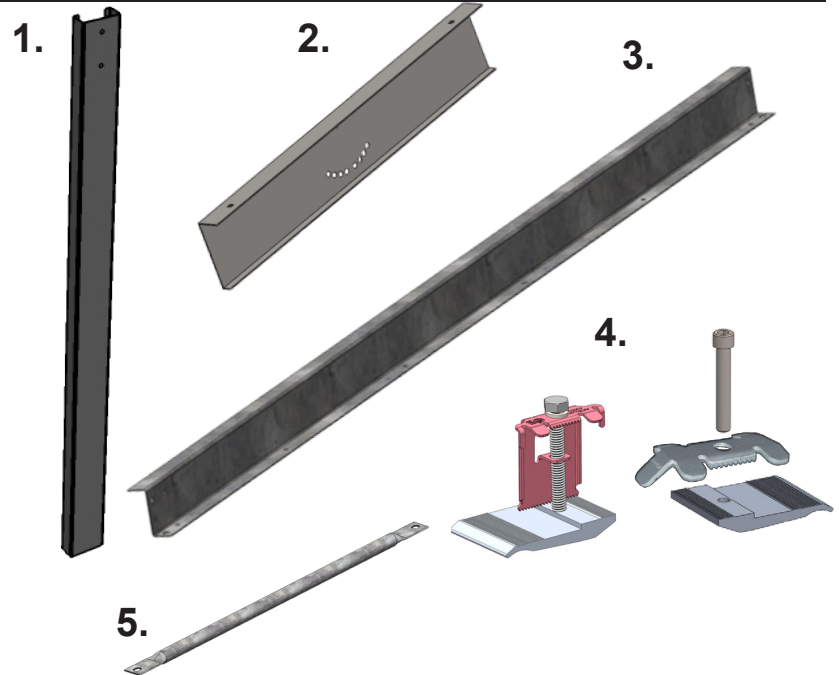
Quick assembly with easy adjustment. Swedge add-on Purlin into preceding Purlin section without the need for any additional assembly hardware or splice bar.

4. Panel Clamps

Clamp design allows for quick and easy assembly. Mid clamps feature integrated UL 467 grounding solution.

5. Truss Strut

Quick assembly with easy adjustment. Pre-punched struts align with existing holes for structural rigidity.



No.	Part	Starter Section	Add-On Section
1.	C-Channel Stamped Post	2 pcs	1 pc
2.	Stamped Truss	2 pcs	1 pc
3.	Stamped Z-Purlin 207", 11 Ga.	4 pcs	4 pcs
4.	Clamps with Grounding	24 pcs	24 pcs
5.	Truss Strut	2 pcs	1pc

All assembly hardware included.

*Snow loads are ground snow loads estimated at 7 deg.
 *Wind loads are estimated at 7 deg.
 *Loading is single factor snow only or wind only.
 *All specifications subject to change without notice.