

60CELL

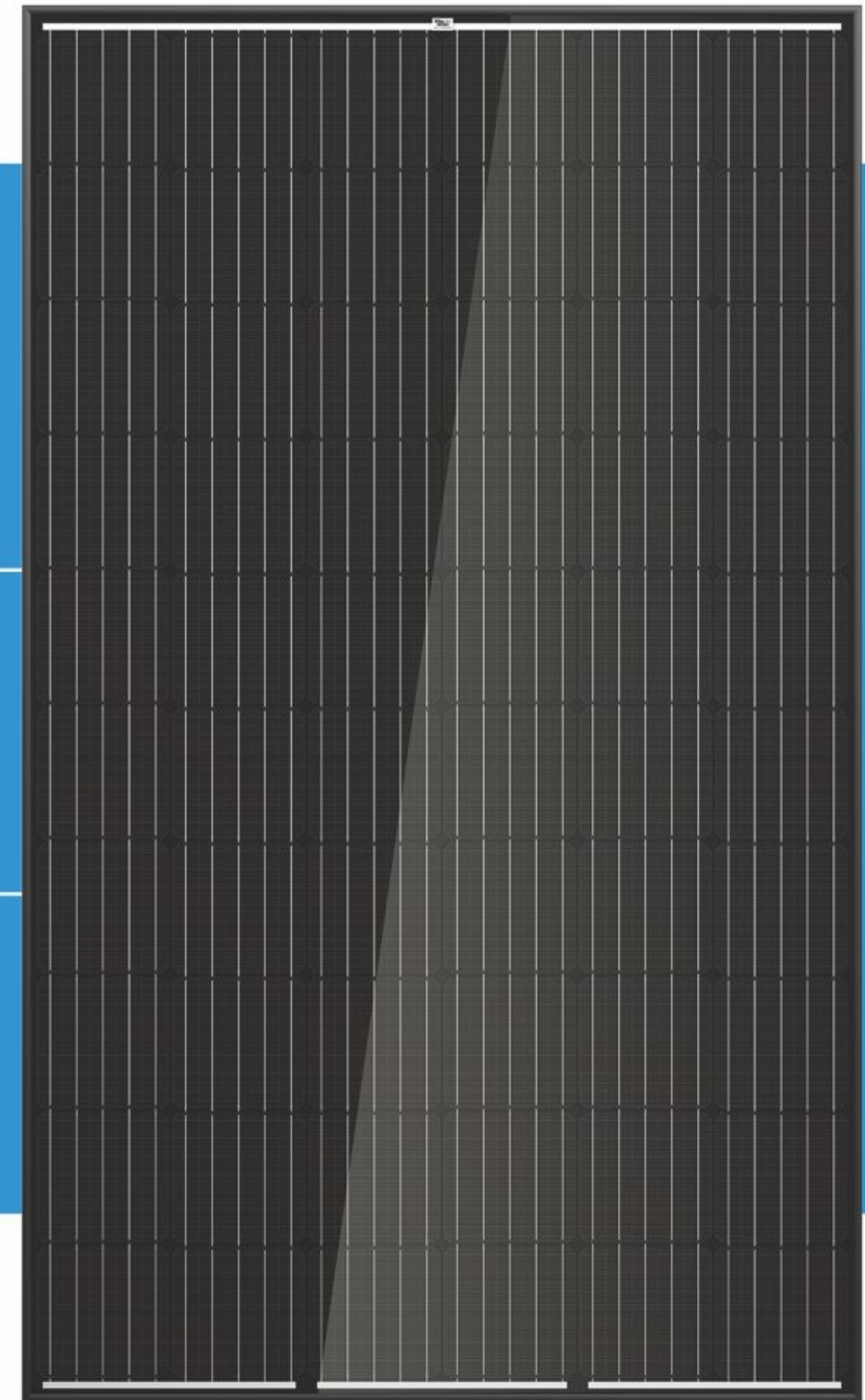
MONOCRYSTALLINE MODULE

280-315W

POWER OUTPUT RANGE

0~+5W

POSITIVE POWER T



Tunghsu persist Long-lasting and stable quality

- Advanced production equipment, International first-class production technology, Achieved high module conversion efficiency 19.2%
- Excellent performance for resist wind presson and snow load, full module passed wind presson and snow load, full module passed wind presson (2400Pa) and snow load (5400Pa) test
- Excellent weak light performance, Resistant to salt spray and ammonia corrosion
- Passing the certification test of photovoltaic standards
- Certified by international quality management and environmental management system ISO9001, OHSAS18001, ISO14001
- Application grade: A grade, Safe class: II, Fireproofing grade: C

Comprehensive Products And System Certificates

IEC61215/IEC61730/UL1703/IEC61701/IEC62716

ISO 9001: Quality Management System

ISO 14001: Environmental Management System

OHSAS 18001: Occupation Health and Safety

Management System

GB/T 23001-2017: Management system with

Integration of Information

Technology and Industrialization



Excellent low light performance on cloudy days mornings and evenings

- * Advanced surface texturing
- * Back surface field
- * Selective emitter



Maximize limited space with top-end efficiency

- * Up to **192**W/m² power density
- * Low thermal coefficients for greater energy production at high operating temperatures



Highly reliable due to stringent quality control

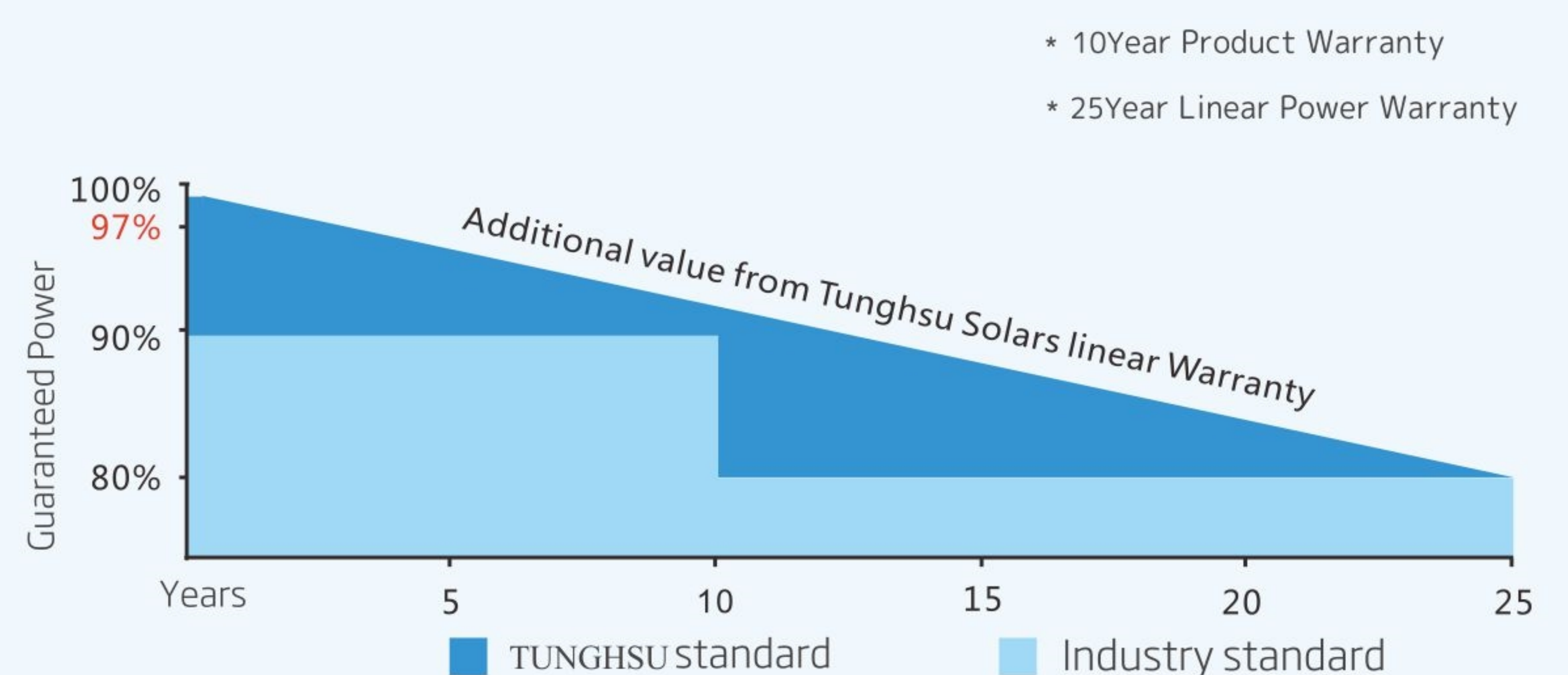
- * In-house testing goes well beyond certification requirements (UV, TC, HF, and many more)
- * PID resistant



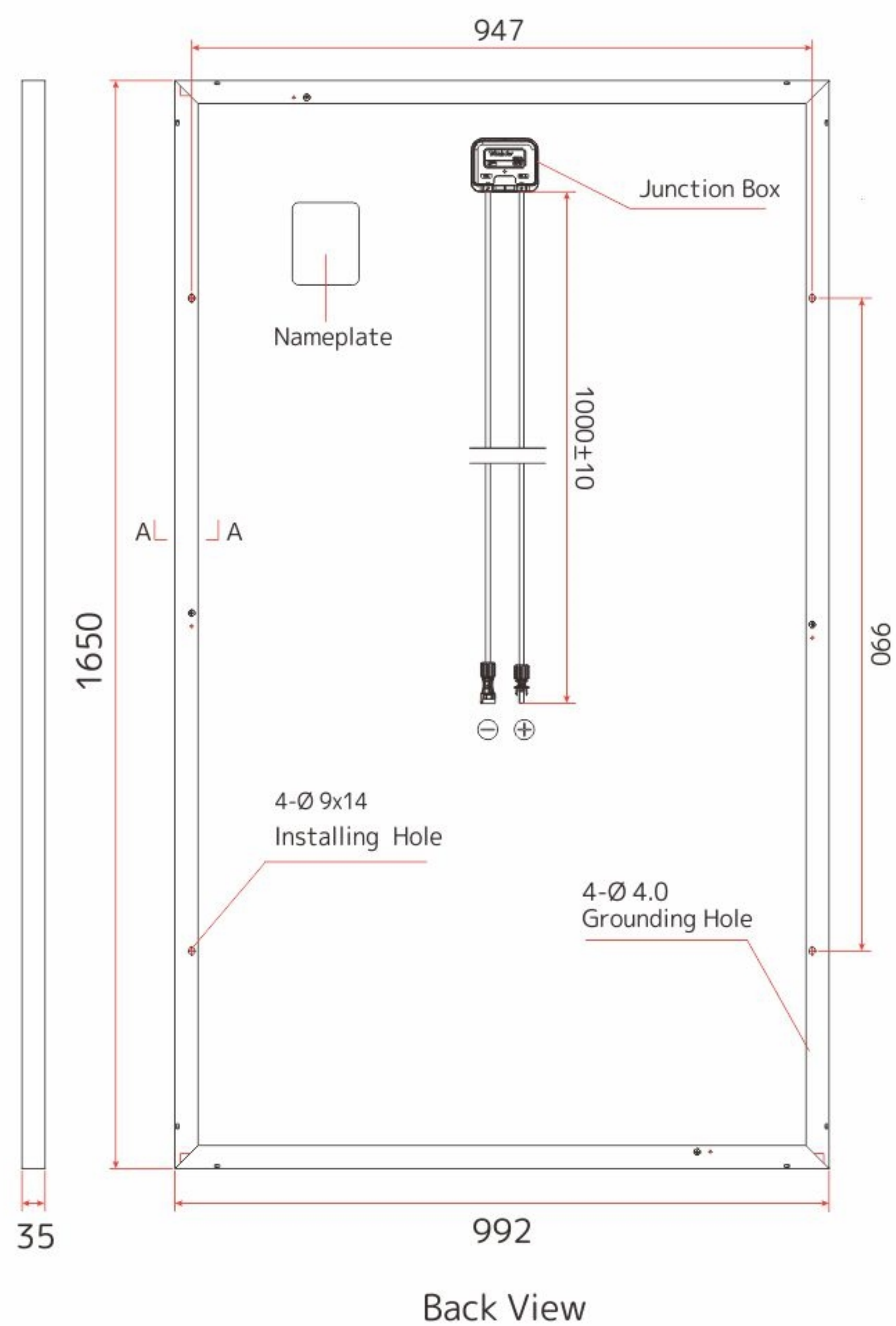
Certified to withstand the most challenging environmental conditions

- * **2400** Pa wind load
- * **5400** Pa snow load

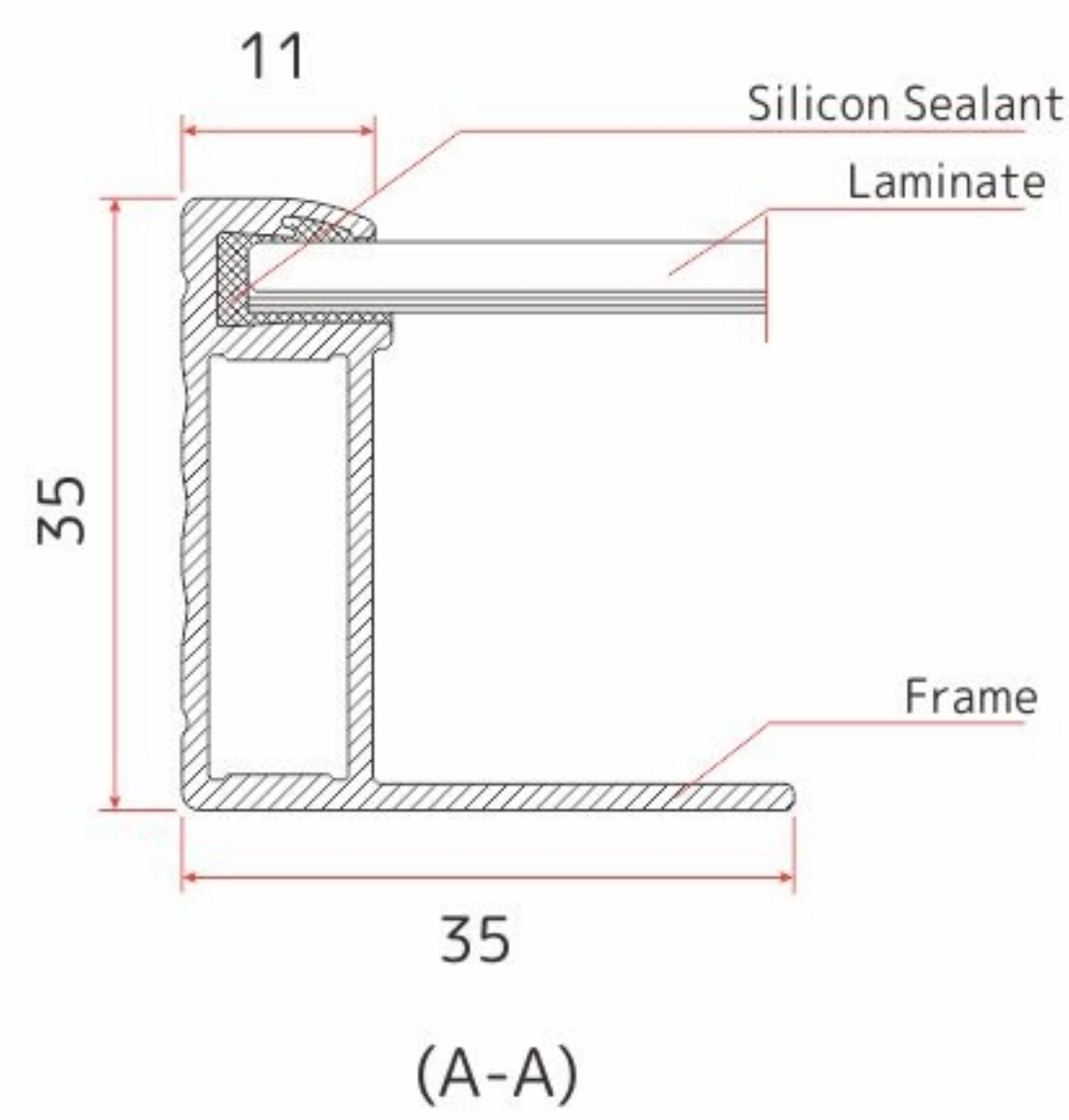
LINEAR PERFORMANCE WARRANTY



DIMENSIONS OF PV MODULE(mm/inches)

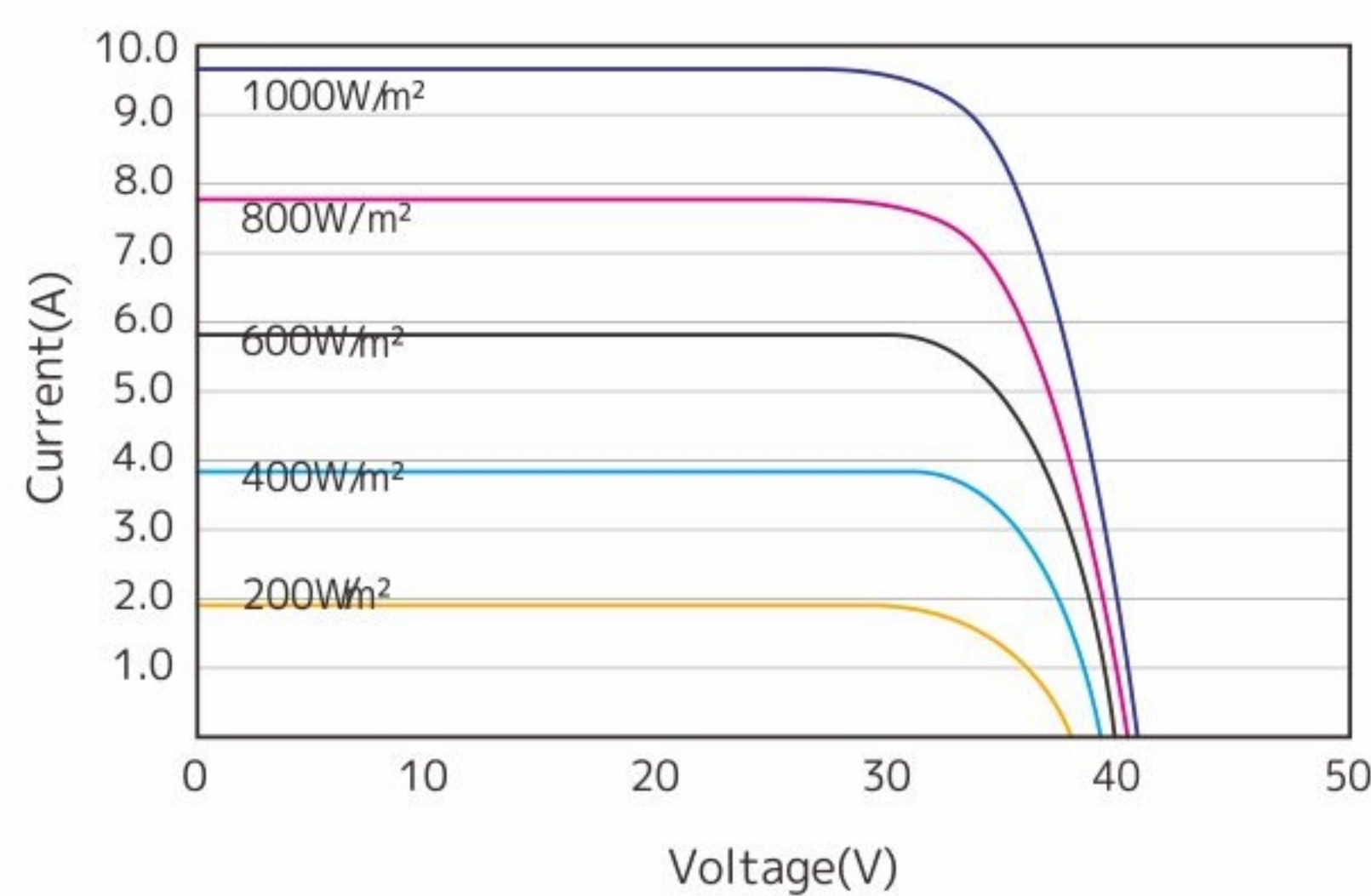


Back View

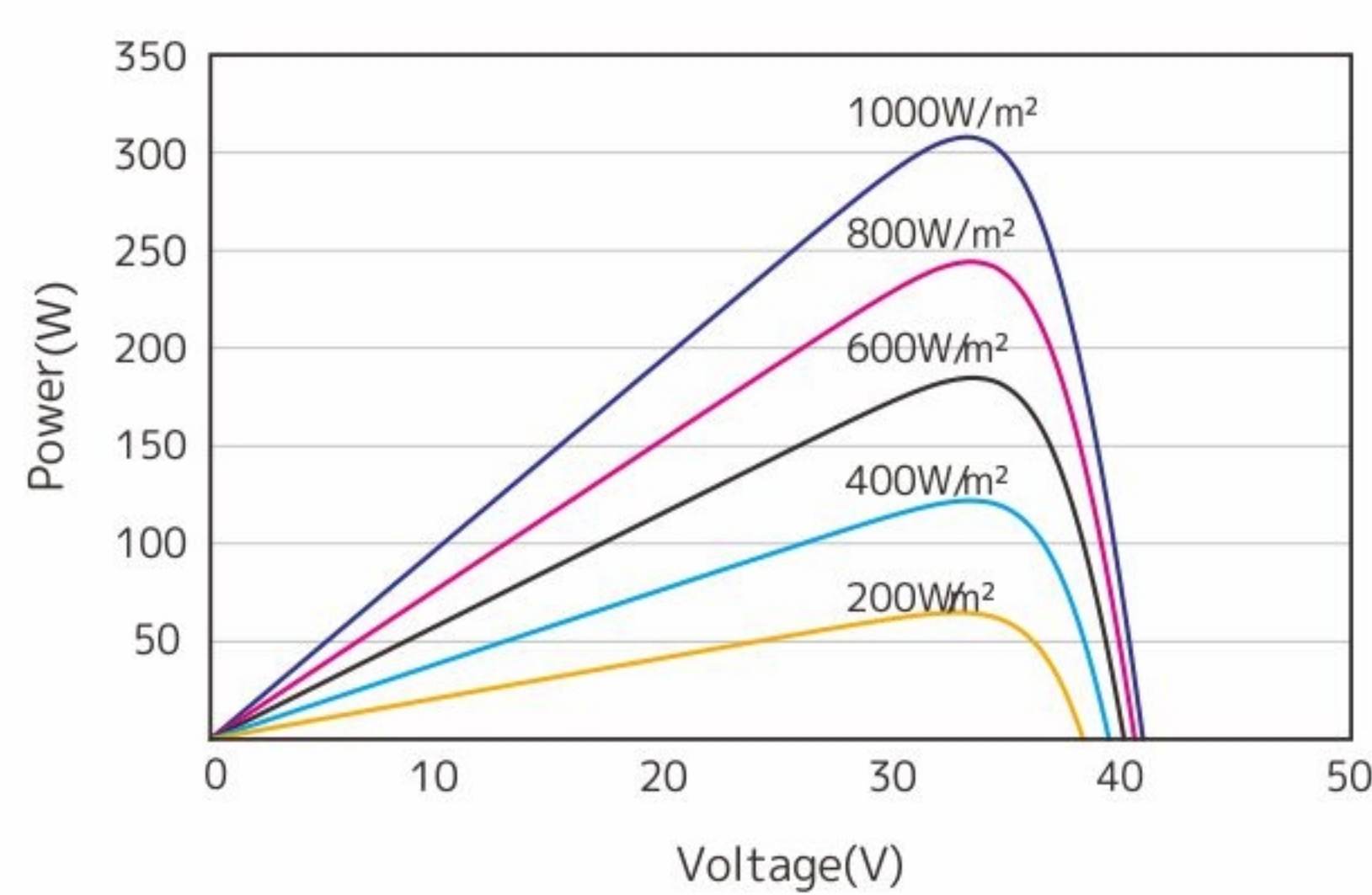


(A-A)

I-V CURVES OF PV MODULE(305W)



P-V CURVES OF PV MODULE(305W)



ELECTRICAL DATA (STC)

Peak Power Watts- P_{MAX} (Wp)	280	285	290	295	300	305	310	315
Power Output Tolerance- P_{MAX} (W)	0 ~ +5							
Maximum Power Voltage- V_{MPP} (V)	31.7	31.8	32.2	32.5	32.6	32.9	33.1	33.3
Maximum Power Current- I_{MPP} (A)	8.84	8.97	9.01	9.08	9.19	9.28	9.37	9.46
Open Circuit Voltage- V_{OC} (V)	38.4	38.5	38.9	39.6	39.8	40.0	40.2	40.5
Short Circuit Current- I_{SC} (A)	9.42	9.51	9.66	9.68	9.77	9.85	9.94	10.0
Module Efficiency η_m (%)	17.1	17.4	17.7	18.0	18.3	18.6	18.9	19.2

STC: Irradiance 1000W/m², Cell Temperature 25°C, Air Mass AM1.5.

ELECTRICAL DATA (NOCT)

Maximum Power- P_{MAX} (Wp)	209	212	216	220	223	227	231	235
Maximum Power Voltage- V_{MPP} (V)	29.4	29.5	29.9	30.1	30.2	30.5	30.7	30.9
Maximum Power Current- I_{MPP} (A)	7.10	7.21	7.24	7.30	7.38	7.46	7.53	7.60
Open Circuit Voltage- V_{OC} (V)	35.7	35.8	36.2	36.8	37.0	37.2	37.4	37.6
Short Circuit Current- I_{SC} (A)	7.61	7.68	7.80	7.82	7.89	7.95	8.03	8.10

NOCT: Irradiance at 800W/m², Ambient Temperature 20°C, Wind Speed 1m/s.

MECHANICAL DATA

Solar Cells	Monocrystalline(156.75X156.75mm)
Cell Orientation	60cells(6X10)
Module Dimensions	1650x992x35mm(66.96× 39.06 × 1.38 inches)
Weight	18.5kg(40.78lb)
Glass	3.2 mm (0.13 inches), High Transmission, AR Coated Tempered Glass
Backsheet	White [DD05A(II), DD05A.08(II)]; Black [DD05A.05(II)]
Frame	Black Anodized Aluminium Alloy [DD05A.08(II), DD05A.05(II)]
J-Box	IP 67 or IP 68 rated
Cables	Photovoltaic Technology Cable 4.0mm ² (0.006 inches ²), 1000 mm (39.4 inches)
Connector	MC4, QC4

TEMPERATURE RATINGS

NOCT(Nominal Operating Cell Temperature)	44°C (± 2°C)
Temperature Coefficient of P_{MAX}	- 0.39%/°C
Temperature Coefficient of V_{OC}	- 0.29%/°C
Temperature Coefficient of I_{SC}	0.05%/°C

MAXIMUM RATINGS

Operational Temperature	-40~+85°C
Maximum System Voltage	1000V DC (IEC)
Max Series Fuse Rating	20A

(DO NOT connect Fuse in Combiner Box with two or more strings in parallel connection)

PACKAGING CONFIGURATION

- 10 year Product Workmanship Warranty
- 25 year Linear Power Warranty

WARRANTY

- Modules per box: 30 pieces
- Modules per 40' container: 840 pieces

Note: Please read the safety and installation instructions before using the product. Anhui Tunghsu Kangtu Solar Technology Co., Ltd. All rights reserved. Specifications of this data sheet are subject to change without further notice.



Add : Meishan Lake Road, Modern Industrial Park, Jinzhai County, Lu'an City, Anhui Province
Tel : +86-564-7069082
Mobile : +86-564-7069082
P.C. : 237300
E-mail : dxkt@dong-xu.com