

INE-72MH SERIES 6 INCH 144 CELLS

430-450w

PRODUCT CERTIFICATES



KEY FEATURES

0~3%

Output positive tolerance/Guaranteed 0~3% positive tolerance ensures the power output reliability

HALF CELL

Half-cut 9BB cell technology/New circuit design, lower internal current, lower Rs loss



Anti PID technology/Excellent Anti-PID performance

NEW IEC

Tested and certified according IEC standard /IEC61215/IEC61730 standard quality



Highly reliable due to stringent quality control/Three times strict EL testing beyond certification requirements

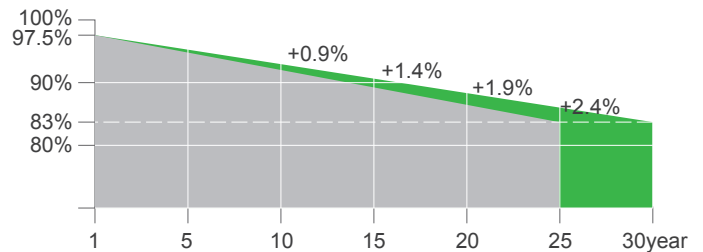


Lower temperature coefficients/Outstanding power output capability at low irradiance

SYSTEM CERTIFICATES

IEC 61215 / IEC 61730
 ISO 9001 : Quality Management System
 ISO 14001 : Environment Mangement System
 OHSAS 18001 : Occupational Health and Safety Management System

WARRANTY



12
years

12-year Warranty for Materials and Processing

30
years

30-year Warranty for Extra Linear Power Output

ELECTRICAL PARAMETERS AT STC

Module Type	INE-430-72MH	INE-435-72MH	INE-440-72MH	INE-445-72MH	INE-450-72MH
Rated Maximum Power(Pmax) [W]	430	435	440	445	450
Open Circuit Voltage(Voc) [V]	49.2	49.4	49.6	49.8	50.0
Maximum Power Voltage(Vmp) [V]	40.6	40.8	41.0	41.2	41.4
Short Circuit Current(Isc) [A]	11.19	11.26	11.33	11.40	11.47
Maximum Power Current(Imp) [A]	10.3	10.67	10.74	10.81	10.88
Module Efficiency [%]	19.5	19.7	19.9	20.2	20.4

STC: Irradiance 1000 W/m² module temperature 25°C AM=1.5

ELECTRICAL PARAMETERS AT NOCT

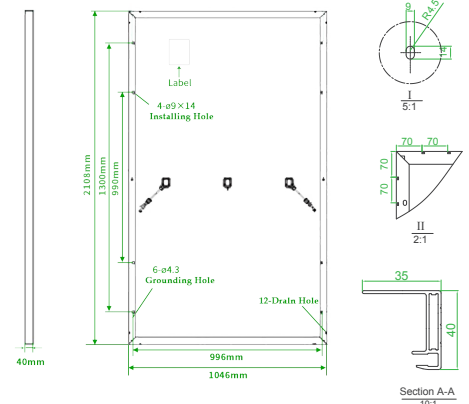
Module Type	INE-430-72MH	INE-435-72MH	INE-440-72MH	INE-445-72MH	INE-450-72MH
Rated Maximum Power(Pmax) [W]	318	322	326	330	334
Open Circuit Voltage(Voc) [V]	45.9	46.1	46.3	46.5	46.7
Maximum Power Voltage(Vmp) [V]	37.5	37.7	37.9	38.1	38.3
Short Circuit Current(Isc) [A]	9.02	9.08	9.13	9.19	9.25
Maximum Power Current(Imp) [A]	8.5	8.56	8.61	8.67	8.73

NOCT: Irradiance 800 W/m² ambient temperature 20°C wind speed: 1m/s

MECHANICAL SPECIFICATION

Cell Type	Monocrystalline
Cell Dimensions	166*83mm
Cell Arrangement	144(6*24)
Weight	24kg
Module Dimensions	2108*1046*40mm
Cable	4.0 mm ² , wire length: 900 mm or Customized Length
Front Glass	3.2 mm AR coating tempered glass, low iron
Frame	Anodized aluminium alloy
Junction Box	IP67/IP68
Connector	MC4 Compatible
Mechanical Load	Front side 5400Pa/ Rear side 2400Pa

Technical drawing(INE-XXX-72MH)



* All Dimensions in mm.

* The above drawing is a graphical representation of the product.
For engineering quality drawings please contact IDEAL NEW ENERGY.

OPERATING CONDITIONS

Power Tolerance (W)	(0, +4.99)
Maximum System Voltage (V)	1000VDC / 1500VDC
Pmax Temperature Coefficient	-0.36 %/°C
Voc Temperature Coefficient	-0.28%/°C
Isc Temperature Coefficient	+0.05 %/°C
Nominal Operating Cell Temperature	45±2 °C
Operating Temperature	-40°C-+85°C
Maximum Series Fuse	20A

PACKING CONFIGURATION

Quantity/Pallet	27pcs/pallet
Pallets/Container	10pallet/20GP; 22pallet/40HQ
Quantity/Container	270pcs/20GP; 630pcs/40HQ

I-V Curve

