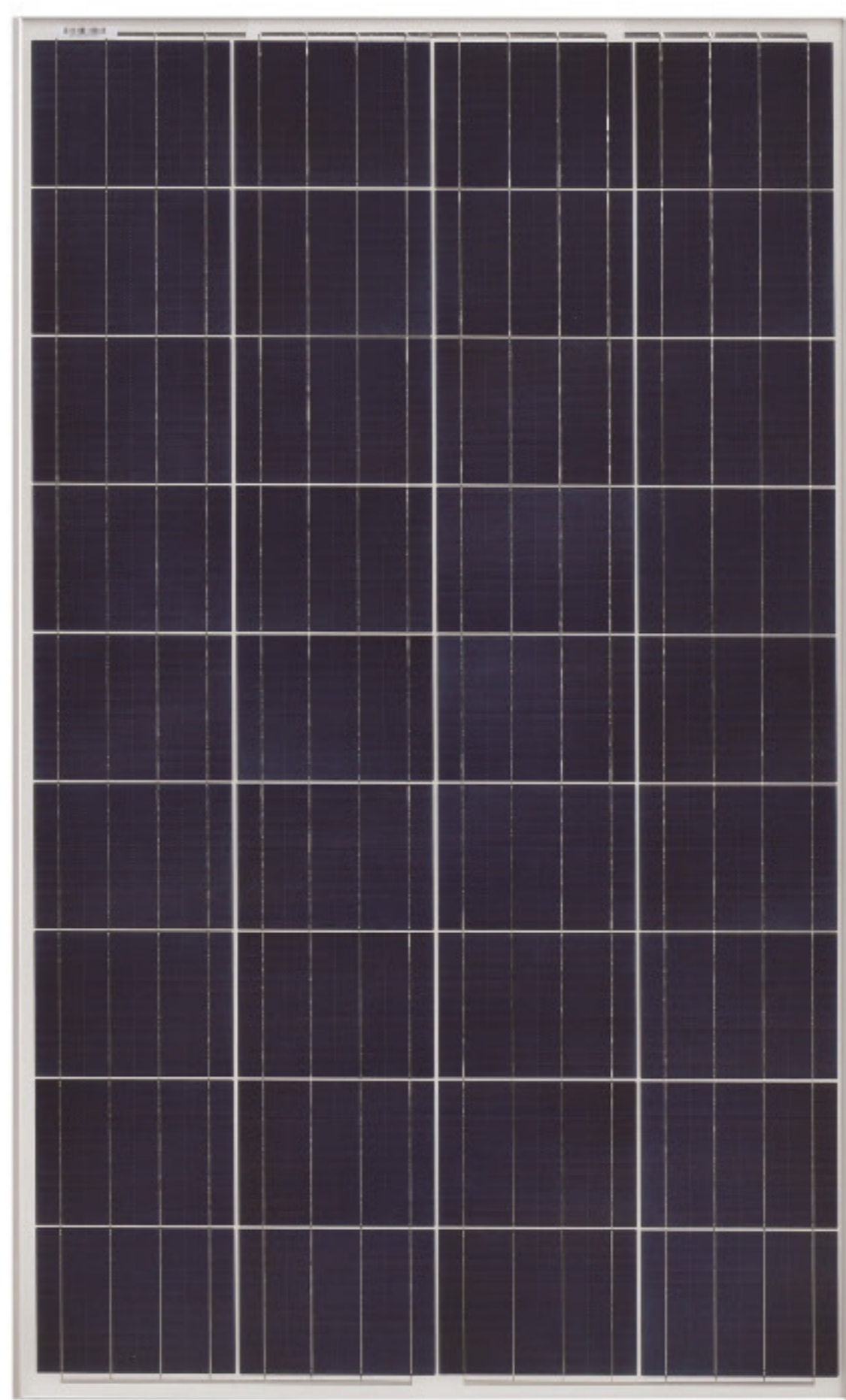


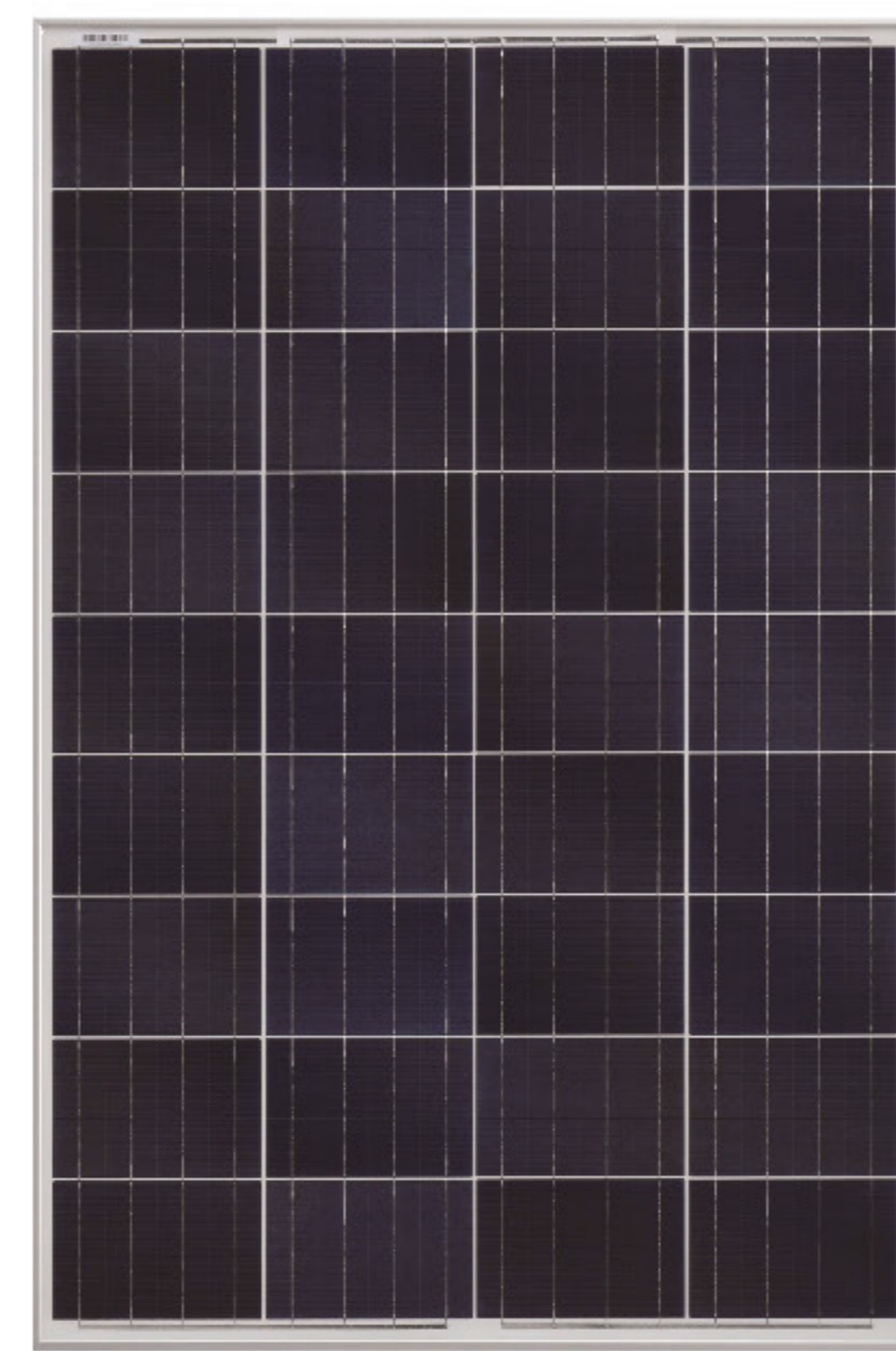
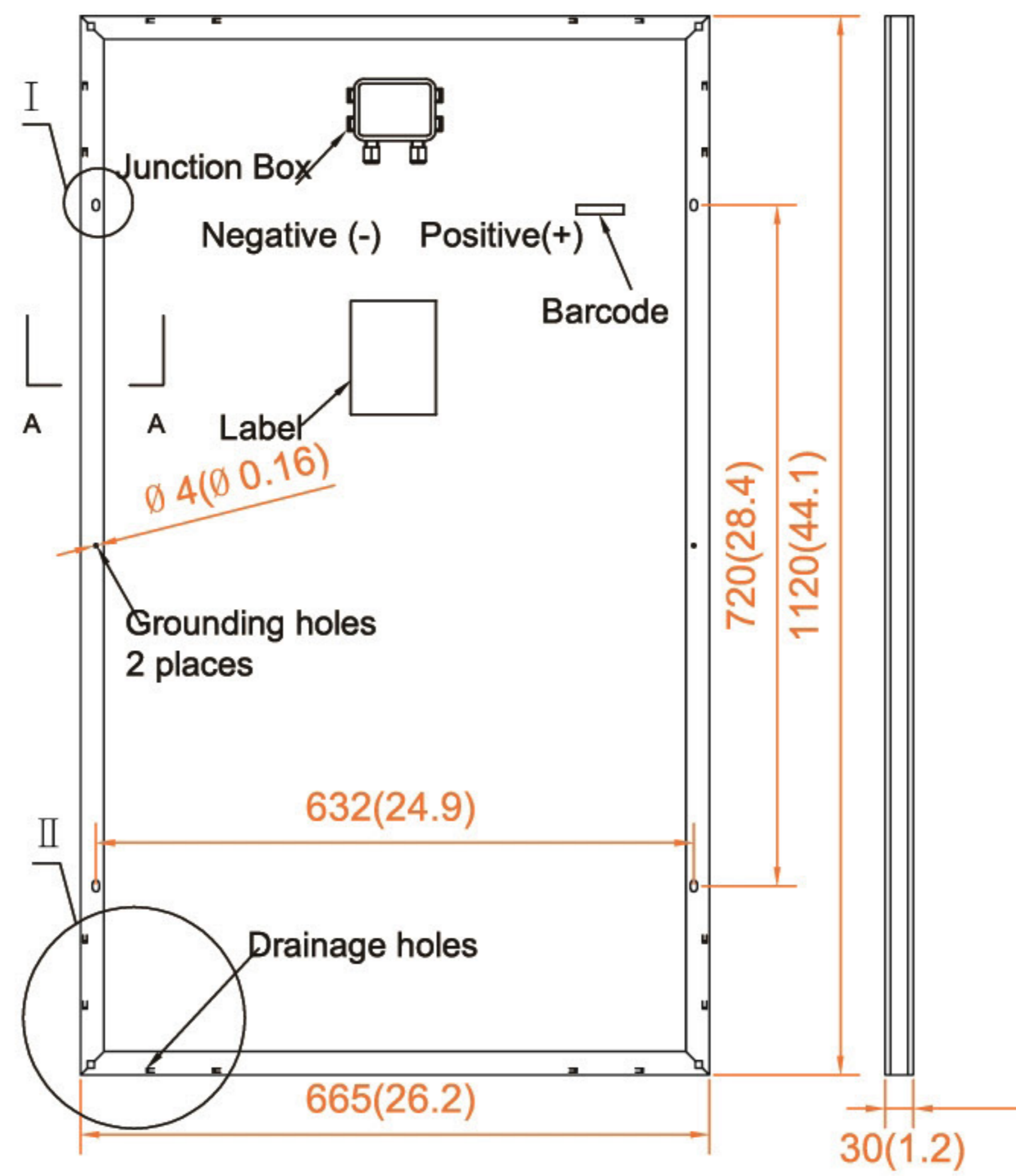
70~115 Watt



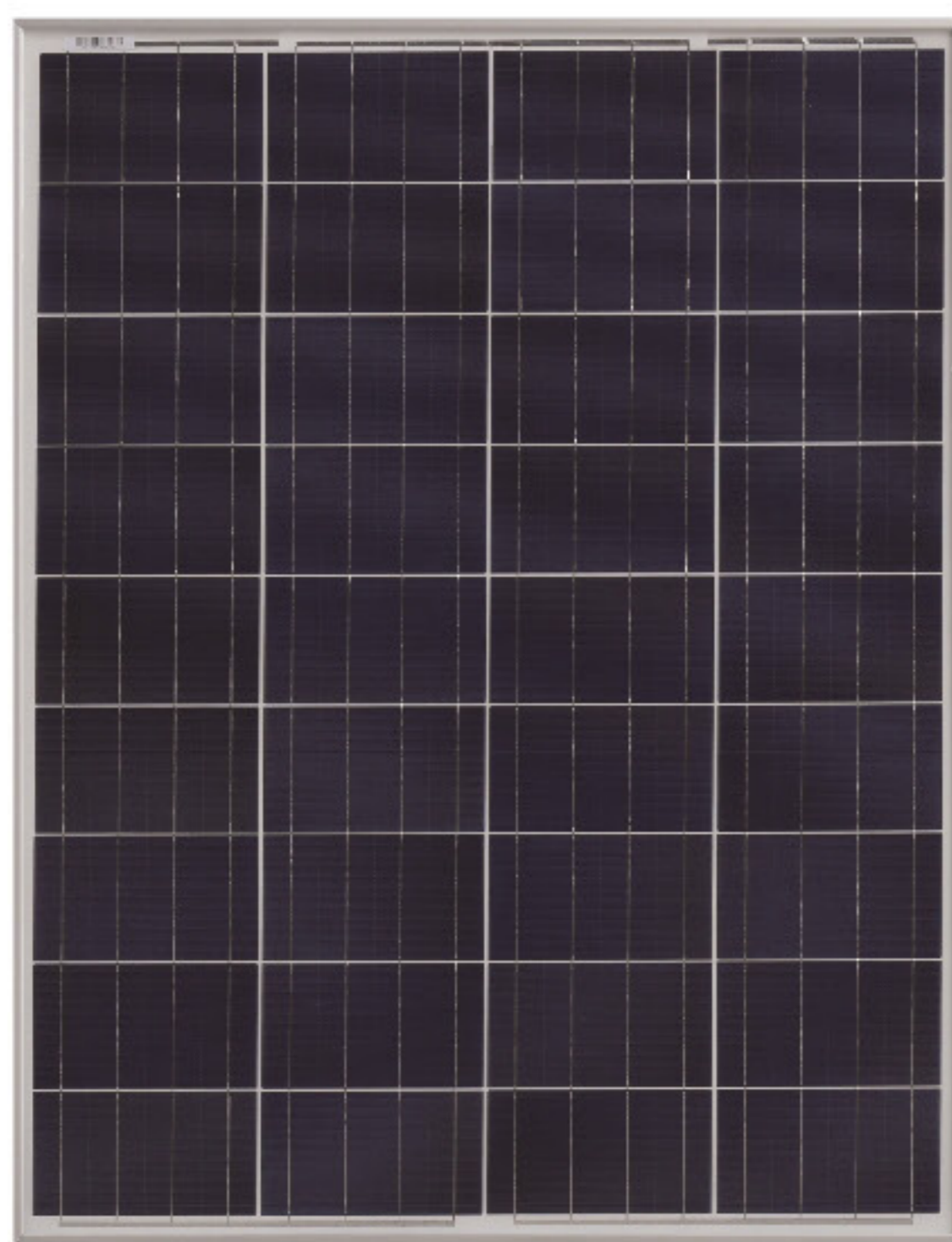
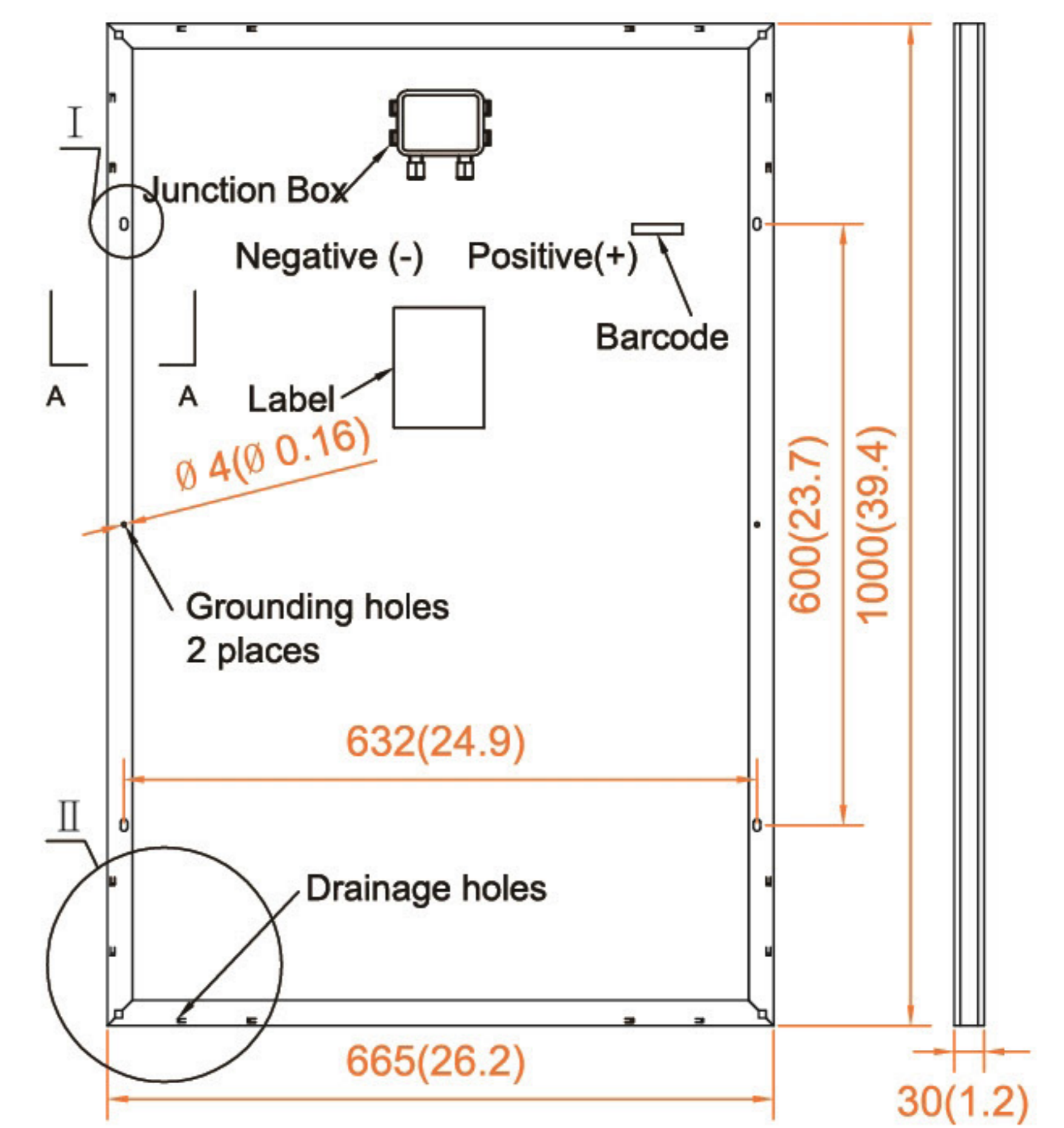
*BLACK FRAME/BLACK BACK-SHEET PRODUCTS ARE AVAILABLE UPON REQUEST



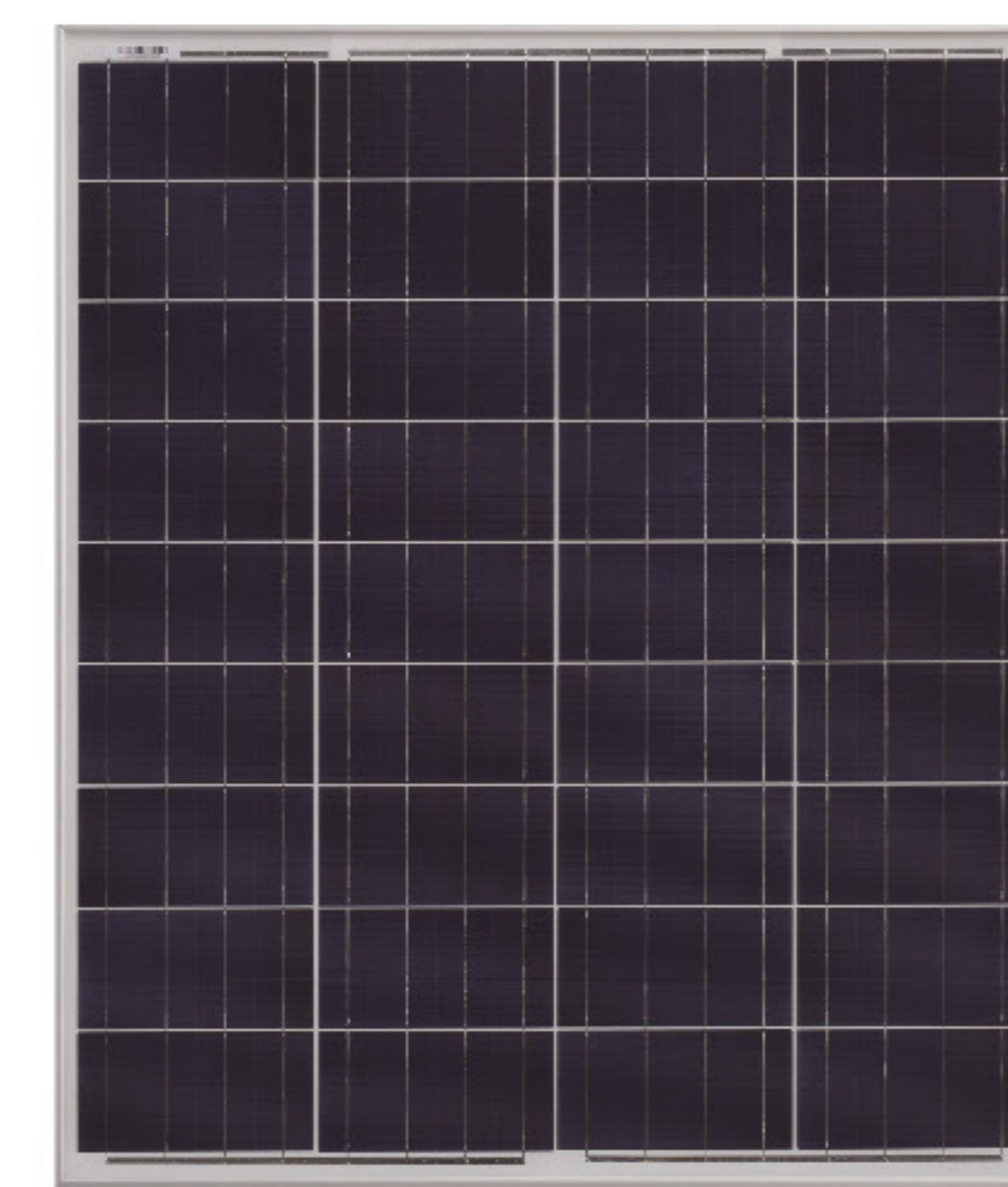
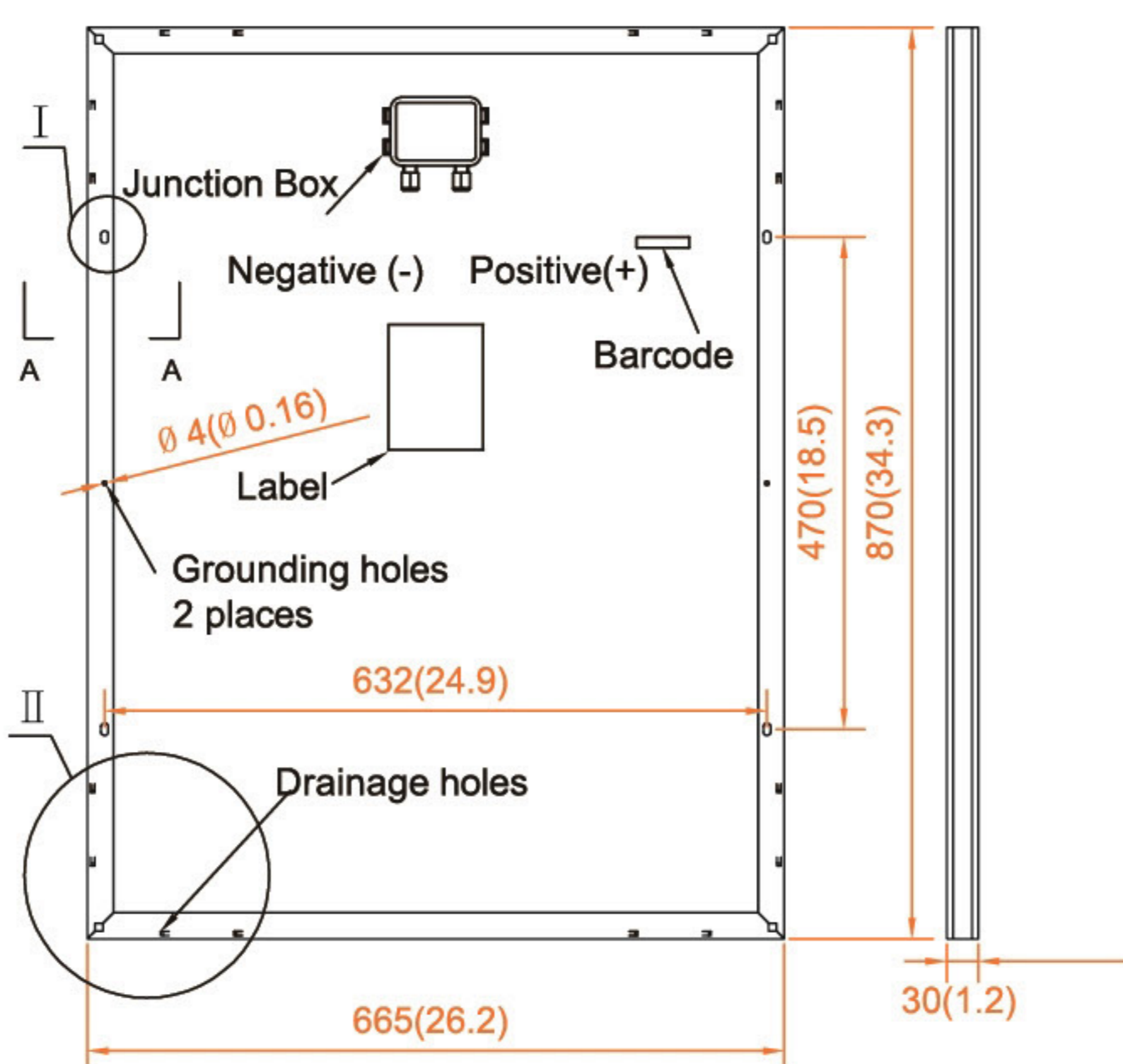
110W-115W



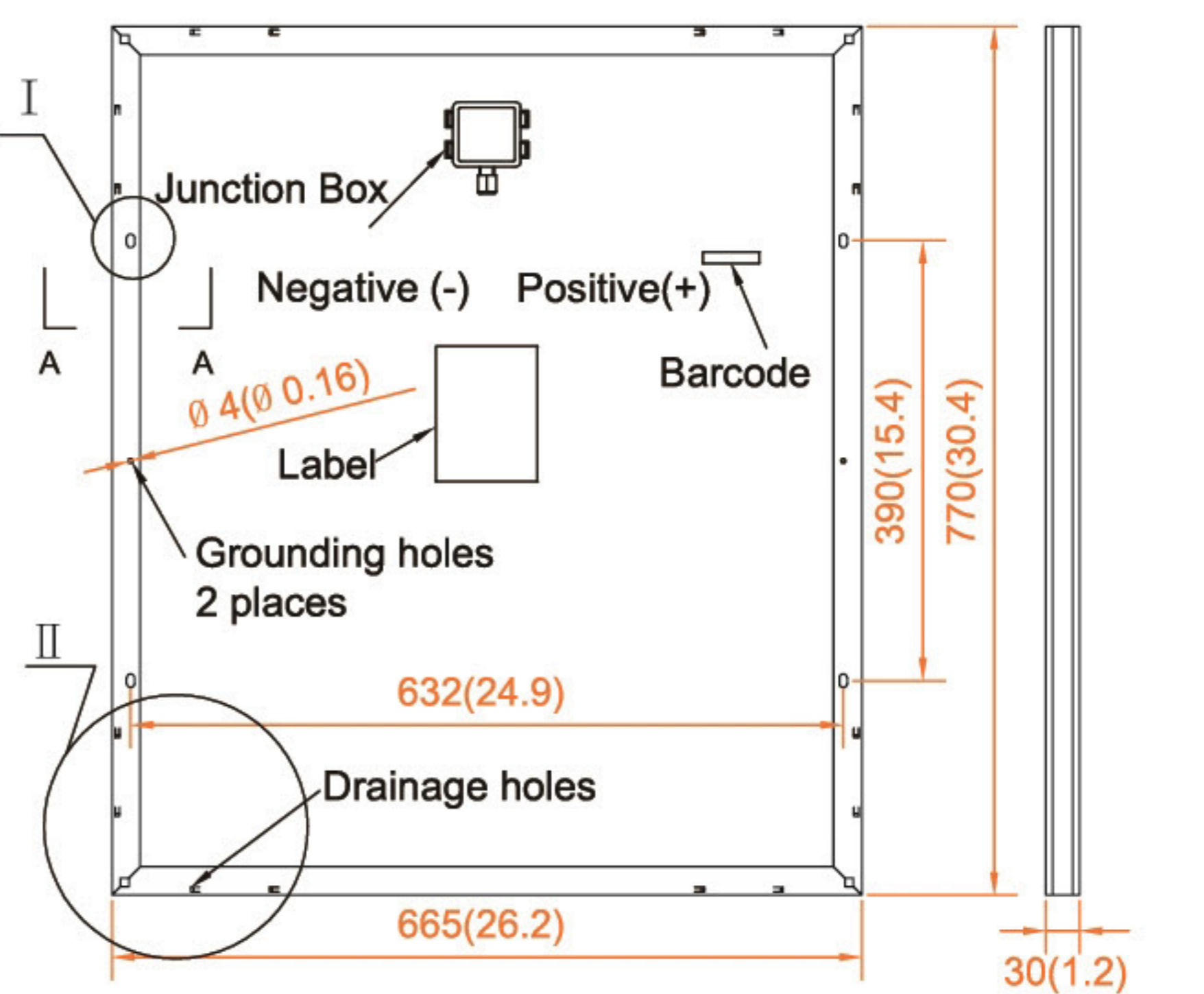
95W-105W



80W-90W



70W-75W



MANAGEMENT SYSTEM



ISO 9001: Quality management system

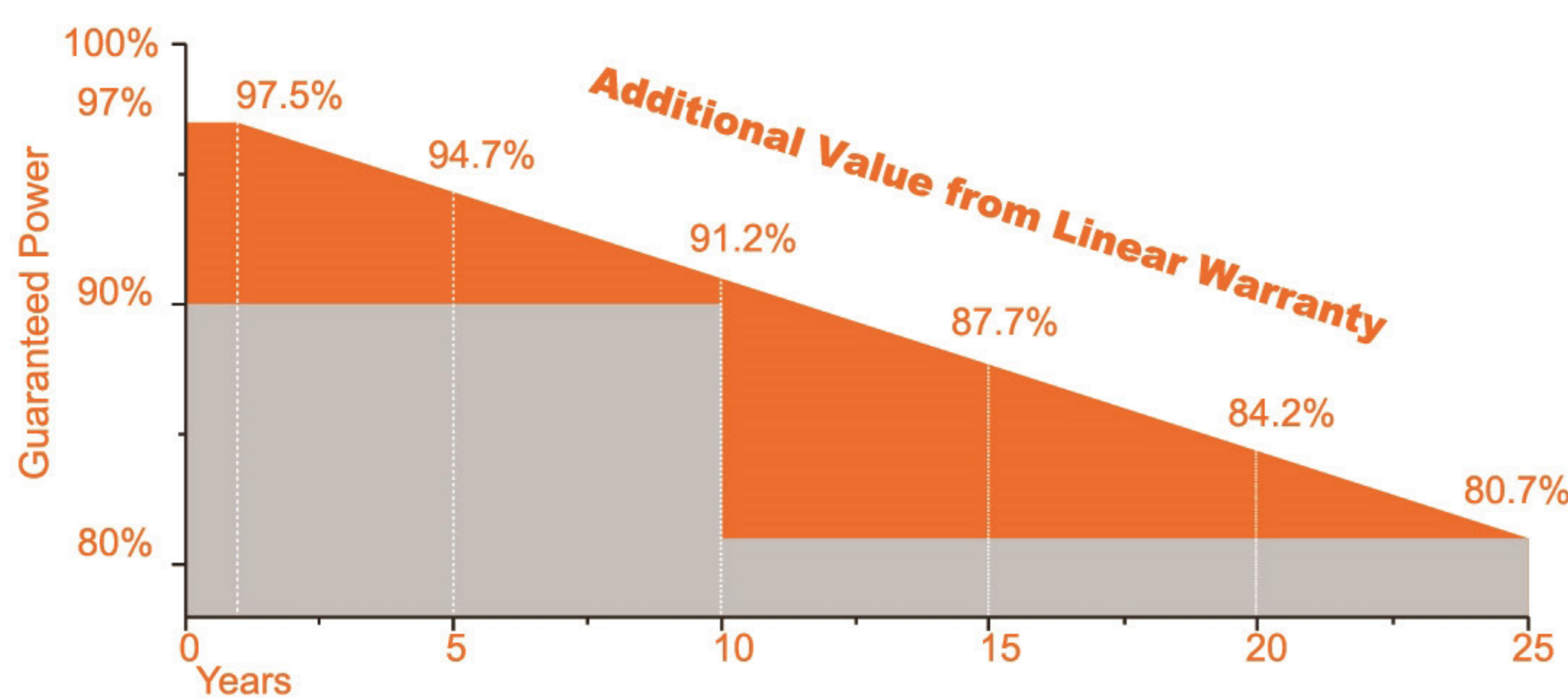
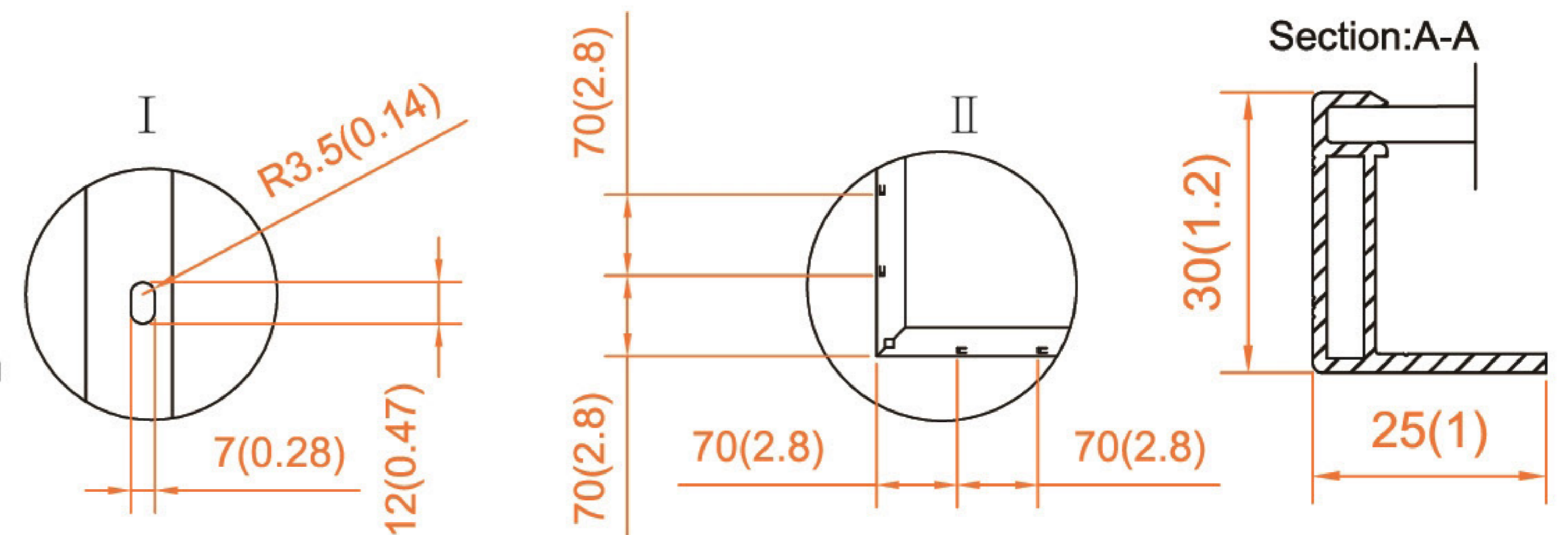


ISO 14001: Standard for environmental management system



OHSAS 18001: International standard for occupational health and safety assessment system

PRODUCT CERTIFICATES



*All Dimensions in mm(inch)

*The above drawing is a graphical representation of the product. For engineering quality drawings please contact KFSOLAR.

WARRANTY

5 Years
Material & Craft
Quality
assurance

10 Years
90% Output
Power
guarantee

25 Years
80% Output
Power
guarantee

Electrical Characteristics (STC)

| Module Type | KF70P-12 | KF75P-12 | KF80P-12 | KF85P-12 | KF90P-12 |
|----------------------------------|----------|----------|----------|----------|----------|
| Maximum Power- Pmax(W) | 70 | 75 | 80 | 85 | 90 |
| Open Circuit Voltage - Voc(V) | 22.2 | 22.4 | 22.2 | 22.4 | 22.6 |
| Short- Circuit Current - Isc(A) | 4.15 | 4.40 | 4.75 | 4.99 | 5.23 |
| Voltage at Pmax -Vmp(V) | 18.2 | 18.4 | 18.2 | 18.4 | 18.6 |
| Current at Pmax - Imp(A) | 3.85 | 4.08 | 4.40 | 4.62 | 4.84 |
| Module Efficiency - η_m (%) | 13.67 | 14.65 | 13.83 | 14.69 | 15.56 |

| Module Type | KF95P-12 | KF100P-12 | KF105P-12 | KF110P-12 | KF115P-12 |
|----------------------------------|----------|-----------|-----------|-----------|-----------|
| Maximum Power- Pmax(W) | 95 | 100 | 105 | 110 | 115 |
| Open Circuit Voltage - Voc(V) | 22.2 | 22.4 | 22.6 | 22.2 | 22.4 |
| Short- Circuit Current - Isc(A) | 5.64 | 5.87 | 6.10 | 6.53 | 6.75 |
| Voltage at Pmax -Vmp(V) | 18.2 | 18.4 | 18.6 | 18.2 | 18.4 |
| Current at Pmax - Imp(A) | 5.22 | 5.43 | 5.65 | 6.04 | 6.25 |
| Module Efficiency - η_m (%) | 14.29 | 15.04 | 15.79 | 14.77 | 15.44 |

STC: Irradiance 1000W/m², Cell Temperature 25°C, Air Mass 1.5
Power measurement tolerance:0~+3%

Mechanical Specifications

| Module Type | KF110P/115P-12 | KF95P~105P-12 | KF80P~90P-12 | KF70P/75P-12 |
|---------------------|---------------------------|---------------------------|---------------------------|---------------------------|
| External Dimensions | 1120×665×30mm | 1000×665×30 mm | 870×665×30mm | 770×665×30 mm |
| Weight | 8.4kg | 7.5 kg | 6.5kg | 5.7 kg |
| Poly Solar Cells | 117×156mm (36pcs) | 104×156mm (36pcs) | 90×156mm (36pcs) | 78×156mm (36pcs) |
| Front Glass | 3.2 mm tempered, low iron | 3.2 mm tempered, low iron | 3.2 mm tempered, low iron | 3.2 mm tempered, low iron |
| Frame | Anodized aluminum alloy | Anodized aluminum alloy | Anodized aluminum alloy | Anodized aluminum alloy |
| Junction Box | IP67 | IP67 | IP67 | IP67 |
| Mechanical Load | 5400 Pa | 5400 Pa | 5400 Pa | 5400 Pa |

Packing Configuration

| Module Type | KF110P/115P-12 | KF95P~105P-12 | KF80P~90P-12 | KF70P/75P-12 |
|-------------------|------------------|------------------|------------------|------------------|
| Carton Dimensions | 1135×680×175mm | 1015×680×175mm | 885×680×175 mm | 785×680×175 mm |
| Pallet Dimensions | 1400×1150×2170mm | 1400×1100×2160mm | 1800×1100×2170mm | 1600×1100×2170mm |
| Pallet Weight | 1074kg | 966kg | 1264kg | 1115kg |
| Pieces/Pallet | 120(5pcs/carton) | 120(5pcs/carton) | 180(5pcs/carton) | 180(5pcs/carton) |

I-V Curve (KF100P-12)

