

# Central-distributed Inverter & Step-up Container Solution

SPI1000K-TS/SPI2000K-TS



## Product Features

### Highly integrated - turnkey solution

- Integrated with efficient tri-level centralized PV inverter
- Equipped with transformer (10kV/35kV, Oil/Dry optional), medium voltage distribution
- Integrated multi-function transformer measurement and control device, one-stop solar farm communication solution

### Efficient and stable - reliable

- Container standardization production, good consistency
- Unified and one-stop after-sale service
- Optimized inverter and step up unit, higher system efficiency
- 45°C 1.1 times long-term overload, 50°C full load operation

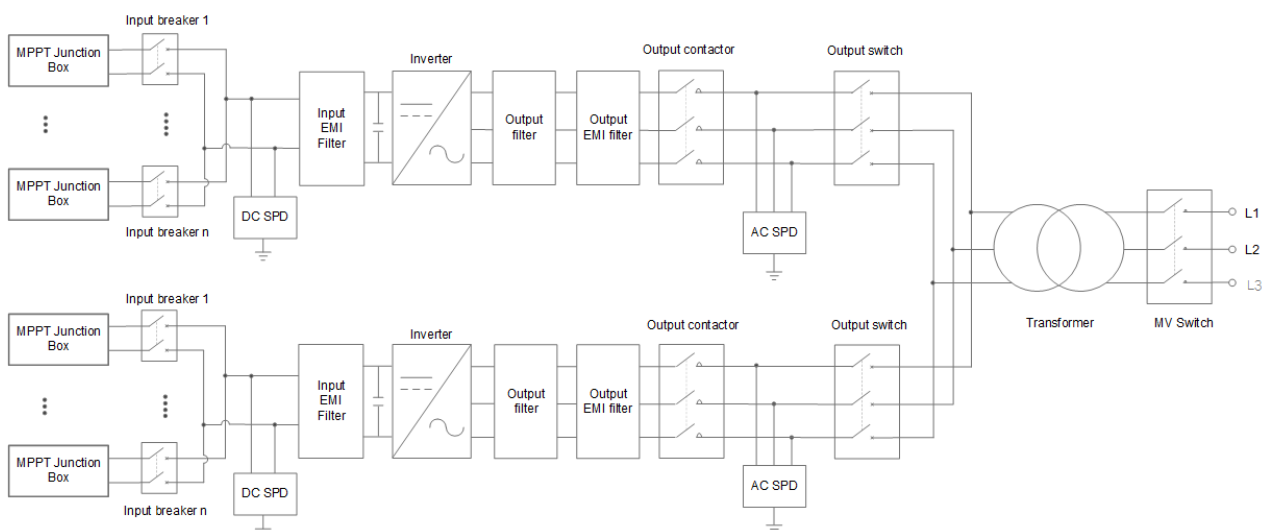
### Lean intelligence - full monitoring collection

- Integrated multi - function transformer measurement and control device, intelligent operation management
- Collect the combiner box, inverter and transformer information, quickly and accurately locate the fault
- Unified external communication interface, integrated lean management, rapid deployment and debugging

### Lower investment, higher income

- Copper bar connection between inverter and transformer, line loss reduced by 0.1%~0.3%
- Optimize low-voltage distribution, cable connection and installation , and total cost reduce 7%-10%
- Turnkey product, shorten construction period, reduce construction cost

## Function Diagram



## Technical Specification

Items	SPI1000K-TS	SPI2000K-TS
<b>DC input</b>		
Max. input power	1123kW	2×1123kW
Max. input voltage	1000Vdc	
Max. input current	1404A	2×1404A
No.of PV input strings	11~14 (optional)	22~28 (optional)
Voltage range	720Vdc~950Vdc	
<b>AC output</b>		
Rated AC output power	1000kW	2000kW
Max. output power	1100kW	2200kW
Max. output current	63.51A	127.02A
Rated AC output voltage	10kV/35kV	
Rated frequency	50Hz/60Hz	
Power factor	>0.99	
Adjustable power factor	0.9 (leading)~0.9 (lagging)	
THDi	<3% (nominal power)	
<b>Inverter efficiency</b>		
Max. efficiency	99.00%	
European efficiency	98.70%	
<b>Others</b>		
LVRT Function	Yes	
AC side parallel technology	Yes	
Anti-PID function	Optional	
Fault wave record diagnosis	Yes	
IV curve intelligent diagnostic function	Yes	
Online upgrade	Yes	
Transformer measurement and control device	Yes	
<b>System data</b>		
Dimensions (W×H×D)	4000×2990×2438mm	4200×2990×2800mm
Weight	10000kg	15000kg
IP grade	IP54	
Transformer type	Oil type/Dry type	
Transformer cooling	ANAF/ONAN	
Inverter cooling	Intelligent forced air cooling	
Altitude	2000m (>2000m optional)	
Operating temperature range	-35°C~60°C	
Operating humidity	0~100%	
Communication	RS485, Ethernet, FDDI (optional)	

■ Specifications are subject to change without prior notice.