



## Introduction

This time-tested legacy module series has been proven to be one of the powerful and most reliable products offered by BR Solar and the most popular choice by PV system installers and customers around world.



Low cost



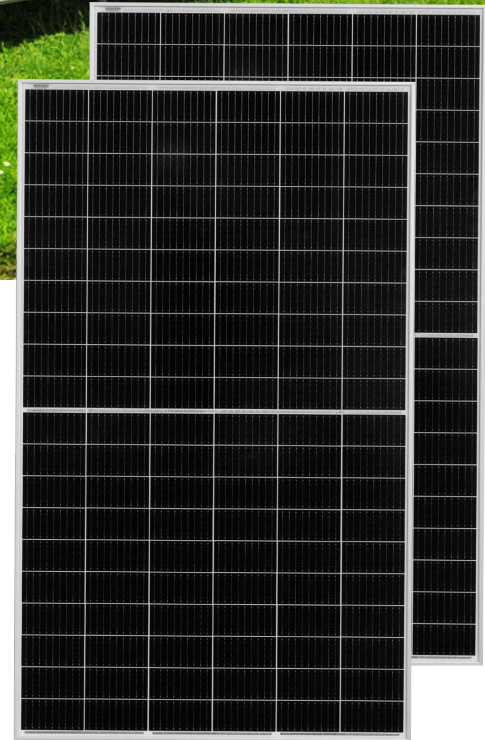
9 busbar solar cell design



Anti-PID

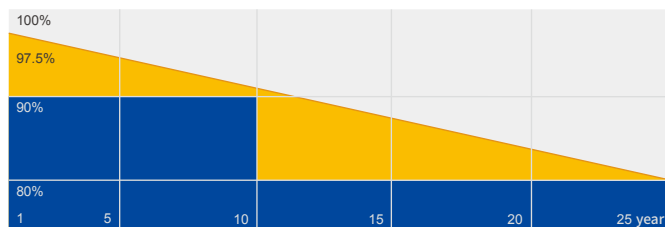


Highly reliable due to strict quality control



## Superior Warranty

- 10-year product warranty
- 25-year linear power output



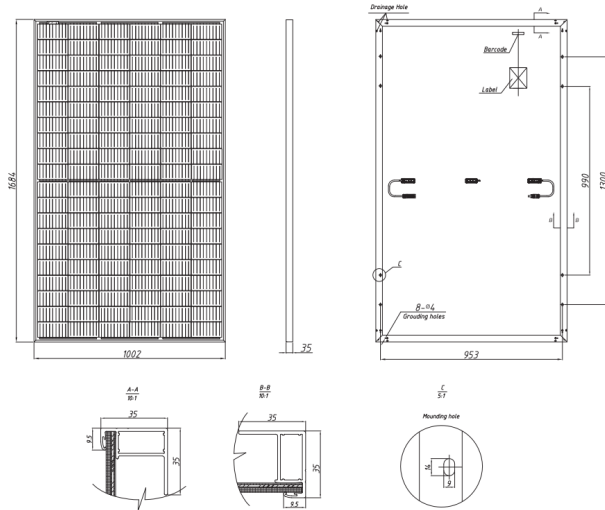
■ Linear Power Warranty ■ Industry Warranty

## Comprehensive Certificates

- IEC 61215, IEC 61730
- ISO 9001: 2015 Quality management systems
- ISO 14001: 2015 Environmental management systems
- ISO 45001: 2018 Occupational health and safety management systems
- IEC TS 62941: 2016 Terrestrial photovoltaic (PV) modules – Guidelines for increased confidence in PV module design qualification and type approval



**MECHANICAL DIAGRAMS**



**SPECIFICATIONS**

Cell	PERC
Weight	19.0kg
Dimensions	1684×1002×35mm
Cable Cross Section Size	4mm <sup>2</sup> , 300mm
No. of cells	120(2x(6x10))
Junction Box	IP68, 3 diodes
Connector	1500V, MC4
Packaging Configuration	30 Per Pallet
Container	780pcs /40' HQ

Remark: customized frame color and cable length available upon request

**ELECTRICAL PARAMETERS AT STC**

TYPE	BR-M325W	BR-M330W	BR-M335W	BR-M340W	BR-M345W
Rated Maximum Power(Pmax) [W]	325	330	335	340	345
Open Circuit Voltage(Voc) [V]	41.1	41.3	41.5	41.7	41.9
Maximum Power Voltage(Vmp) [V]	33.6	33.8	34.0	34.2	34.4
Short Circuit Current(Isc) [A]	10.20	10.31	10.36	10.55	10.64
Maximum Power Current(Imp) [A]	9.67	9.76	9.85	9.94	10.03
Module Efficiency [%]	19.26	19.56	19.85	20.15	20.45
Power Tolerance	0~+5W				
Temperature Coefficient of Isc( $\alpha_{Isc}$ )	+0.06%/°C				
Temperature Coefficient of Voc( $\beta_{Voc}$ )	-0.30%/°C				
Temperature Coefficient of Pmax( $\gamma_{Pmp}$ )	-0.38%/°C				
STC	Irradiance 1000W/m <sup>2</sup> , cell temperature 25°C, AM1.5G				

Remark: Electrical data in this catalog do not refer to a single module and they are not part of the offer. They only serve for comparison among different module types.

**ELECTRICAL PARAMETERS AT NOCT**

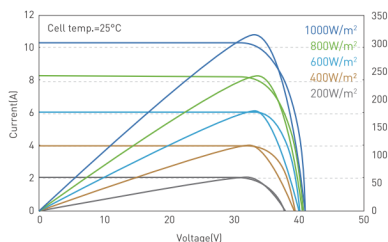
TYPE	BR-M325	BR-M330	BR-M335	BR-M340	BR-M345
Rated Max Power(Pmax) [W]	244	247	251	255	259
Open Circuit Voltage(Voc) [V]	38.9	39.1	39.3	39.5	39.7
Max Power Voltage(Vmp) [V]	31.3	31.5	31.7	31.9	32.1
Short Circuit Current(Isc) [A]	8.24	8.33	8.37	8.53	8.60
Max Power Current(Imp) [A]	7.78	7.85	7.93	8.00	8.07
NOCT	Irradiance 800W/m <sup>2</sup> , ambient temperature 20°C, wind speed 1m/s, AM1.5G				

**OPERATING CONDITIONS**

Maximum System Voltage	1500V DC(IEC)
Operating Temperature	-40°C~+85°C
Maximum Series Fuse	20A
Maximum Static Load,Front	5400Pa
Maximum Static Load,Back	2400Pa
NOCT	44±2°C
Application Class	Class A

**CHARACTERISTICS**

I-V/P-V Curve at Different Irradiance(335W)



I-V Curve at Different Working Temperature(335W)

