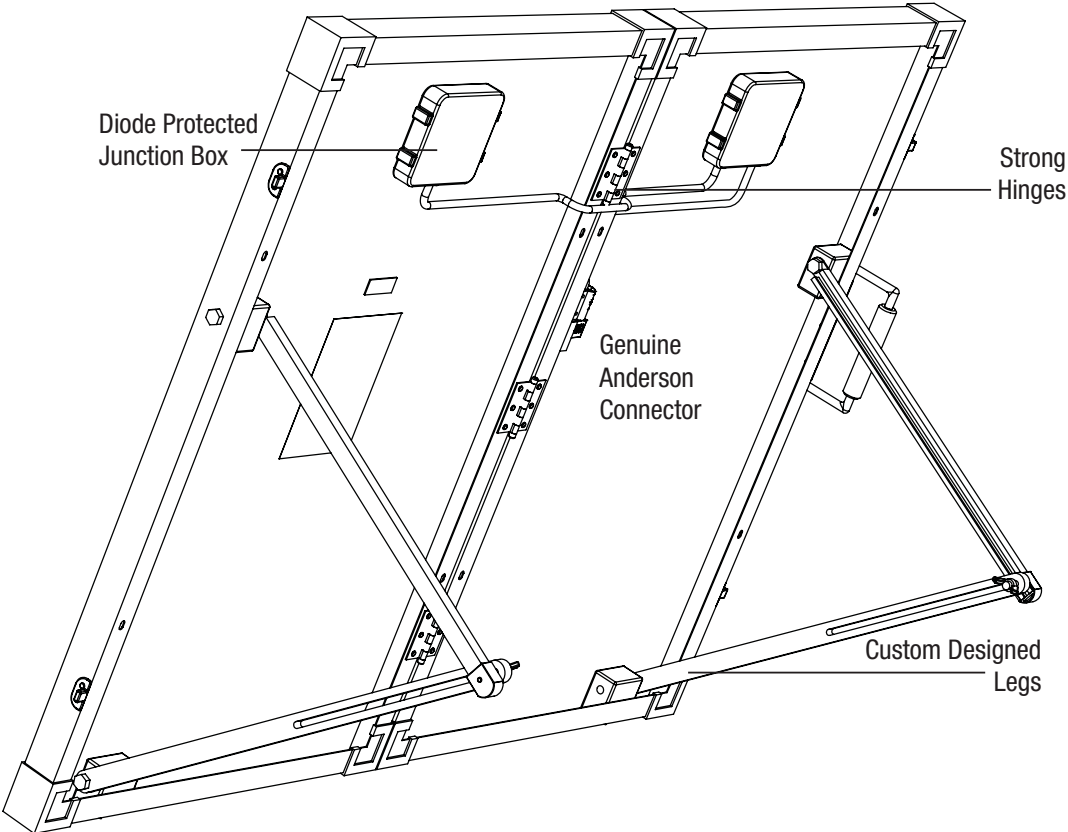
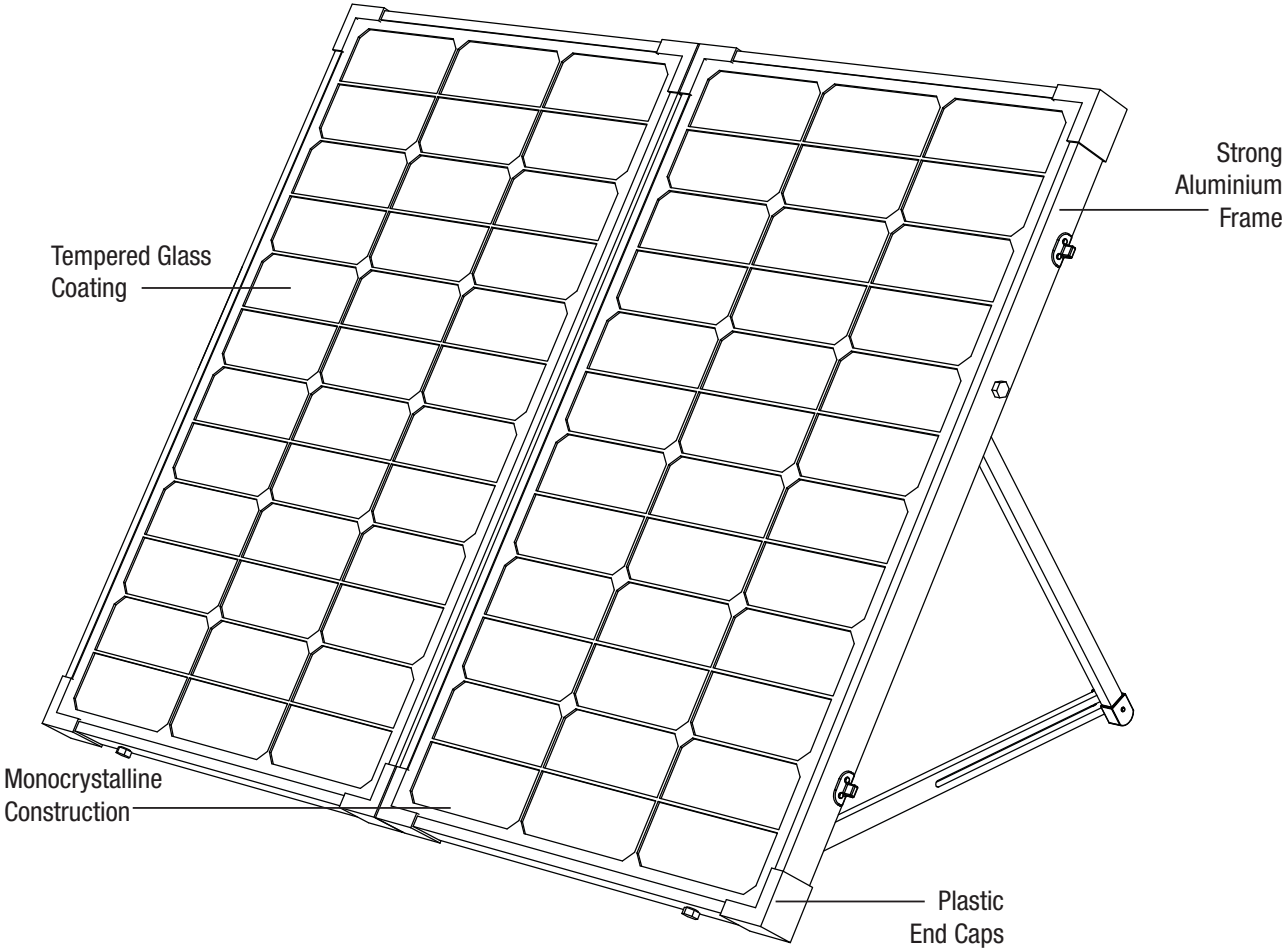
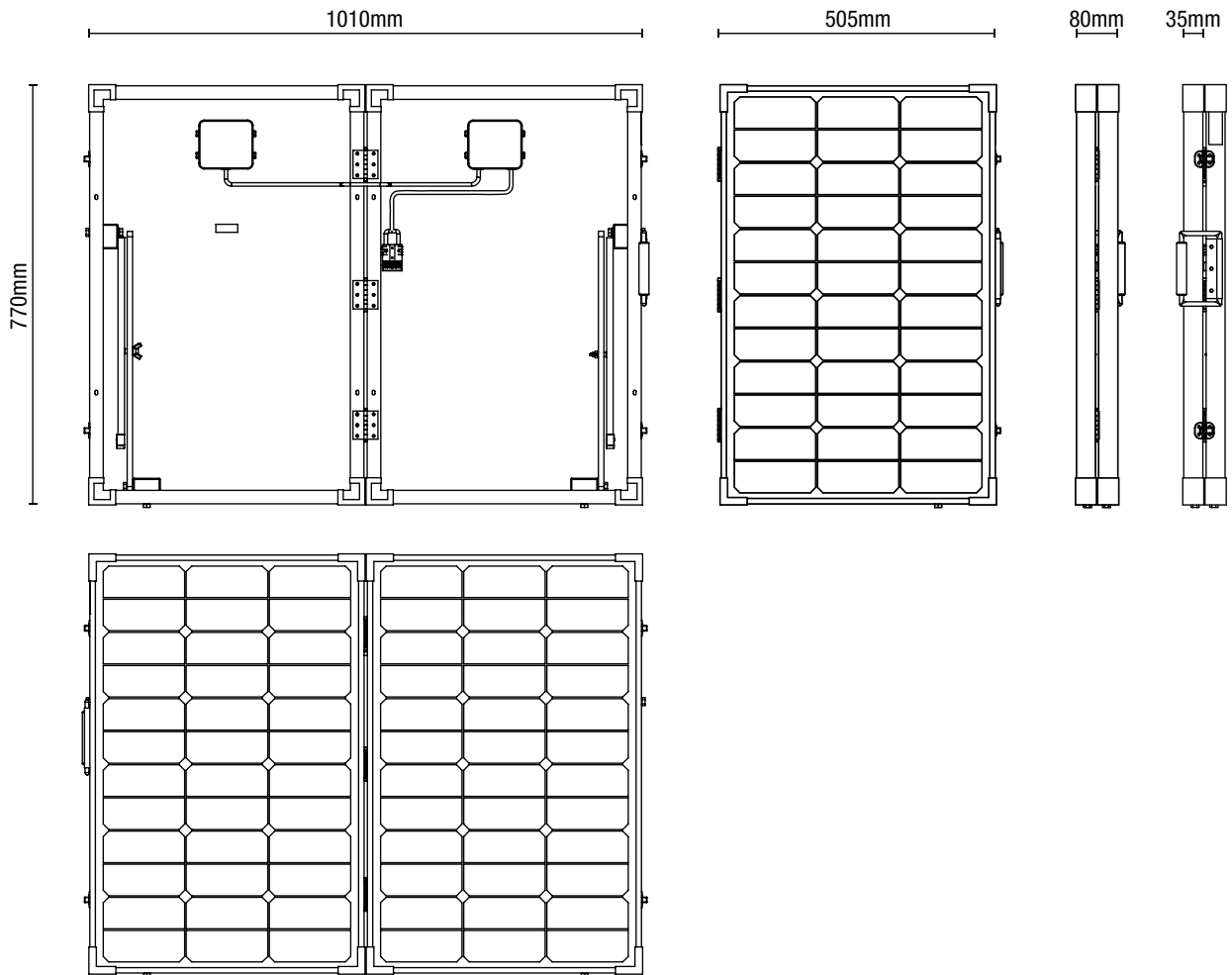


THE FOLDING SOLAR MODULE



120WATT MONO FOLDING PANEL



SPECIFICATIONS

Model	SMPA120	Short circuit Current	7.3A
Construction	Monocrystalline	Tolerance	±3%
Peak Power	120W (2 x 60W)	Max system Voltage	600VDC
Net Weight	12kg	Frame	Aluminium
Dimensions (Closed)	505x770x80mm	Cable length	0.4m
Dimensions (Open)	1010x770x35mm	Operating temp.	-40° to +85°C
Max power Voltage	17.8V	Std. test conditions	AM1.5, 1000W/m2, 25°C
Max power Current	6.7A	Manufactured in	China
Open circuit Voltage	22.3V	Certification	CE