

For Global Market



Maysun Solar

Monocrystalline Black PV Module

MS(285-315)M-60 Series

- ▶ High PID resist performance
- ▶ Steady power output
- ▶ Reducing cell series resistance
- ▶ More power output

System voltage 1000V/1500V standard

285	290	295	300	305	310	315
-----	-----	-----	-----	-----	-----	-----

EN

ELECTRICAL SPECIFICATIONS

STC rated output (P _{mpp})*	285 Wp	290 Wp	295 Wp	300 Wp	305 Wp	310 Wp	315 Wp
PV Module size	1640*992*35 MM						
Standard sorted output	0/+5 Wp						
Warranted power output STC (P _{nominal})	285 Wp	290 Wp	295 Wp	300 Wp	305 Wp	310 Wp	315 Wp
Rated voltage (V _{mpp}) at STC	32.21 V	32.45 V	32.69 V	32.93 V	33.17 V	33.41 V	33.65 V
Rated current (I _{mpp}) at STC	8.85 A	8.94 A	9.02 A	9.11 A	9.20 A	9.28 A	9.36 A
Open circuit voltage (V _{oc}) at STC	38.97 V	39.26 V	39.55 V	39.85 V	40.14 V	40.43 V	40.72 V
Short circuit current (I _{sc}) at STC	9.38 A	9.47 A	9.57 A	9.66 A	9.75 A	9.84 A	9.92 A
Module efficiency	17.5%	17.8%	18.1%	18.4%	18.7%	19.1%	19.4%
Rated output (P _{mpp}) at NOCT	209.5 Wp	213.2 Wp	216.9 Wp	220.5 Wp	224.2 Wp	227.9 Wp	231.6 Wp
Rated voltage (V _{mpp}) at NOCT	29.08 V	29.21 V	29.34 V	29.64 V	29.86 V	30.07 V	30.29 V
Rated current (I _{mpp}) at NOCT	7.21 A	7.30 A	7.39 A	7.44 A	7.51 A	7.58 A	7.65 A
Open circuit voltage (V _{oc}) at NOCT	36.19 V	36.36 V	36.52 V	37.08 V	37.16 V	37.42 V	37.69 V
Short circuit current (I _{sc}) at NOCT	7.67 A	7.77 A	7.87 A	7.92 A	7.99 A	8.07 A	8.14 A

Temperature coefficient (P _{mpp})	- 0.380%/K	Maximum system voltage (IEC)	1000V _{dc} / 1500V _{dc}
Temperature coefficient (I _{sc})	+0.042%/K	Number of diodes	3
Temperature coefficient (I _{mpp})	- 0.008%/K	Maximum series fuse rating	15 A
Temperature coefficient (V _{mpp})	- 0.373%/K		
Temperature coefficient (V _{oc})	- 0.284%/K		
Normal operating cell temperature (NOCT)	46±2°C		

* Measurement tolerance +/- 3%

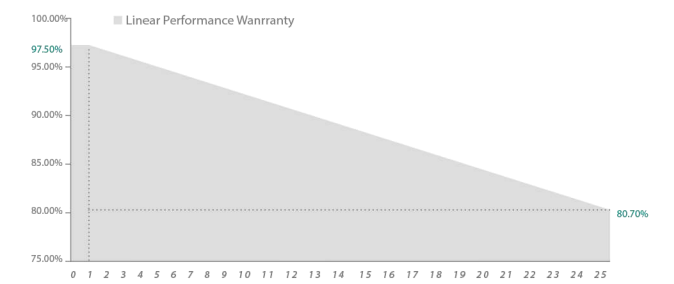


RELATED PARAMETERS	
Cell type	Monocrystalline
Number of cells / cell arrangement	60 / 6 x10
Cells dimension	6"
Packing unit	30 modules
Weight of packing unit (for container)	557 kg / 1228 lbs

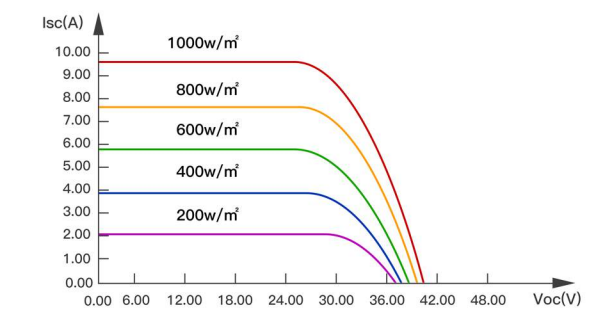
MECHANICAL SPECIFICATIONS	
Outer dimensions (L x W x H)	1640 x 992 x 35 mm 64.57 x 39.06 x 1.38 in
Frame technology	Black Aluminum, silver anodized
Module composition	Glass / EVA / Backsheet (black)
Weight (module only)	18 kg / 39.68 lbs
Front glass thickness	3.2 mm / 0.13 in
Junction box IP rating	IP 65/67
① Cable length (IEC)	600/900 mm / 23.62/35.43 in
Cable diameter (IEC)	12 AWG / 4 mm ²
② Maximum load capacity	5400 Pa
Fire performance (IEC)	Class C
Connector type (IEC)	MC4 compatible

Refer to Maysun Solar crystalline installation manual.

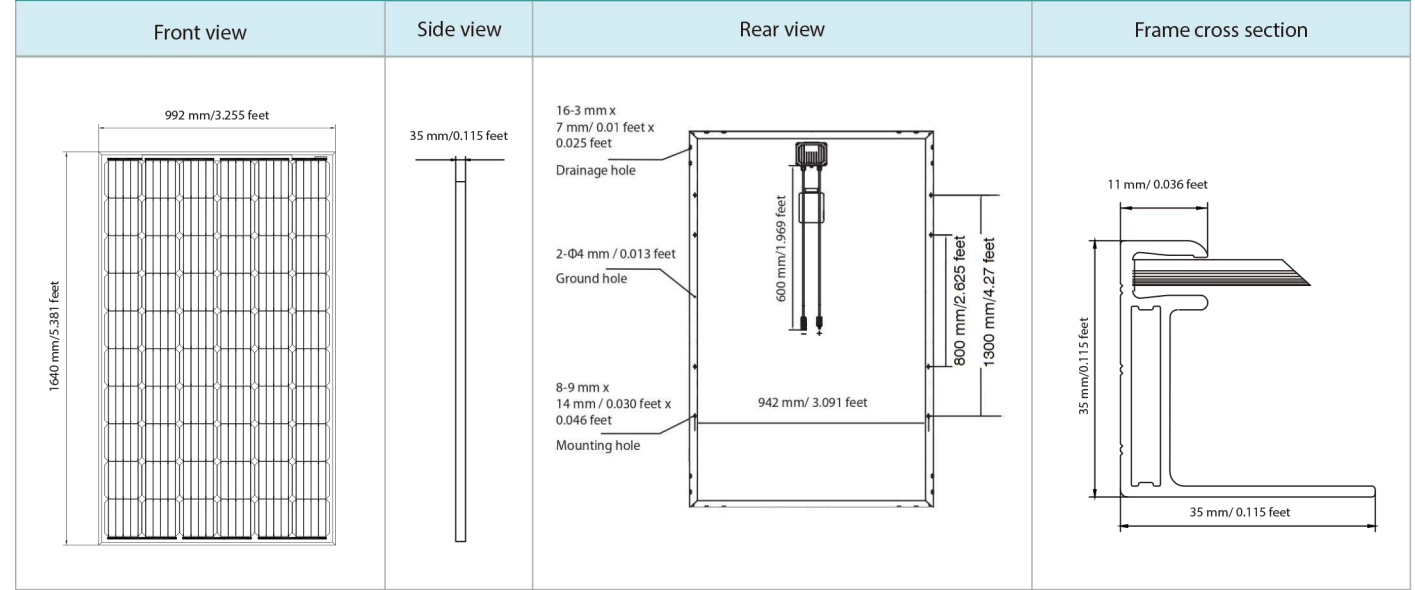
QUALIFICATION AND LINEAR WARRANTIES	
Product standard	IEC61215, 61730
Extended product warranty	12 years
Output decline 3%/year performance P _{mpp} (STC)	1 st year
Output decline 0.7%/year performance P _{mpp} (STC)	2 nd -25 th years



I-V Curves of PV module MS300M-60 at various solar irradiance



MODULE DIMENSION DETAILS



Maysun Solar FZCO Reserves the right of final interpretation. Specifications and designs included in this datasheet are subject to change without notice.

Maysun Solar FZCO
Address: No.FZS2AB01, Jebel Ali, Dubai, UAE
Website: www.maysunsolar.com