

PSI-J3000-TLM PSI-J4000-TLM | PSI-J5000-TLM | PSI-J6000-TLM



GEMINUS LINE | SINGLE PHASE INVERTER

FLEXIBLE ET EFFICIENT

- Optimized MPPT algorithm, MPPT efficiency higher than 99.9%
- Asymmetric dual MPPT, compatible with several types of solar arrays
- Max. efficiency higher than 97.6%, European efficiency higher than 97.1%
- Super wide input voltage range (80 V - 600 V), supporting various solar panels and string designs
- The generating capacity is improved with reduced derating under high temperature

CONVENIENT INSTALLATION

- Transformerless, smaller and lighter
- Fast installation and maintenance thanks to Plug-in connection
- MC4 connectors supplied with the inverter

SMART AND EASY TO USE

- Built-in independent RTC chip, supporting data storage of 25 years
- Integrated RS-232 with Wi-Fi interface, for better communication
- Free web monitoring system
- Local and remote intelligent management by PC, IOS and Android devices
- Automatic regulation of the active and reactive power supplied to the grid

SAFE AND RELIABLE

- IP65 protection for indoor and outdoor installation
- Aluminum case design to enhance heat dissipation and prevent rust corrosion, prolong life time
- Built-in high voltage DC switch
- Natural convection

Availability PSI-J3000-TLM: IT, ES, NL, PT, FR, IRL, UK (pending BE)

Availability PSI-J4000-TLM: IT, ES, NL, PT, FR, IRL, UK (pending BE)

Availability PSI-J5000-TLM: IT, ES, NL, PT, FR, IRL, UK (pending BE)

Availability PSI-J6000-TLM: IT, UK (pending BE)

2 MPPT

WI-FI CONNECTION

EASY, CONVENIENT & EFFICIENT
Connect your inverter to home Wi-Fi

QUICK PARAMETERS' CONFIGURATION
With communication module (integrated)

FREE APP FOR IOS AND ANDROID
To read data in real time

INPUT DC

	PSI-J3000-TLM	PSI-J4000-TLM	PSI-J5000-TLM	PSI-J6000-TLM
Max. DC Power	3630 W	4840 W	6050 W	7200 W
Max. DC Voltage	600 V	600 V	600 V	600 V
MPPT Voltage range	90-550 V	90-550 V	90-550 V	90-550 V
Nominal DC Voltage	360 V	360 V	360 V	360 V
Start Voltage	100 V	100 V	100 V	100 V
Min. DC Voltage	80 V	80 V	80 V	80 V
Max. DC Input Current	11 / 11 A	11 / 11 A	11 / 11 A	11 / 11 A
Max. Short Circuit Current	13.2 / 13.2 A	13.2 / 13.2 A	13.2 / 13.2 A	13.2 / 13.2 A
N. DC Connection per MPPT	1 / 1	1 / 1	1 / 1	1 / 1
Number of MPPT	2	2	2	2
DC Switch (DC21B)	Integrated	Integrated	Integrated	Integrated

OUTPUT AC

	3000 W	3680 ¹ / 4000 W	4600 ² / 5000 W	6000 W
Rated AC Power	3000 W	3680 / 4000 W	4600 / 5000 W	6000 W
Max. AC Power	3300 W	3680 / 4400 W	4600 / 5000 W	6000 W
Rated AC Current	13.0 A	16.0 / 17.4 A	20.0 / 21.7 A	26.1 A
Max. AC Current	15.0 A	16.0 / 21.0 A	22.2 / 25.0 A	28.7 A
Nominal AC Voltage / Range	220 V, 230 V, 240 V / 180 - 280 V			
Grid frequency / Range	50 Hz, 60 Hz / ±5 Hz			
Power factor [cos φ]	> 0.99 (full load)	0.9 leading ~ 0.9 lagging		0.8 lead. ~ 0.8 lagg.
Total Harmonic Distortion	< 3%			
Feed in	Single phase 1L + N + PE			

EFFICIENCY

Max. Efficiency	97.6 %	97.8 %	97.9 %	97.9 %
Euro Efficiency	97.1 %	97.4 %	97.5 %	97.5 %
MPPT Accuracy	> 99.9 %	> 99.9 %	> 99.9 %	> 99.9 %

GENERAL DATA

Topology	Transformerless		
Consumption at Night	< 0.2 W		
Consumption at Standby	6 W		
Operating Temperature Range	From -25 °C to + 60 °C (45 °C to 60 °C with derating)		
Cooling Method	Natural Convection		
Ambient Humidity	From 0% to 100% Non-condensing		
Altitude	Up to 2000 m (without derating)		
Noise	< 25 dBA		
Overvoltage category	II (DC input), III (AC output)		
Ingress Protection	IP65 (Indoor & Outdoor Installation)		
Mounting	Rear Panel		
Dimensions (H x W x D)	454 x 355 x 150 mm	454 x 355 x 162 mm	
Net Weight	14.8 kg	15.8 kg	
Warranty	5 Years (standard) / 10 Years (optional)		

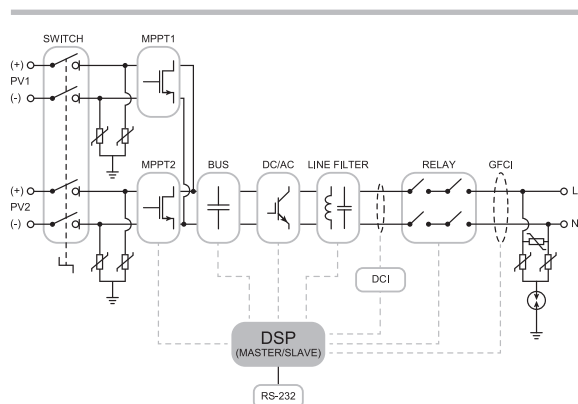
INTERFACE

AC Connection	Plug-in connector
DC Connection	MC4 / H4
LCD	LCD (16 x 2 characters, backlight)
LED	LED (3 lights)
Display Language	Italian / English / Spanish
Communication Port	RS-232
Communication Mode	Wi-Fi / Ethernet (optional)

PROTECTION

Internal Over-Voltage Protection	Integrated
DC Insulation Monitoring	Integrated
DCI Monitoring	Integrated
GFCI Monitoring	Integrated
Grid Monitoring	Integrated
AC Short Circuit Current Protection	Integrated
Thermal Protection	Integrated
Anti-island Protection Monitoring	AFD

ELECTRICAL DIAGRAM



CERTIFICATES

For a complete list of certificates visit www.peimar.com

1. Meet the grid standard that AC current per phase not exceeding 16A

2. Comply with VDE - ARN - N 4105 so as the maximum apparent power of a phase is 4600 VA