

Produced by SOLVIS d.o.o.

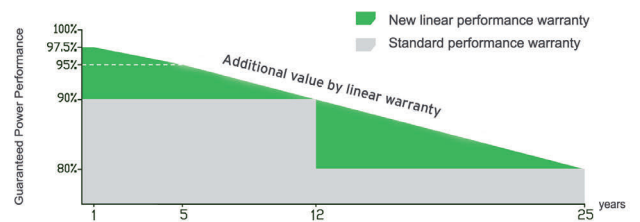
Type:

GPV270P-60

GermanPV-module »poly high performance«

- Modules with high degree of efficiency up to 16.5 %
- High efficiency at low light conditions with superior transmission properties
- Anti-reflective coating improves light absorption and reduces surface dust
- Particularly stable - tested planar pressureload of 5,400 N/m²
- Suitable for extreme climatic conditions
- High salt mist and ammonia resistance
- Up to 4.9 W more module power
- Free of potential induced degradation (PID-free) = higher performance stability

Linear performance warranty



Mechanical Characteristics

Cell Type: Poly-crystalline 156 x 156 mm (6 inch)
 No. of cells: 60 (6 x 10)
 Dimensions: 1,640 x 992 x 40 mm
 Weight: 18.7 kg
 Front Glass: 3.2 mm, High Transmission,
 Low Iron, Tempered Glass
 Frame: Anodized Aluminium Alloy, RAL 9005
 Junction Box: IP67 rated
 Output Cables: Length 1000 mm, 4.0 mm²
 Unit pressure: max. 5,400 N/m²

Technical data

Module Type	GPV270P-60
Maximum Power at STC (Pmax)	270Wp
Maximum Power Voltage U _{mp}	31.1 V
Maximum Power Current I _{mp}	8.69 A
Open-circuit Voltage (V _{oc})	38.3 V
Short-circuit Current (I _{sc})	9.27 A
Module Efficiency (%)	16.5 %
Operating Temperature (°C)	-40 °C till +85 °C
Maximum system voltage	1,000 V
Power tolerance	0 % till 4.9 %
Temperature coefficients of P _{max}	-0.42 %/°C
Temperature coefficients of V _{oc}	-0.34 %/°C
Temperature coefficients of I _{sc}	0.06 %/°C
Nominal operating cell temperature (NOCT)	20 °C

GermanPV-modules are produced according to the well-proven glass-foil method of production. The back-mounted composite film and the complete edge sealing vouchsafe the high quality of the laminate structure. This guarantees an extremely long life cycle and a higher performance stability. The fully automated production process provides for a continuously high product quality of the photovoltaic modules which results in a maximum degree of efficiency per module of 16.5 %.

Qualification | Certification

These special-made laminates are certified by IEC EN 61215, IEC EN 61730-1 and IEC EN 61730-2. A free of charge withdrawal and professional disposal will be guaranteed.

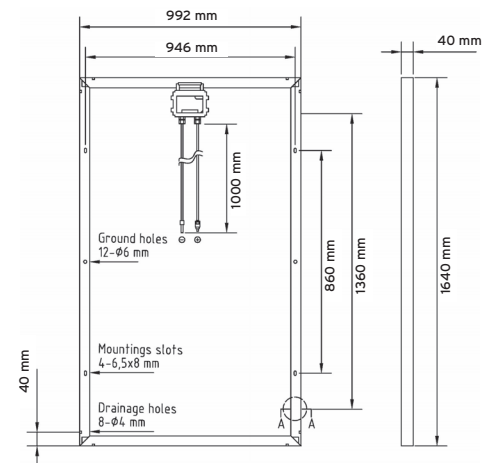
Quality | Reliability

The production site has been certified by the TÜV Nord according to ISO 9001/2008, ISO 14001/2004, OHSAS18001/2007, CE and MCS. The modules will be produced exclusively for the GermanPV GmbH by the solar global corporation SOLVIS d.o.o.

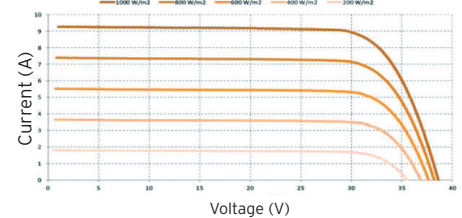
Warranty for modules ensured by SOLVIS d.o.o.

- 25 years linearely performance warranty with a maximum 20 % drop in performance
- 10 years product warranty

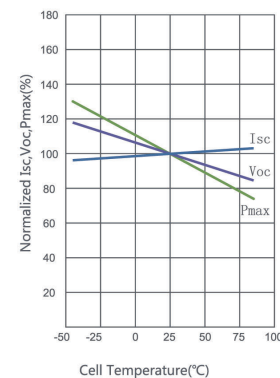
The guarantee conditions of the SOLVIS d.o.o. are valid.



Current-Voltage & Power-Voltage Curve



Temperature Dependence of I_{sc}, V_{oc}, P_{max}



Delivery with solar power supply cords (socket and connector system), length: 1000 mm

STB: All details regarding electric data apply to vertical irradiation at 1,000 W/m² and a temperature of 25 °C (normal conditions with AM = 1.5).