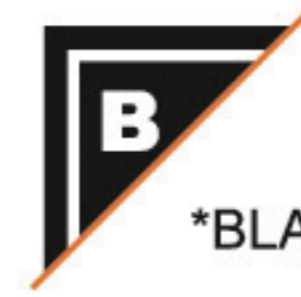
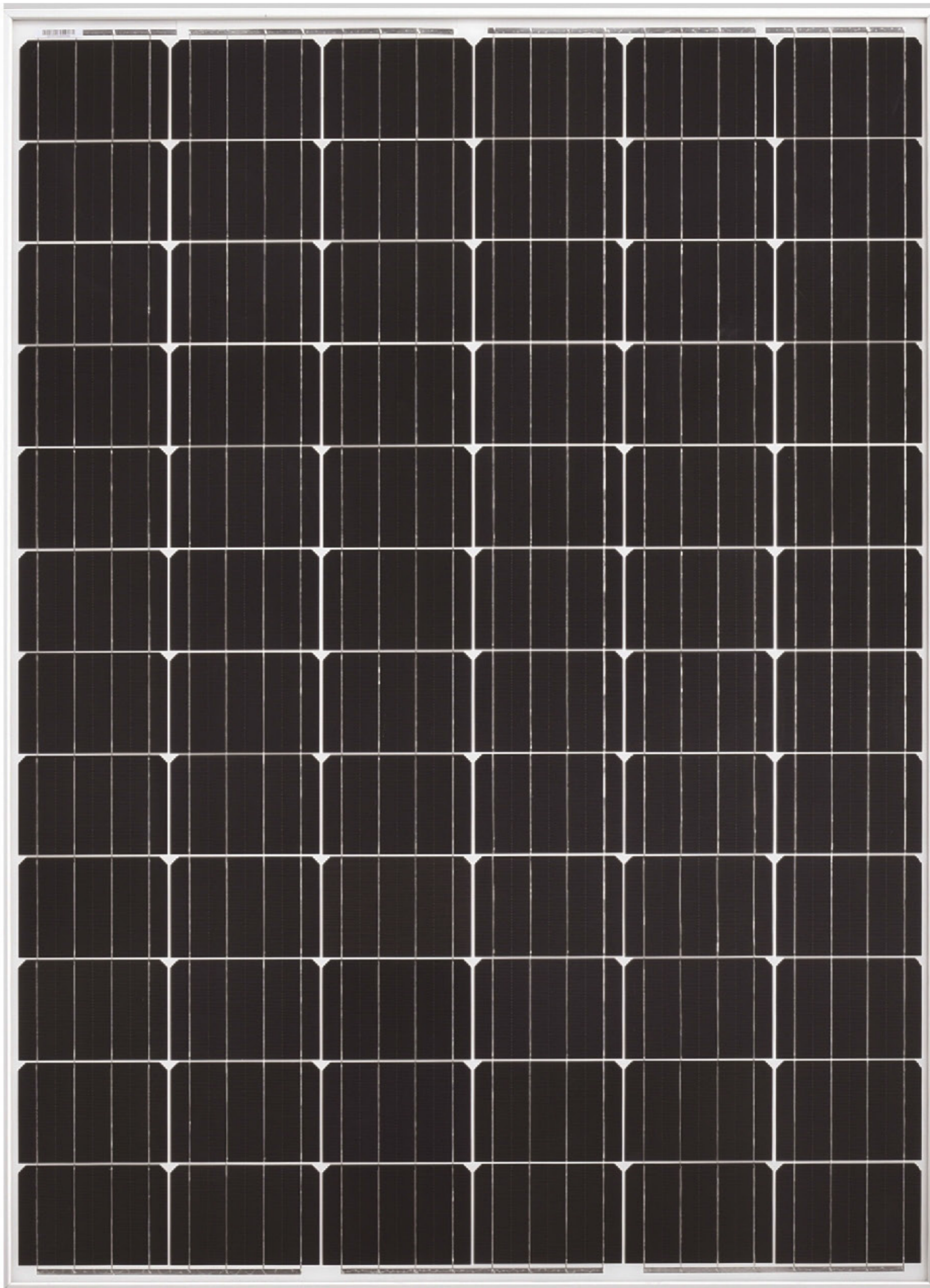





# 170~255 Watt



\*BLACK FRAME/BLACK BACK-SHEET PRODUCTS ARE AVAILABLE UPON REQUEST

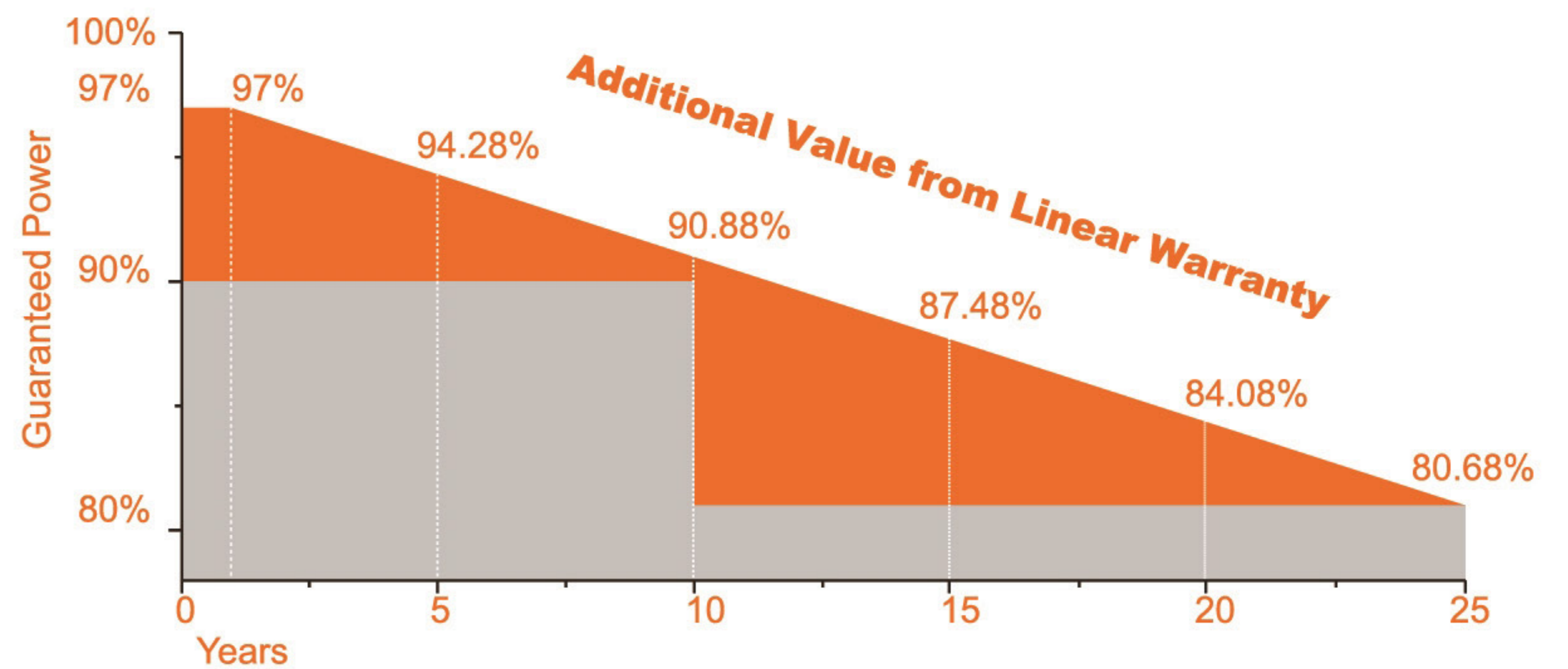
## MANAGEMENT SYSTEM

-  ISO 9001: Quality management system
-  ISO 14001: Standard for environmental management system
-  OHSAS 18001: International standard for occupational health and safety assessment system

## PRODUCT CERTIFICATES



## WARRANTY



**10** Years  
Material & Craft  
Quality  
assurance

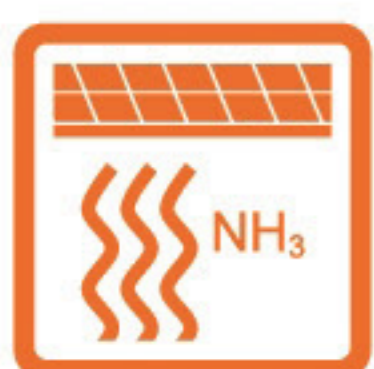
**10** Years  
90% Output  
Power  
guarantee

**25** Years  
80% Output  
Power  
guarantee

## Safety



Safety for salt mist corrosion (IEC61701, tested in TUV)



Safety for ammonia corrosion (IEC62716, tested in TUV)



Safety for fire risk (Class A, tested in TUV)

## Key



High stability of the aluminium frame



High quality junction box and connector systems



100% inspection, to guarantee the reliability of solar systems

## Technology



Using high efficiency mono solar cells



Excellent performance in low-light environments



High transmissivity, low-iron tempered glass.

### Electrical Characteristics (STC)

Module Type	KF170M-24	KF175M-24	KF180M-24	KF185M-24	KF190M-24	KF195M-24
Maximum Power- Pmax(W)	170	175	180	185	190	195
Open Circuit Voltage - Voc(V)	44.9	45.1	45.3	45.5	45.8	44.7
Short- Circuit Current - Isc(A)	5.03	5.15	5.27	5.37	5.49	5.77
Voltage at Pmax -Vmp(V)	36.5	36.7	36.9	37.2	37.4	36.5
Current at Pmax - Imp(A)	4.66	4.77	4.88	4.97	5.08	5.34
Module Efficiency -ηm (%)	14.77	15.21	15.64	16.08	16.51	14.78

Module Type	KF200M-24	KF205M-24	KF210M-24	KF215M-24	KF220M-24	KF225M-24
Maximum Power- Pmax(W)	200	205	210	215	220	225
Open Circuit Voltage - Voc(V)	45.1	45.2	45.3	45.5	45.8	45.1
Short- Circuit Current - Isc(A)	5.89	6.02	6.15	6.24	6.35	6.62
Voltage at Pmax -Vmp(V)	36.7	36.8	36.9	37.2	37.4	36.7
Current at Pmax - Imp(A)	5.45	5.57	5.69	5.78	5.88	6.13
Module Efficiency -ηm (%)	15.16	15.54	15.92	16.30	16.67	15.33

Module Type	KF230M-24	KF235M-24	KF240M-24	KF245M-24	KF250M-24	KF255M-24
Maximum Power- Pmax(W)	230	235	240	245	250	255
Open Circuit Voltage - Voc(V)	45.2	45.3	45.5	45.8	46.2	46.6
Short- Circuit Current - Isc(A)	6.75	6.88	6.97	7.07	7.18	7.29
Voltage at Pmax -Vmp(V)	36.8	36.9	37.2	37.4	37.6	37.8
Current at Pmax - Imp(A)	6.25	6.37	6.45	6.55	6.65	6.75
Module Efficiency -ηm (%)	15.67	16.01	16.35	16.69	17.03	17.37

STC: Irradiance 1000W/m<sup>2</sup>, Cell Temperature 25°C, Air Mass 1.5

Power Tolerance(W)	(0,+4.99)
Maximum System Voltage(V)	1000
Maximum Series Fuse Rating (A)	20
Operating Temperature	-40~+85°C

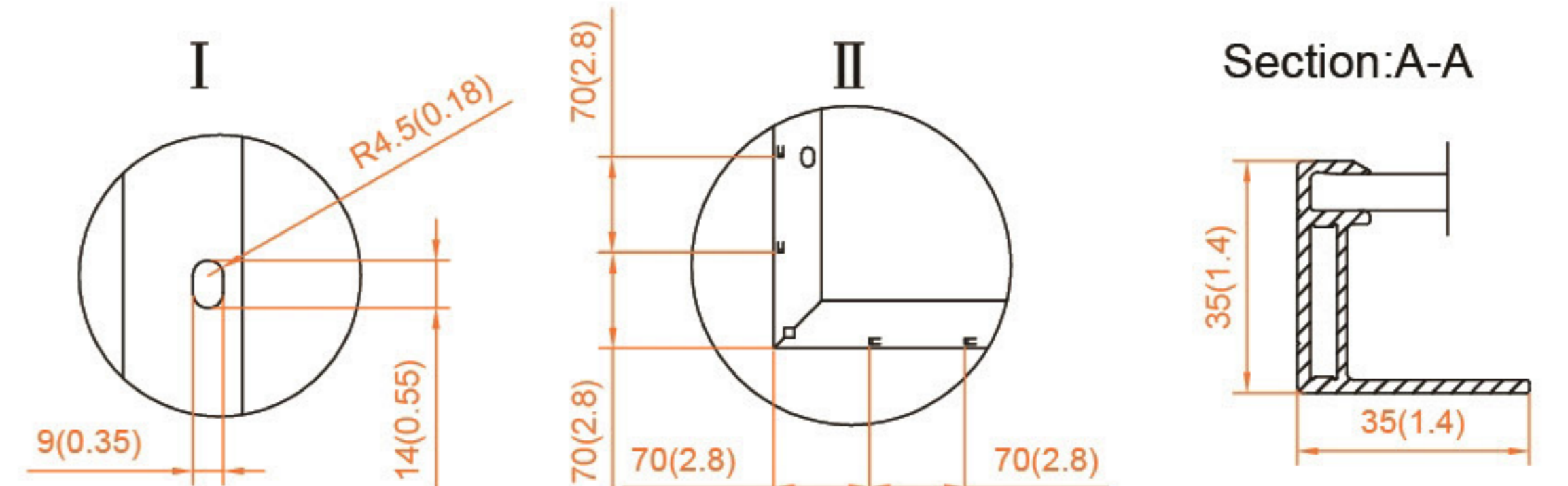
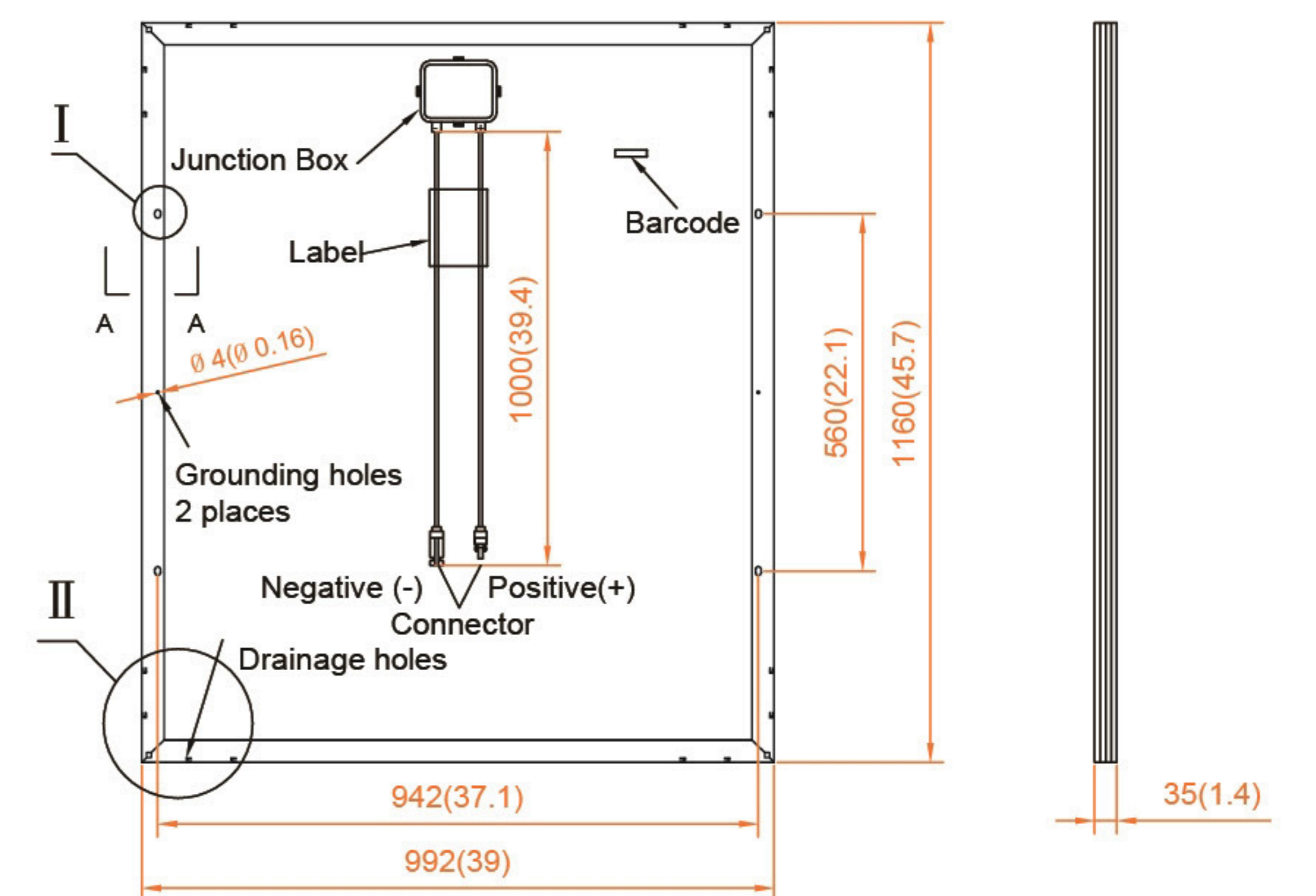
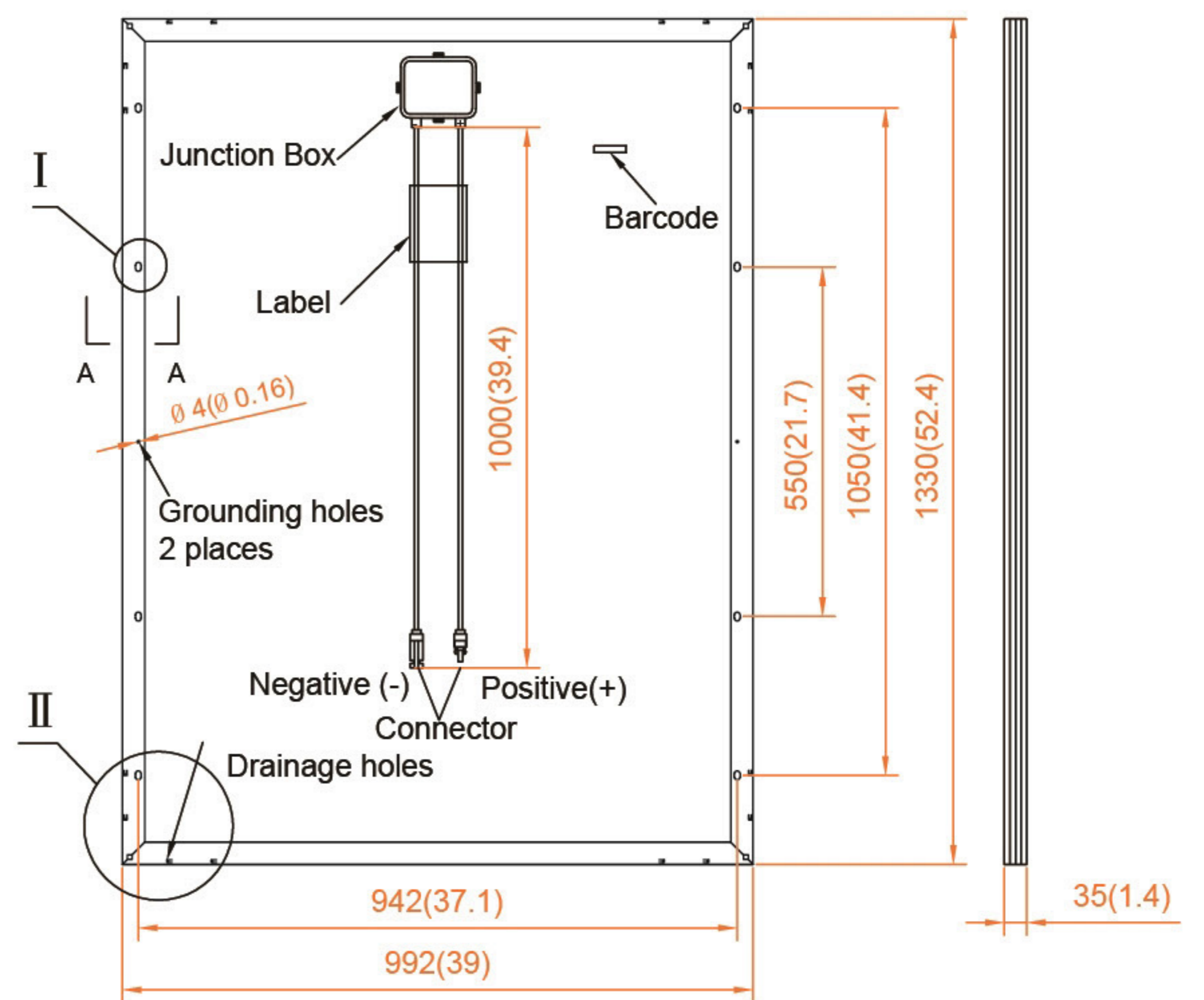
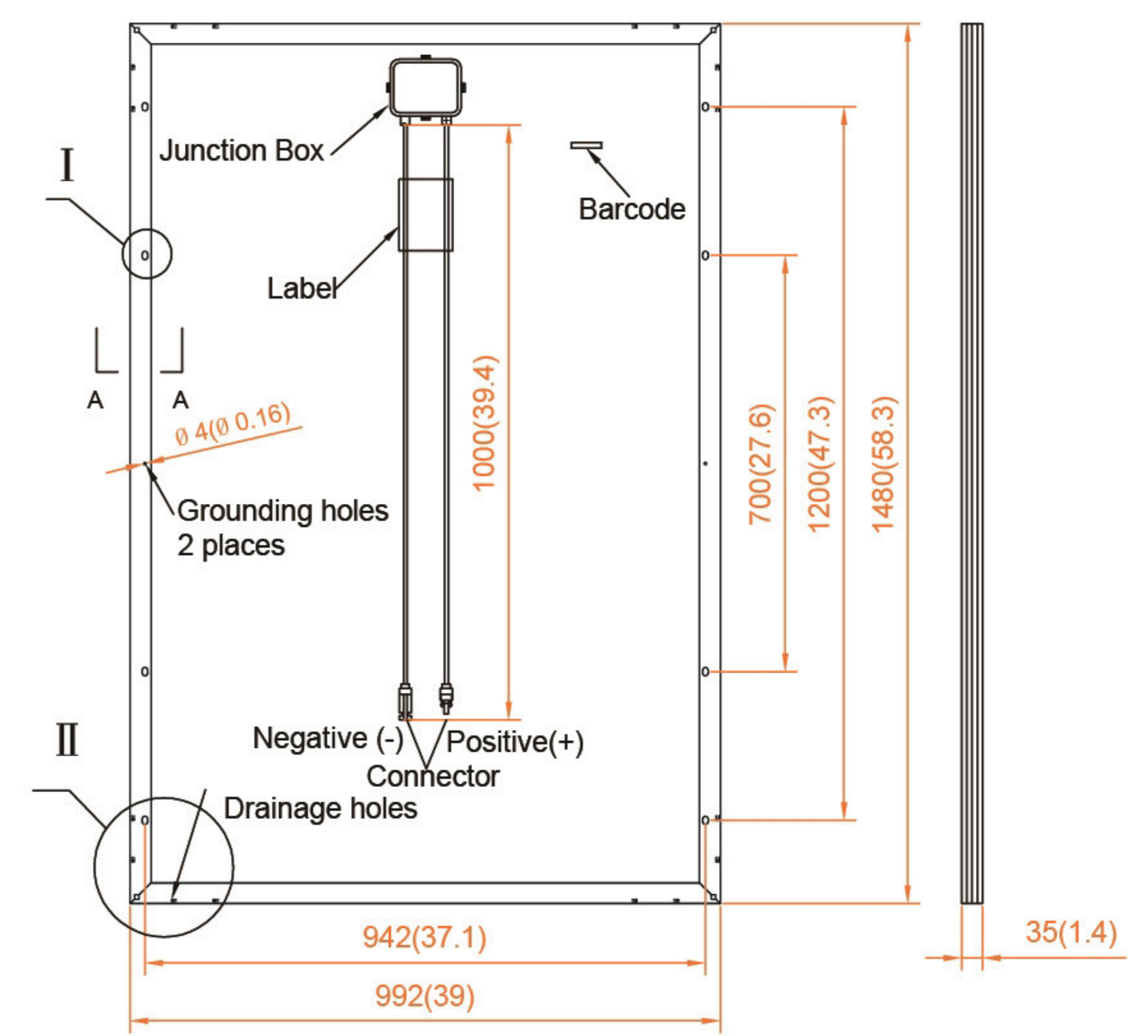
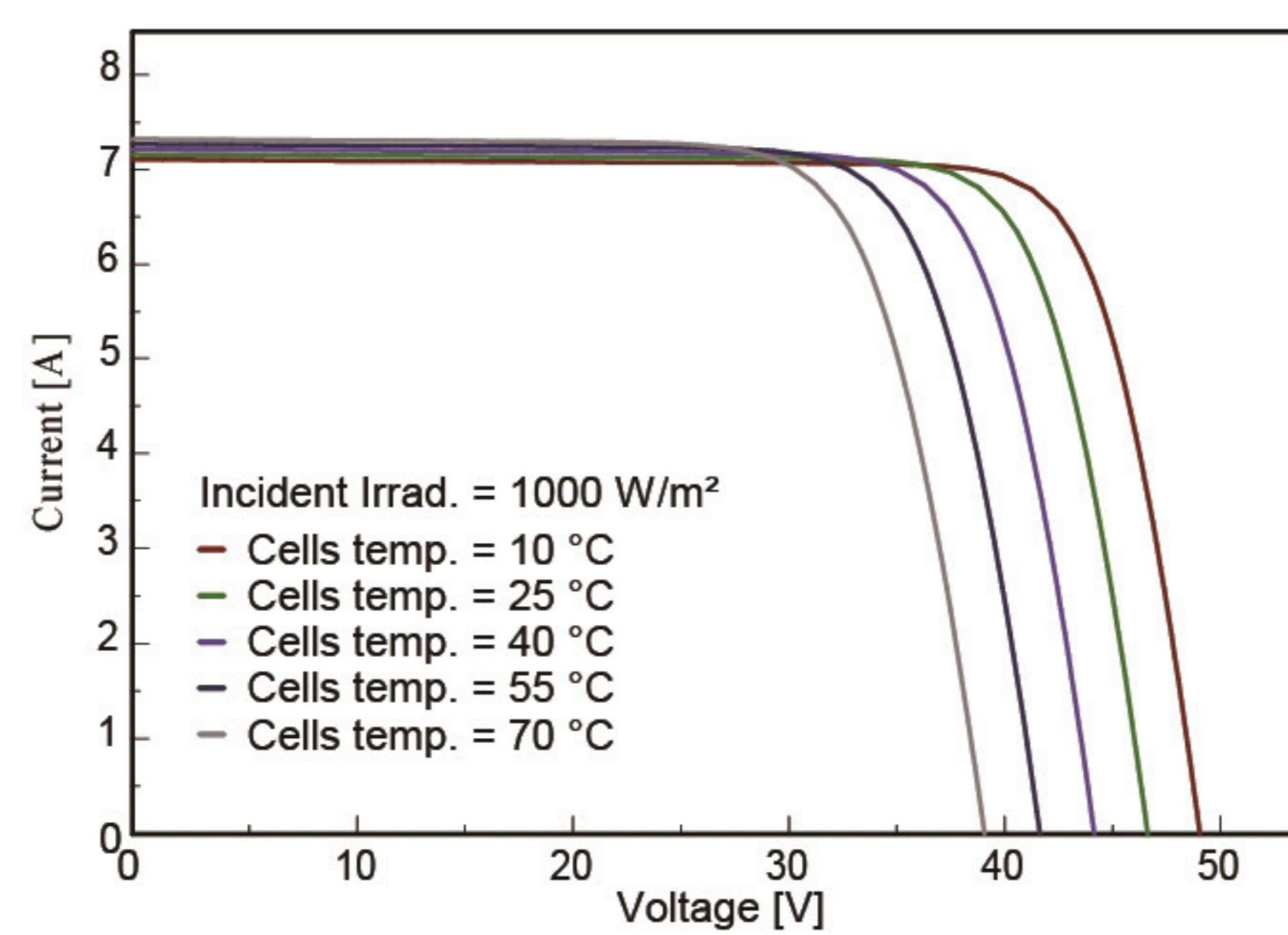
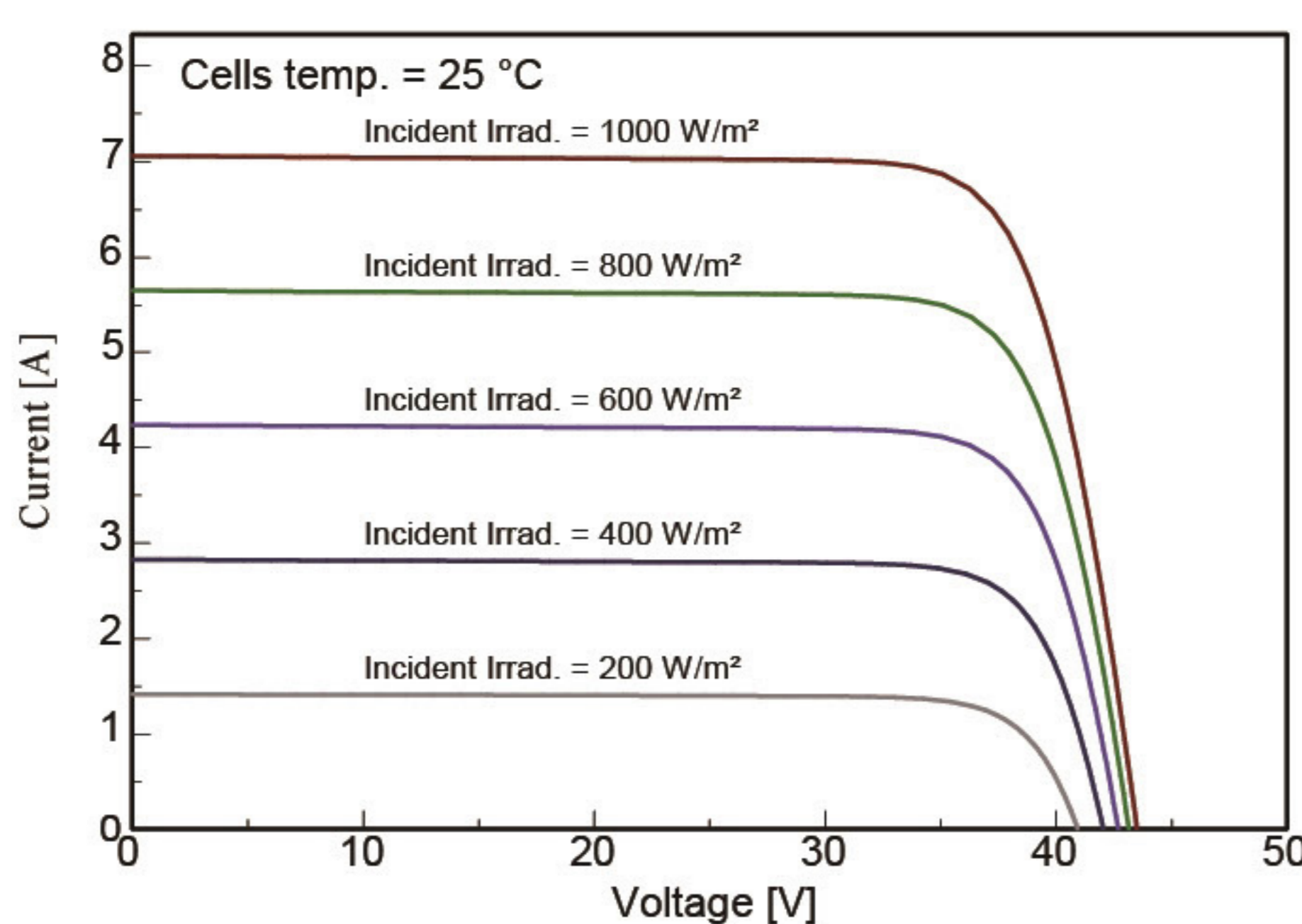
### Mechanical Specifications

Module Type	KF225M~255M-24	KF195M~220M-24	KF170M~190M-24
External Dimensions	1480×992×35mm	1330×992×35mm	1160×992×35mm
Weight	17kg	15kg	13kg
Mono Solar Cells	117×156mm (72pcs)	104×156mm (72pcs)	90×156mm (72pcs)
Front Glass	3.2 mm tempered glass, low iron	3.2 mm tempered glass, low iron	3.2 mm tempered glass, low iron
Frame	Anodized aluminum alloy	Anodized aluminum alloy	Anodized aluminum alloy
Junction Box	IP67	IP67	IP67
Output Cables	4.0 mm <sup>2</sup> , cable length:1000 mm	4.0 mm <sup>2</sup> , cable length:1000 mm	4.0 mm <sup>2</sup> , cable length:1000 mm
Connector	MC4 Compatible	MC4 Compatible	MC4 Compatible
Mechanical Load	5400 Pa	5400 Pa	5400 Pa

### Packing Configuration

Module Type	KF225M~255M-24	KF195M~220M-24	KF170M~190M-24
Carton Dimensions	1520×1110×1007mm	1370×1110×1007mm	1200×1110×1007mm
Pallet Dimensions	1530×1120×1140mm	1380×1120×1140mm	1210×1120×1140mm
Pallet Weight	570kg	510kg	450kg
Pieces per Pallet	30(5pcs/carton)	30(5pcs/carton)	30(5pcs/carton)

### I-V Curve (KF245M-24)



All Dimensions in mm (inch)  
The above drawing is a graphical representation of the product.  
For engineering quality drawings please contact KFSOLAR.