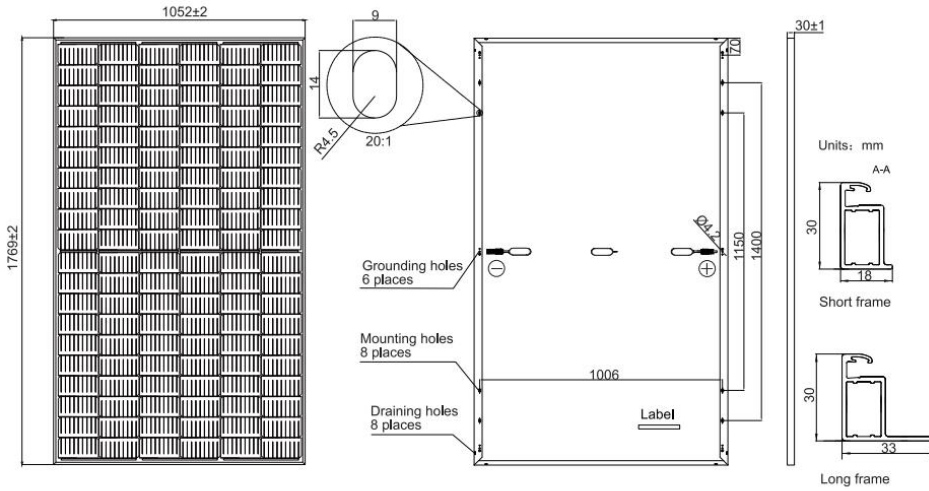


# SN370W-395W/175MM



## SOLAR MODULE PERC MONO CRSTALLINE

### MECHANICAL DIAGRAMS



Remark: customized frame color and cable length available upon request

### SPECIFICATIONS

Cell	Mono
Weight	20.2kg
Dimensions	1769±2mm×1052±2mm×30±1mm
Cable Cross Section Size	4mm <sup>2</sup> (IEC) ,12 AWG(UL)
No. of cells	120(6×20)
Junction Box	IP68, 3 diodes
Connector	MC4-EVO2/ QC 4.10-35
Cable Length (Including Connector)	Portrait:300mm(+)/400mm(-); Landscape:1000mm(+)/1000mm(-)
Packaging Configuration	36pcs/Pallet 936pcs/40HQ Container

### ELECTRICAL PARAMETERS AT STC

TYPE	SN 370W	SN 375W	SN 380W	SN 385W	SN 390W	SN 395W
Rated Maximum Power(Pmax) [W]	370	375	380	385	390	395
Open Circuit Voltage(Voc) [V]	41.30	41.45	41.62	41.78	41.94	42.07
Maximum Power Voltage(Vmp) [V]	34.23	34.50	34.77	35.04	35.33	35.62
Short Circuit Current(Isc) [A]	11.35	11.41	11.47	11.53	11.58	11.63
Maximum Power Current(Imp) [A]	10.81	10.87	10.93	10.99	11.04	11.09
Module Efficiency [%]	19.9	20.2	20.4	20.7	21.0	21.2
Power Tolerance						0~+5W
Temperature Coefficient of Isc( $\alpha_{Isc}$ )						+0.044%/°C
Temperature Coefficient of Voc( $\beta_{Voc}$ )						-0.272%/°C
Temperature Coefficient of Pmax( $\gamma_{Pmp}$ )						-0.350%/°C
STC	Irradiance 1000W/m <sup>2</sup> , cell temperature 25°C, AM1.5G					

Remark: Electrical data in this catalog do not refer to a single module and they are not part of the offer.They only serve for comparison among different module types.

### ELECTRICAL PARAMETERS AT NOCT

TYPE	SN 370W	SN 375W	SN 380W	SN 385W	SN 390W	SN 395W	OPERATING CONDITIONS	
Rated Max Power(Pmax) [W]	280	284	287	291	295	299	Maximum System Voltage	1000V/1500V DC
Open Circuit Voltage(Voc) [V]	38.65	38.89	39.14	39.38	39.63	39.78	Operating Temperature	-40°C~+85°C
Max Power Voltage(Vmp) [V]	32.30	32.55	32.72	32.96	33.20	33.44	Maximum Series Fuse Rating	20A
Short Circuit Current(Isc) [A]	9.20	9.25	9.30	9.35	9.40	9.45	Maximum Static Load,Front	5400Pa (112 lb/ft <sup>2</sup> )
Max Power Current(Imp) [A]	8.66	8.71	8.78	8.83	8.88	8.93	Maximum Static Load,Back	2400Pa (50 lb/ft <sup>2</sup> )
NOCT	Irradiance 800W/m <sup>2</sup> , ambient temperature 20°C, wind speed 1m/s, AM1.5G						NOCT	45±2°C
							Safety Class	Class II
							Fire Performance	UL Type 1

### CHARACTERISTICS

