

INE-72M SERIES 6 INCH 72 CELLS

360-380w

PRODUCT CERTIFICATES



KEY FEATURES

0~3%

Output positive tolerance/Guaranteed 0~3% positive tolerance ensures the power output reliability

PERC

Innovative Perc Cell Technology/Outstanding power output performance by perc cell



Anti PID technology/Excellent Anti-PID performance

NEW
-IEC-

Tested and certified according IEC standard /IEC61215/IEC61730 standard quality



Highly reliable due to stringent quality control/Three times strict EL testing beyond certification requirements

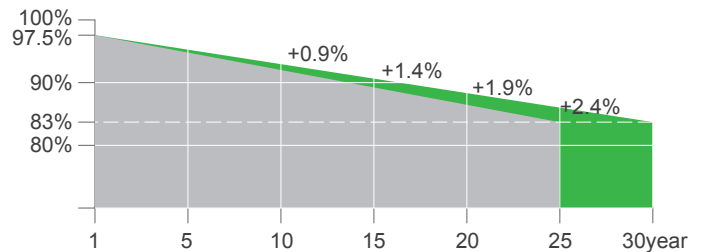


Lower temperature coefficients/Outstanding power output capability at low irradiance

SYSTEM CERTIFICATES

IEC 61215 / IEC 61730
ISO 9001 : Quality Management System
ISO 14001 : Environment Mangement System
OHSAS 18001 : Occupational Health and Safety Management System

WARRANTY



12
years

12-year Warranty for Materials and Processing

30
years

30-year Warranty for Extra Linear Power Output

ELECTRICAL PARAMETERS AT STC

Module Type	INE-360-72M	INE-365-72M	INE-370-72M	INE-375-72M	INE-380-72M
Rated Maximum Power(Pmax) [W]	360	365	370	375	380
Open Circuit Voltage(Voc) [V]	47.21	47.47	47.73	48.00	48.27
Maximum Power Voltage(Vmp) [V]	38.51	38.72	38.93	39.15	39.37
Short Circuit Current(Isc) [A]	9.71	9.79	9.87	9.95	10.02
Maximum Power Current(Imp) [A]	9.35	9.43	9.50	9.58	9.65
Module Efficiency [%]	18.55	18.81	19.06	19.32	19.58

STC: Irradiance 1000 W/m2 module temperature 25°C AM=1.5

ELECTRICAL PARAMETERS AT NOCT

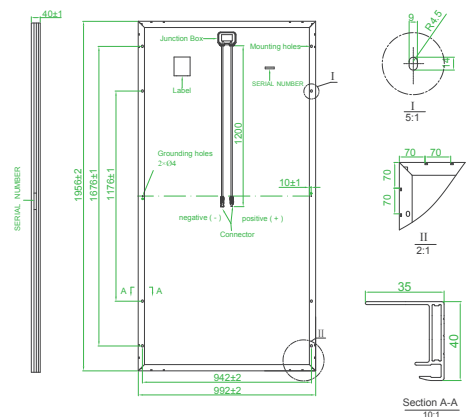
Module Type	INE-360-72M	INE-365-72M	INE-370-72M	INE-375-72M	INE-380-72M
Rated Maximum Power(Pmax) [W]	270	274	278	282	288
Open Circuit Voltage(Voc) [V]	43.65	43.90	44.16	44.42	44.69
Maximum Power Voltage(Vmp) [V]	36.11	36.32	36.53	36.75	36.97
Short Circuit Current(Isc) [A]	7.93	8.00	8.07	8.13	8.26
Maximum Power Current(Imp) [A]	7.48	7.54	7.61	7.67	7.79

NOCT: Irradiance 800 W/m2 ambient temperature 20°C wind speed: 1m/s

MECHANICAL SPECIFICATION

Cell Type	Monocrystalline
Cell Dimensions	156.75*156.75mm(6inch)
Cell Arrangement	72(7*12)
Weight	22.5kg
Module Dimensions	1956*992*40mm
Cable	4.0 mm ² , wire length: 1200 mm or Customized Length
Front Glass	3.2 mm AR coating tempered glass, low iron
Frame	Anodized aluminium alloy
Junction Box	IP67/IP68
Connector	MC4 Compatible
Mechanical Load	Front side 5400Pa/ Rear side 2 400Pa

Technical drawing(INE-XXX-72M)



* All Dimensions in mm.
 * The above drawing is a graphical representation of the product.
 For engineering quality drawings please contact IDEAL NEW ENERGY.

OPERATING CONDITIONS

Power Tolerance (W)	(0,+4.99)
Maximum System Voltage (V)	1000VDC / 1500VDC
Pmax Temperature Coefficient	-0.36 %/°C
Voc Temperature Coefficient	-0.28%/°C
Isc Temperature Coefficient	+0.05 %/°C
Nominal Operating Cell Temperature	45±2 °C
Operating Temperature	-40 °C -+85 °C
Maximum Series Fuse	20A

PACKING CONFIGURATION

Quantity/Pallet	27pcs/pallet
Pallets/Container	10pallet/20GP; 22pallet/40HQ
Quantity/Container	270pcs/20GP; 696pcs/40HQ

I-V Curve

