



PSI-J4000-TP | PSI-J5000-TP PSI-J6000-TP | PSI-J8000-TP | PSI-J10000-TP

VIRTUS LINE | THREE PHASE INVERTER

FLEXIBLE AND EFFICIENT

- Optimized MPPT algorithm, MPPT efficiency higher than 99.9%
- Asymmetric dual MPPT, compatible with several types of solar arrays
- Max. efficiency higher than 97.8%, European efficiency higher than 97.0%
- Super wide input voltage range (150 V - 1000 V), supporting various solar panels and string designs
- The generating capacity is improved with reduced derating under high temperature

CONVENIENT INSTALLATION

- Transformerless, smaller and lighter
- Fast installation and maintenance thanks to Plug-in connection
- MC4 connectors supplied with the inverter

SMART AND EASY TO USE

- Built-in independent RTC chip, supporting data storage of 25 years
- Integrated LCD graphical display, showing daily / monthly / yearly generation
- Integrated RS-232 with Wi-Fi interfaces, for better communication
- Free web monitoring system
- Local and remote intelligent management by PC, iOS and Android devices
- Automatic regulation of the active and reactive power supplied to the grid

SAFE AND RELIABLE

- IP65 protection for indoor and outdoor installation
- Aluminum case design to enhance heat dissipation and prevent rust corrosion, prolong life time
- Built-in high voltage DC switch
- Natural convection

Availability PSI-J4000-TP: IT

Availability PSI-J5000-TP: IT

Availability PSI-J6000-TP: IT

Availability PSI-J8000-TP: IT

Availability PSI-J10000-TP: IT



MPPT



WI-FI CONNECTION



EASY, CONVENIENT & EFFICIENT
Connect your inverter to home Wi-Fi



QUICK PARAMETERS CONFIGURATION
with Web Monitoring System



FREE APP FOR IOS AND ANDROID
to read data in real time

INPUT DC

	PSI-J4000-TP	PSI-J5000-TP	PSI-J6000-TP	PSI-J8000-TP	PSI-J10000-TP
Max. DC Power	4840 W	6050 W	7260 W	9680 W	12000 W
Max. DC Voltage	1000 V	1000 V	1000 V	1000 V	1000 V
MPPT Voltage range	160-900 V	160-900 V	160-900 V	160-900 V	160-900 V
Nominal DC Voltage	600 V	600 V	600 V	600 V	600 V
Start Voltage	180 V	180 V	180 V	180 V	180 V
Min. DC Voltage	150 V	150 V	150 V	150 V	150 V
Max. DC Input Current	11 / 11 A	11 / 11 A	11 / 11 A	22 / 11 A	22 / 11 A
Max. Short Circuit Current	13.2 / 13.2 A	13.2 / 13.2 A	13.2 / 13.2 A	26.4 / 13.2 A	26.4 / 13.2 A
N. DC Connection per MPPT	1 / 1	1 / 1	1 / 1	2 / 1	2 / 1
Number of MPPT	2	2	2	2	2
DC Switch (DC21B)	Integrated	Integrated	Integrated	Integrated	Integrated

OUTPUT AC

	PSI-J4000-TP	PSI-J5000-TP	PSI-J6000-TP	PSI-J8000-TP	PSI-J10000-TP
Rated AC Power	4000 W	5000 W	6000 W	8000 W	10000 W
Max. AC Power	4000 W	5000 W	6000 W	8000 W	10000 W
Rated AC Current	5.8 A	7.2 A	8.7 A	11.6 A	14.5 A
Max. AC Current	6.4 A	8.1 A	9.7 A	12.9 A	15.9 A
Nominal AC Voltage / Range	220 / 380 V, 230 / 400 V, 240 / 415 V; 180 - 280 V / 312 - 485 V				
Grid frequency / Range	50Hz, 60Hz / 44 - 55Hz, 54 - 65Hz				
Power factor [cos φ]	0.9 leading - 0.9 lagging				
Total Harmonic Distortion	< 3%				
Feed in	Three phase 3L + N + PE				

EFFICIENCY

	PSI-J4000-TP	PSI-J5000-TP	PSI-J6000-TP	PSI-J8000-TP	PSI-J10000-TP
Max. Efficiency	97.8 %	97.8 %	97.8 %	98.0 %	98.0 %
Euro Efficiency	97.0 %	97.2 %	97.4 %	97.5 %	97.6 %
MPPT Accuracy	> 99.9 %	> 99.9 %	> 99.9 %	> 99.9 %	> 99.9 %

GENERAL DATA

Topology	Transformerless	
Consumption at Night	< 0.6 W	
Consumption at Standby	< 10 W	
Operating Temperature Range	-25 °C a + 60 °C (da 45 °C a 60 °C with derating)	
Cooling Method	Natural Convection	
Ambient Humidity	0% to 100% Non-condensing	
Altitude	Up to 2000m (without derating)	
Noise	< 29 dBA	
Overvoltage category	II (DC input), III (AC output)	
Ingress Protection	IP65 (Indoor & Outdoor Installation)	
Mounting	Rear Panel	
Dimensions (H x W x D)	530 x 355 x 190 mm	530 x 355 x 200 mm
Net Weight	20.5 kg	23.0 kg
Warranty	5 Years (standard) / 10 Years (optional)	

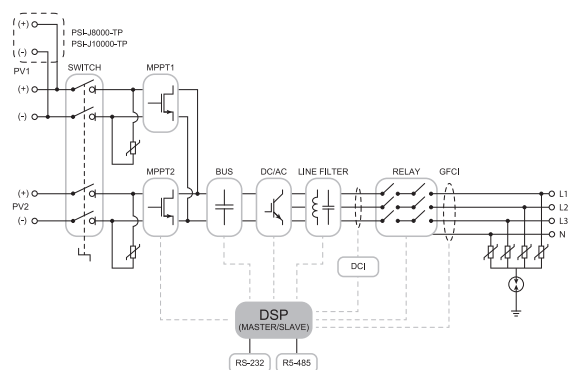
INTERFACE

AC Connection	Plug-in connector
DC Connection	MC4 / H4
LCD	3.5 inch LCD Display, backlight
LED	LED (3 Lights)
Display Language	Italian / English / Spanish
Communication Port	RS-232 / RS-485
Communication Mode	Wi-Fi / Ethernet (optional)

PROTECTION

Internal Over-Voltage Protection	Integrated
DC Insulation Monitoring	Integrated
DCI Monitoring	Integrated
GFCI Monitoring	Integrated
Grid Monitoring	Integrated
AC Short Circuit Current Protection	Integrated
Thermal Protection	Integrated
Anti-island Protection Monitoring	AFD

ELECTRICAL DIAGRAM



CERTIFICATES

For a complete list of certificates visit www.peimar.com