

For Global Market



# Maysun Solar

## Monocrystalline

### PV Module

#### MS(285-310)M-60 Series

- ▶ High PID resist performance
- ▶ Steady power output
- ▶ Reducing cell series resistance
- ▶ More power output

System voltage 1000V/1500V standard

285	290	295	300	305	310
-----	-----	-----	-----	-----	-----

EN

#### ELECTRICAL SPECIFICATIONS

STC rated output (P <sub>mpp</sub> )*	285 Wp	290 Wp	295 Wp	300 Wp	305 Wp	310 Wp
PV Module size	1640*992*35 MM					
Standard sorted output	0/+5 Wp					
Warranted power output STC (P <sub>nominal</sub> )	285 Wp	290 Wp	295 Wp	300 Wp	305 Wp	310 Wp
Rated voltage (V <sub>mpp</sub> ) at STC	32.21 V	32.45 V	32.69 V	32.93 V	33.17 V	33.41 V
Rated current (I <sub>mpp</sub> ) at STC	8.85 A	8.94 A	9.02 A	9.11 A	9.20 A	9.28 A
Open circuit voltage (V <sub>oc</sub> ) at STC	38.97 V	39.26 V	39.55 V	39.85 V	40.14 V	40.43 V
Short circuit current (I <sub>sc</sub> ) at STC	9.38 A	9.47 A	9.57 A	9.66 A	9.75 A	9.84 A
Module efficiency	17.5%	17.8%	18.1%	18.4%	18.7%	19.1%
Rated output (P <sub>mpp</sub> ) at NOCT	209.5 Wp	213.2 Wp	216.9 Wp	220.5 Wp	224.2 Wp	227.9 Wp
Rated voltage (V <sub>mpp</sub> ) at NOCT	29.08 V	29.21 V	29.34 V	29.64 V	29.86 V	30.07 V
Rated current (I <sub>mpp</sub> ) at NOCT	7.21 A	7.30 A	7.39 A	7.44 A	7.51 A	7.58 A
Open circuit voltage (V <sub>oc</sub> ) at NOCT	36.19 V	36.36 V	36.52 V	37.08 V	37.16 V	37.42 V
Short circuit current (I <sub>sc</sub> ) at NOCT	7.67 A	7.77 A	7.87 A	7.92 A	7.99 A	8.07 A

Temperature coefficient (P <sub>mpp</sub> )	- 0.380%/K	Maximum system voltage (IEC)	1000V <sub>dc</sub> / 1500V <sub>dc</sub>
Temperature coefficient (I <sub>sc</sub> )	+0.042%/K	Number of diodes	3
Temperature coefficient (I <sub>mpp</sub> )	- 0.008%/K	Maximum series fuse rating	15 A
Temperature coefficient (V <sub>mpp</sub> )	- 0.373%/K		
Temperature coefficient (V <sub>oc</sub> )	- 0.284%/K		
Normal operating cell temperature (NOCT)	46±2°C		

\* Measurement tolerance +/- 3%



#### RELATED PARAMETERS

Cell type	Monocrystalline
Number of cells / cell arrangement	60 / 6 x 10
Cells dimension	6"
Packing unit	30 modules
Weight of packing unit (for container)	557 kg / 1228 lbs

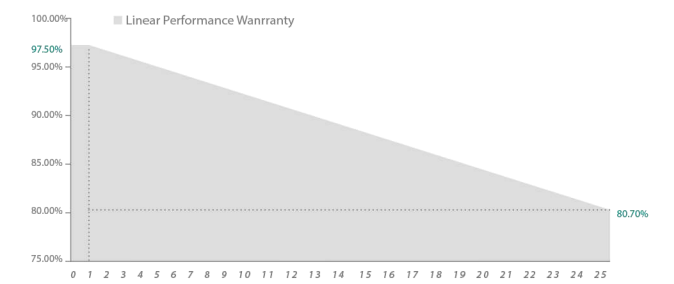
#### MECHANICAL SPECIFICATIONS

Outer dimensions (L x W x H)	1640 x 992 x 35 mm 64.57 x 39.06 x 1.38 in
Frame technology	Aluminum, silver anodized
Module composition	Glass / EVA / Backsheet (white)
Weight (module only)	18 kg / 39.68 lbs
Front glass thickness	3.2 mm / 0.13 in
Junction box IP rating	IP 65/67
① Cable length (IEC)	600/900 mm / 23.62/35.43 in
Cable diameter (IEC)	12 AWG / 4 mm <sup>2</sup>
② Maximum load capacity	5400 Pa
Fire performance (IEC)	Class C
Connector type (IEC)	MC4 compatible

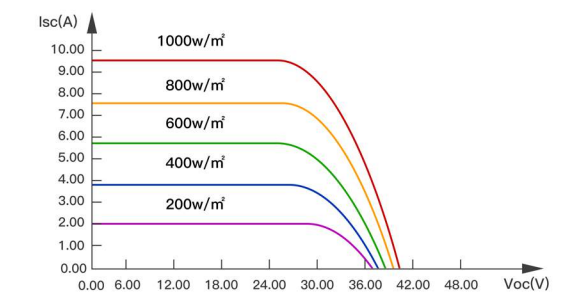
Refer to Maysun Solar crystalline installation manual.

#### QUALIFICATION AND LINEAR WARRANTIES

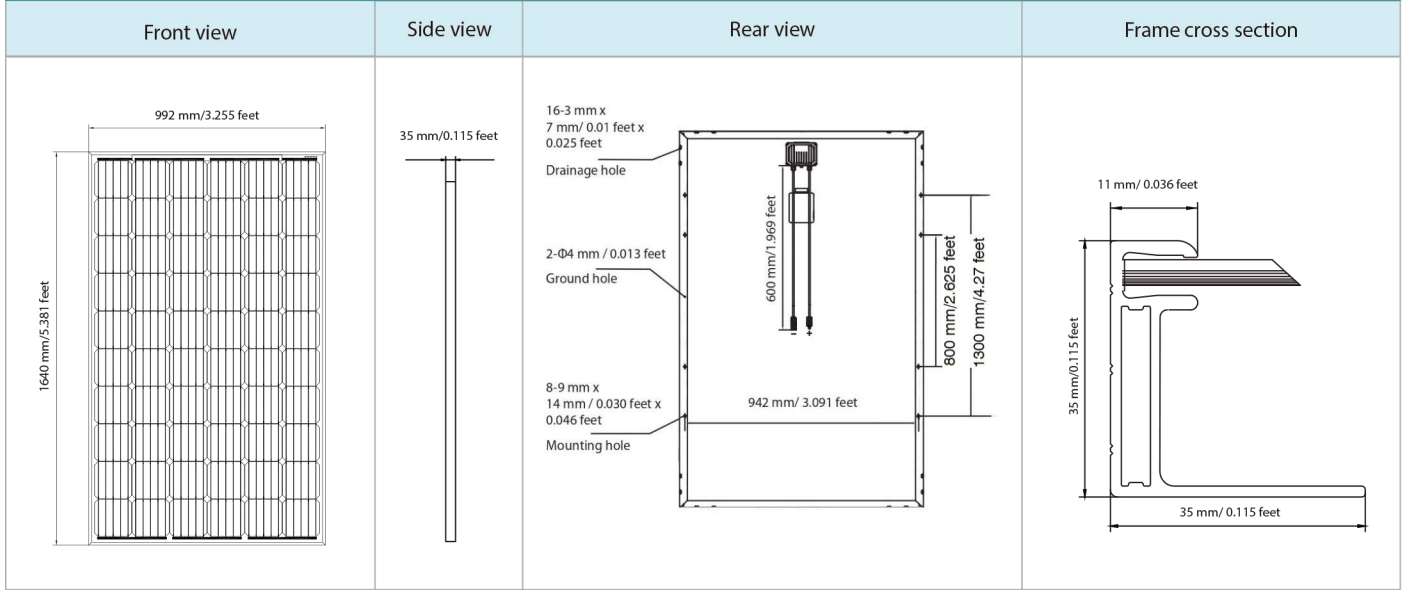
Product standard	IEC61215, 61730
Extended product warranty	12 years
Output decline 3%/year performance P <sub>mpp</sub> (STC)	1 <sup>st</sup> year
Output decline 0.7%/year performance P <sub>mpp</sub> (STC)	2 <sup>nd</sup> - 25 <sup>th</sup> years



I-V Curves of PV module MS295M-60 at various solar irradiance



#### MODULE DIMENSION DETAILS



Maysun Solar FZCO Reserves the right of final interpretation. Specifications and designs included in this datasheet are subject to change without notice.

Maysun Solar FZCO  
Address: No.FZS2AB01, Jebel Ali, Dubai, UAE  
Website: www.maysunsolar.com