

144 CUT-CELL
SOLAR CELLS

MODULE DATASHEET

Up to 18.91%
EFFICIENCY

390-410 W
RANGE

5 BB Module

Cosmic PV Power photovoltaic (PV) modules set the industry benchmark for reliable energy production, optimized design and environmental performance. Cosmic Modules are designed for High area efficiency suitable for roof-top and ground mounted applications.

PRODUCT | KEY FEATURES



Glass with anti-reflective coating
To maximize sunlight potential



Superior Module Efficiency



Positive Power tolerance up to
3% Extra.



Pre and Post EL Checking
to ensure defect free modules



IP68 Junction Box for
Long Term Weather Endurance



Ensure safety parameters
through Safety test



Best in-class
Reliability & Durability

APPLICATIONS

- ◆ On-Grid large scale utility systems
- ◆ On-Grid Rooftop residential, commercial and industrial rooftop installations
- ◆ Off-Grid Residential systems



High Reliability

Using tempered glass as back sheet, which brings higher reliability and better anti-corrosiveness to the module in weak-light conditions



Best in Class reliability

Cosmic Modules are able to withstand wind load 2400pa and snow load 5400Pa



Higher Generation

Excellent temperature coefficient giving higher yields in the long term



DCR Content
module is available

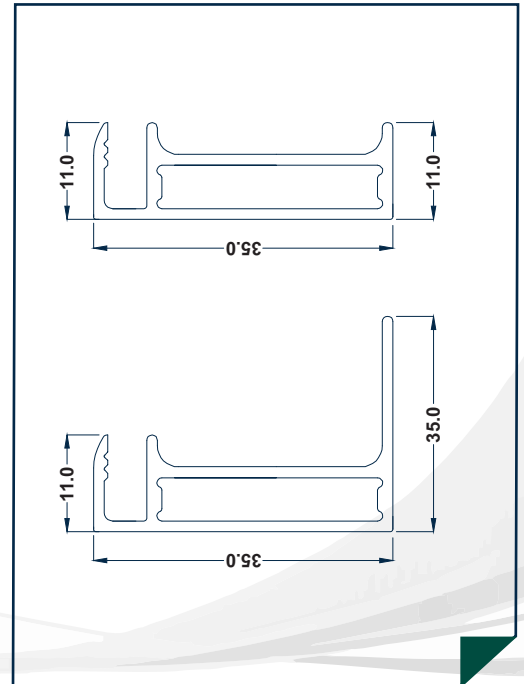
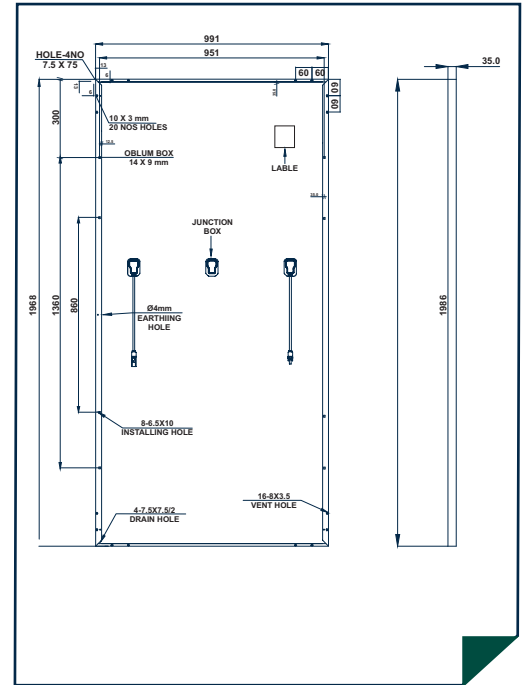


ELECTRICAL DATA

Models	Pmax (W)		Vmp (V)		Imp (A)		Isc (A)		Voc (V)		Module Eff. (%)
	STC	NOCT	STC	NOCT	STC	NOCT	STC	NOCT	STC	NOCT	
COS TWIN - 390	390	289	40.7	37.8	9.57	7.62	10.4	8.13	48.7	45.3	19.82
COS TWIN - 395	395	292	41.0	37.9	9.66	7.69	10.14	8.21	48.8	45.4	20.07
COS TWIN - 400	400	296	41.1	38.0	9.75	7.76	10.23	8.29	48.9	45.5	20.32
COS TWIN - 405	405	300	41.2	38.1	9.84	7.83	10.32	8.37	49.0	45.6	20.58
COS TWIN - 410	410	304	41.3	38.2	9.93	7.90	10.42	8.45	49.1	45.7	20.83

THERMAL CHARACTERISTICS

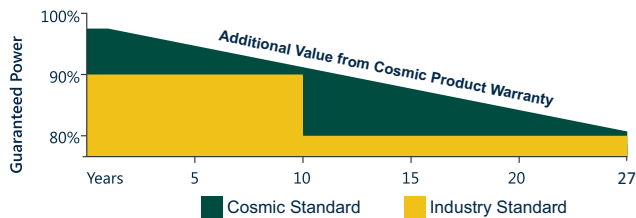
Temperature coefficient of Current (Isc), α (%/°C)	+0.058
Temperature coefficient of Voltage (Voc), β (%/°C)	-0.27
Temperature coefficient of Power (Pm), γ (%/°C)	-0.37
NOCT (°C)	45 + 2
Operating temperature range (°C)	-40 to 85



MECHANICAL CHARACTERISTICS

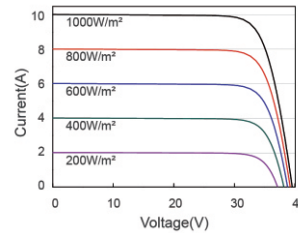
Length x Width x Thickness (L x W x T)	1986 mm (L) x 991 mm (W) x 35 mm (T)
Weight	21.5 kgs
Solar Cells per Module (Units) / Arrangement	144 / (6x24)
Solar Cell Type & Size	Mono Crystalline Cut Cell
Front Glass	3.2 mm Low Iron and Tempered glass with ARC coating
Encapsulate	PID Free & UV Resistant
Junction Box (Protection degree / Material)	Ip68 / 3 diodes
Connector (Protection degree / Type)	Ip68 rated / MC4 compatible
Cable Cross - Section & Length	4 mm ²
Frame	Anodized Aluminium Alloy

Cosmic PV Performance Warranty

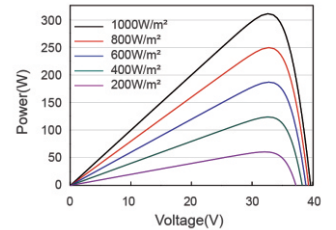


10 Years Product Warranty - 27 Years Linear Power Warranty

Current-Voltage Curve CSPL-310W



Power-Voltage Curve CSPL-310W




COSMIC PV POWER PRIVATE LIMITED

1800 891 9590
www.cosmicpvpower.com
info@cosmicpvpower.com

Cosmic PV Power Pvt. Ltd.
 E-11, Ghael Compound,
 Udhna, Surat - 394210

Block No. E-43/44, D-26/27,
 Hindva Dreams, Dhoran Pardi,
 Kamrej, Surat - 394155


COSMIC
 Solar For A Better Future