

JAHÄ
SOLAR

Glass-Glass 60 Cells
Mono

GLASS-GLASS SERIES OF MONOCRYSTALLINE SOLAR MODULES

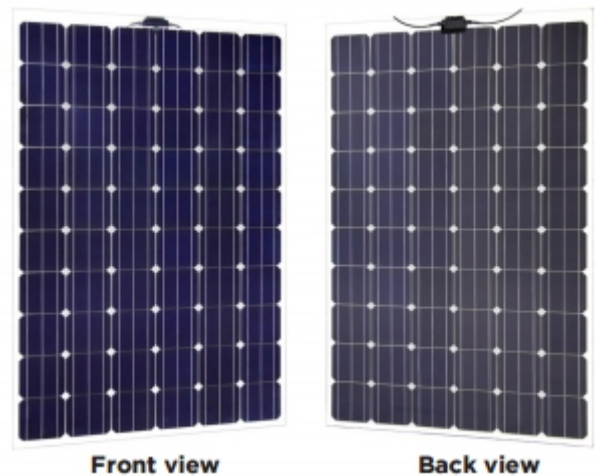
Proven Quality Made in Kosovo

Most advanced know-how combined with precision, innovation and solid workman-ship these are the characteristics of the Jaha Solar, headquartered in Prishtina (Kosovo). Jaha Solar has established itself as a leading supplier of high performance solar modules. State-of-the-art manufacturing facilities and strict quality management across the entire process chain are key to the high level quality of our modules

Our customers benefit from 100% assurance and reliability in all areas and on all aspects of our solar modules.

The Highlights

- 12-year product guarantee
- 100 % PID free
- Proven German quality of products and manufacturing facilities
- Particularly stablinder aluminium frame (35 mm, snow load class III)
- Maximum energy yield and high annual power output
- 12-year achievement guarantee on min. 90% of the given nominal achievement
- 25-year achievement guarantee on min. 80%
- Products made in Europe



Basic Data

Dimensions: (L) 1648 mm x (B) 998 mm x (T) 35 mm;

Weight: 28 kg;

Number of cells: 60; Cell

Size: 157 mm x 157 mm

Cell material: Bifacial Monocrystalline Si;

Front cover: Solar glass,

Back Cover: Solar glass

Frame material: aluminum

Cable length: 1000 mm;

Connector type: MC4 compatible

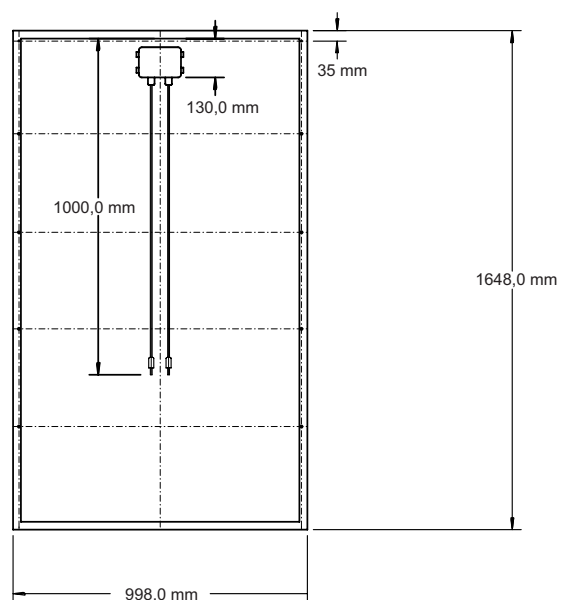
Bypass diodes: 3

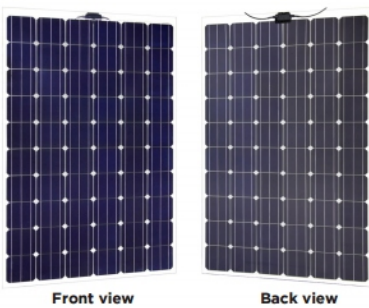
IP 65

Manufactured and tested according to IEC standard

61215 and DIN 61730. TÜV-Nord certified.

Climate neutral prepared.





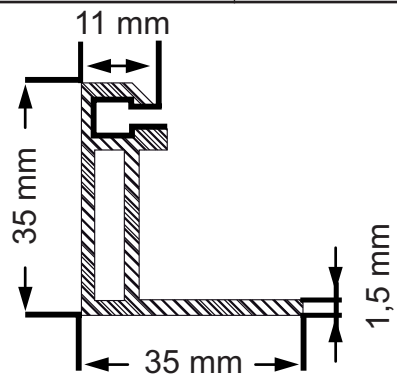
Backsheet: white
Frame: silver

Electric Data(STC*)	Mono Bifacial 275W		
	Front Side	Bifacial 10%	Bifacial 20%
Rated output Pmpp	275 W	300 W	330 W
Rated current Impp	8,67 A		
Rated voltage Umpp	32,07 V		
Short circuit current Isc	9,28 A		
Open circuit voltage Uoc	38,49 V		
Efficiency	16,7 %	18,2 %	20,1 %
Sorting	+4,99/0 W	+4,99/0 W	+4,99/0 W
Maximum Voltage	1000 V	1000 V	1000 V

Temperature coefficient	Unit	Value
α_{Isc}	[mA/K]	3.83
β_{Voc}	[mV/K]	-2.01
γ_{Pmax}	[%/K]	-0.41

Irradiance [W/m ²]	Open-Circuit Voltage [%]	Short-circuit current [%]	Maximum Power [%]
1000	100.0	100.0	100.0
800	99.10	80.08	80.24
600	97.84	60.00	59.99
400	96.22	40.00	39.68
200	93.32	19.98	19.30

Accuracy of other el. data 10%



Continuous research and development plays a major role in opening up new possibilities in the manufacturing of solar modules. At Jaha Solar, we consider it our job to be a pacemaker in this process. For this reason, the data and measurements given in this product data sheet can be subject to change at short notice. No legal claims may be derived from the contents of these product data sheets. Jaha Energy assumes no liability for the usage of the information contained therein or for any consequences resulting there from.

*Under Standard Test Conditions (STC): 1000W/m², AM 1.5, Cell temp 25 °C

info@jahasolar.com
www.jahasolar.com