



**ENDLESS
ENERGY
WE SHARE!**



148KWh Outdoor Cabinet

HIGH VOLTAGE POWER CABINET



Shenzhen Enershare Technology Co.,Ltd

www.enersharepower.com

Address:Huitong Building, No10 Longgang Road, Longgang District, Shenzhen,
CHINA



Enershare High voltage power cabinet 148KWh Outdoor Cabinet

Features

- Lithium Iron Phosphate chemistry EV grade safety;
- Fully charge within 1 hour;
- Serial communication (CANBUS) compatible with leading PCS brand;
- Connect up to 10 x batteries in parallel for total installed capacity of 1200KWh;

Application Scenario



Hospital



Farm



Mall





Enershare High voltage power cabinet 148KWh Outdoor Cabinet

Parameters

Battery parameters

Cell Type	LFP-200Ah
Module Model	1P10S
Battery Cluster Configuration	1P210S (21 Modules)
System Configuration	1*1P210S
Battery Capacity (BOL)	147.84kWh
Battery voltage range	588V~756V

AC grid connection parameters

Grid Type	3L+PE
Rated charge/discharge power	60KW
Rated grid voltage	1P210S (21 Modules)
System Configuration	AC380V
Rated grid voltage	50Hz/60Hz
Frequency range	±3Hz
Rated current	95A
Power Factor	1 (Ahead) ~1 (Lag)
Output Harmonics	≤3%

AC off-grid parameters

Rated output power	60KW
Rated output voltage	AC380V
Rated output frequency	50Hz/60Hz
Rated current	95A
Voltage accuracy	1%
Frequency accuracy	0.2Hz



Enershare High voltage power cabinet 148KWh Outdoor Cabinet

Parameters

General parameters

Dimension (W*H*D)	1861.5*1267*1835mm
Weight	2300kg
System efficiency	≥88%
IP Protection Rating	IP55
Seismic Intensity Rating	8 (IEC60980)
Anti-corrosion grade	C4(optional C5)
Operating temperature 【1】	-20℃~50℃
Relative Humidity	0-95% (Non-condensing)
Working altitude 【2】	<2000m
Cooling method	Battery section: air conditioning / power section: forced air cooling
Noise	≤75Db
System efficiency	>88%
Cycle life	5 years or more than 2000 times
Fire Fighting System	Automatic fire extinguishing
Fire extinguishing media	Aerosol (optional tube gas fire FM200/N1230)
Communication Interface	Ethernet
Communication protocols	Modbus TCP/IP

Photovoltaic side parameters (optional)

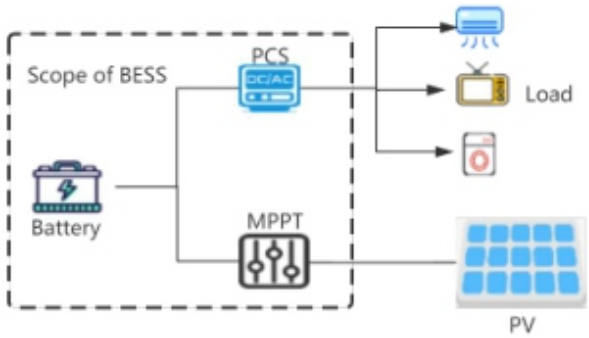
Maximum input module power	60KW
MPPT Voltage Range	200V-750V
Number of MPPT paths	1
Number of PV input channels	1
Maximum input current	100A



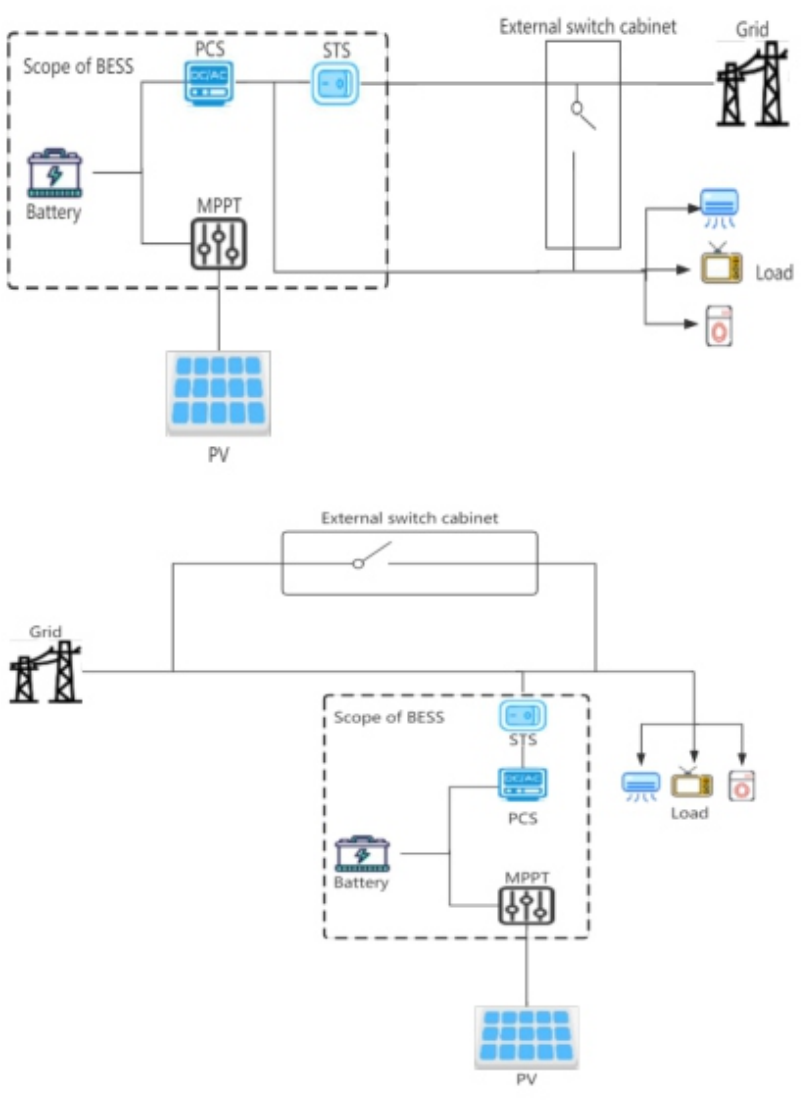
Enershare High voltage power cabinet 148KWh Outdoor Cabinet

Use scenarios Notes: Both MPPT and STS are available as options.

Pure off-grid



On and off-grid (seamless switching)



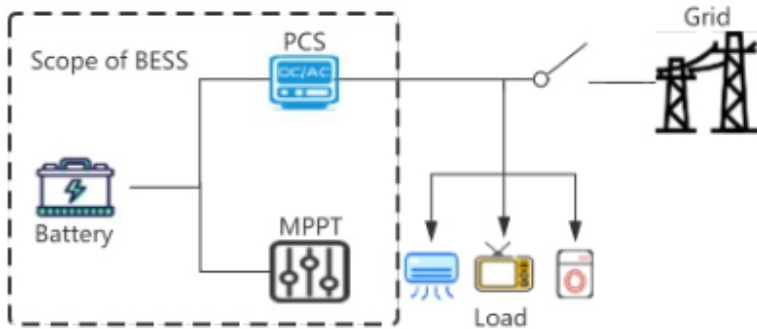


Enershare High voltage power cabinet 148KWh Outdoor Cabinet

Use scenarios

Notes: Both MPPT and STS are available as options.

On-grid (switching in seconds)



On-grid

