



POWER GENERATION
FOR GENERATIONS



USE YOUR SOLAR POWER HARVEST SMARTLY.

Get Utility-Ready Inverters
with 99% Efficiency.

BENEFIT MORE FROM YOUR SOLAR PANELS WITH AN INTELLIGENT INVERTER.

Inverter is a critical technology for any solar power plant. It is the heart and brain of the system and not a mere current converter. Novergy inverters do more than converting DC output to the required AC utility voltage & frequency.

COMES WITH

5 YEARS WARRANTY

25 YEARS DESIGN LIFE



Our products are proven and meet global / IEC / MNRE standards.



INDUSTRIES SERVED



Engineering



FMCG



Oil & Gas



Textile/Garment



Poultry Farms



Hospital



Chemicals



Food Processing



Educational Institutes



Automotive



Cement



Industrial plastics

*On select models only.

HIGH POWER (3 PHASE)

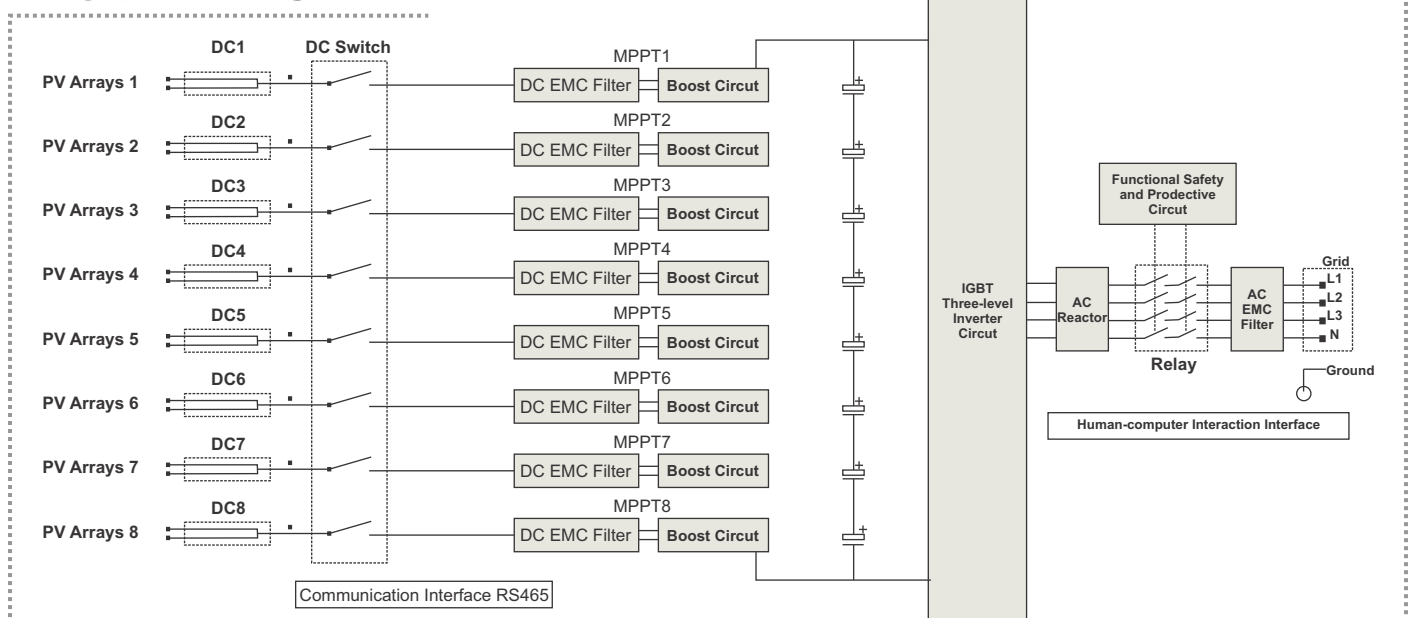
100kw - 250kw



We are an expert's choice with Efficiency upto 99%

- Supports 1.5x DC overloading capability.
- Upto 10 individual MPPT, ensures better solar energy harvest.
- Efficient logic algorithm, over 99% max. Efficiency
- String monitoring integrated.
- Remote & local intelligent IV Scan function
- Leakage current repression technology
- Option of online web-based monitoring.
- Volt-watt work mode (optional)
- DC input reverse alarm
- Anti-PID function (optional)
- Reactive power compensation function (optional)
- IP6 x rating (suitable for outdoor installation)
- Highly safe with complete protective functions.

BLOCK DIAGRAM*



*For select models.

IGPB HIGH POWER SERIES - 3 PHASE | TECHNICAL SPECIFICATION

MODELS	100kw (LV)	125kw (LV)	125kw (EHV)	250kw (EHV)
INPUT DC				
Recommended Max. DC Input Power (kW)	112	150	187.5kW	300kW
Max. DC input voltage (V)	1100		1500V	
Nominal DC voltage (V)	600	720	950V	1080V
Start-up voltage (V)	200		900V	620V
MPPT voltage range (V)	180-1000		850-1450V	600-1500V
Full load MPPT voltage range (V)	505-850		850-1450V	850-1450V
Max. input current (A) per MPPT	26A		150A	26A
Max. Short Circuit current per MPPT	40A		300A	40A
MPPT number	8	10	1	14
Max input strings number per MPPT	2	2	20	2
OUTPUT AC				
Rated output power	80kW	100kW	125kW	230kW
Max. apparent output power	88kVA	110kVA	125kVA	253kVA
Max. output power	88kW	110kW	125kW	253kW
Rated grid voltage	3/N/PE, 230/400V		3/PE, 600V	3/PE, 800V
Rated grid frequency	50Hz/60Hz		50 / 60 Hz	50Hz
AC output frequency range	45-55Hz/55-60Hz			45-55Hz
Rated grid current	115.5A	152A	120 A	166.0A
Max. output current	133.7A	167.1A	120 A	182.6A
Power Factor (at rated output power)	>0.99 (Adjustable from 0.8 leading to 0.8 lagging)			
THDi (at rated output power)	<3%			
DC injection current	0.5%In			
Efficiency				
Max. efficiency (DC-AC)	99.00%	99.00%	99.1%	99.0%
Eu efficiency (DC-AC)	98.40%	98.30%	98.6%	98.5%
MPPT efficiency	99.5%			
PROTECTION				
Anti-islanding protection	Yes			
DC reverse-polarity protection	Yes			
Insulation resistance monitoring	Yes			
Residual current detection	Yes			
DC surge protection	Type II / Type I + II			
AC surge protection	Type II			
Grid monitoring	Yes			
Strings monitoring	Yes			
I/V Curve scanning	Yes			
Anti-PID Function	Yes		Optional	
DC arc-fault circuit protection	Yes		Optional	
Integrated DC switch	Yes			
General Data				
DC connection	MC4			
AC connection	OT Terminal connectors		OT Terminal connectors (Max. 185 mm)	
Display	LCD, 2 x 20 Z.			
Communication	RS485 (Standard) PLC (optional)			
Topology	Transformerless			
Self consumption (night)	< 2w			
Operating ambient temperature range	-25 - +60°C			
Relative humidity	0-100%			
Ingress protection	IP65		NEMA5x / IP65	IP65
Noise emission (typical)	55dB (A)			
Cooling concept	Intelligent redundant fan-cooling			
Max. operation altitude	4000 m			
Weight (kg)	< 84kg			100kg
Dimensions (W*H*D) mm	1050*567*286.5	1050*567*315	1176*713.5*315	1120*686*375

*Specifications are subject to change without prior notice

**Our Inverters are performing seamlessly
across countries since 2008.**



Get Better Energy Output from Solar.
Contact a Novergy Expert Today!

Write to enquiry@novergy.net | Visit us at www.novergysolar.com