



TUNGHSU

158.75 series

Mono solar modules

120 cells single-glass

9-busbar half-cut modules



325-350W

Tungshu components with high efficiency and high reliability

- * Advanced production equipment, highly automated process control, world-class production technology
- * The company has a product research and development laboratory that meets the new ISO/IEC international standards
- * Excellent weak light performance, resistant to salt spray and ammonia corrosion.
Passing the certification test of the PV standards.
- * Certified by international quality management and environmental management system
- * Application grade:A, Safe grade: II, Fireproofing grade:C

Comprehensive Products And System Certificates

IEC61215/IEC61730/UL1703/IEC61701/IEC62716
 ISO 9001: Quality Management System
 ISO 14001: Environmental Management System
 ISO 45001: Occupation Health and Safety Management System
 GB/T 23001-2017: Management system with Integration of Information Technology and Industrialization



High power output

Combined with MBB technology, maximum 350W
 Reduce BOS cost with higher power bin and 1500V system voltage



Half-cell design brings higher efficiency

Half-cell layout (120 monocrystalline)
 Low thermal coefficients for greater energy production at high operating temperature
 Low cell connection power loss due to half-cell layout (120 monocrystalline)



Highly reliable due to stringent quality control

In-house testing goes well beyond certification requirements (UV, TC, HF, and many more)
 PID resistant

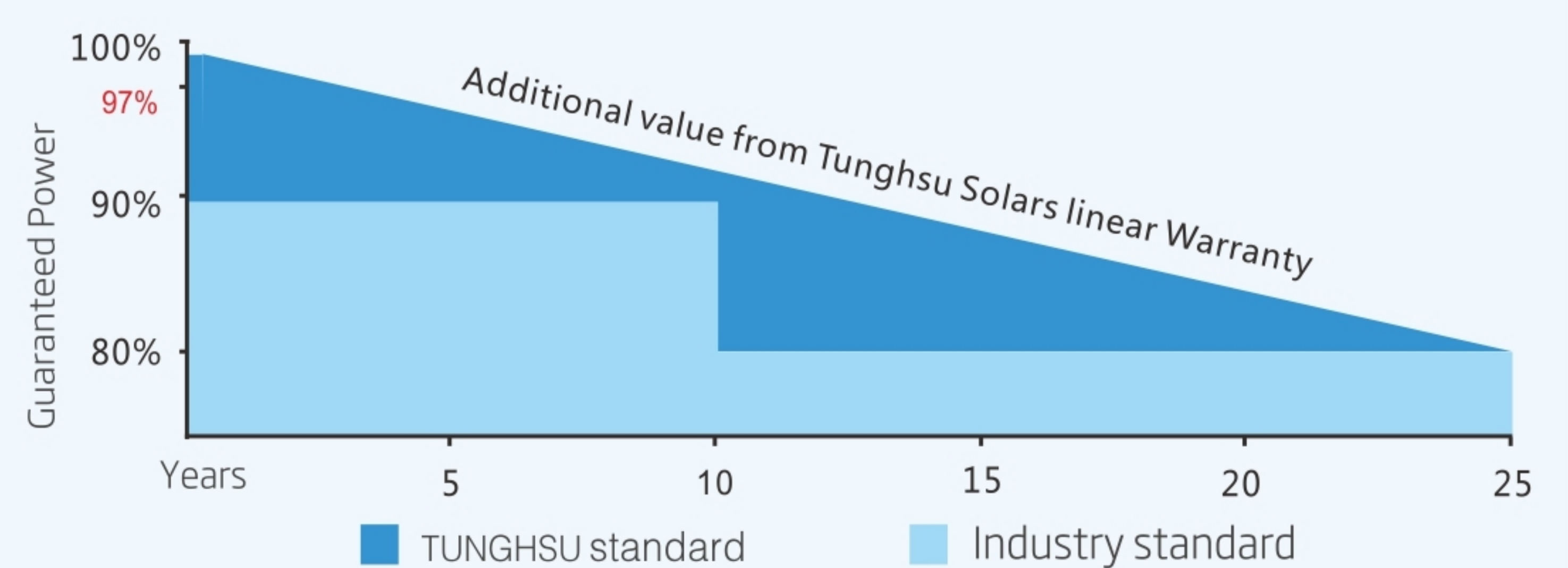


Certified to withstand the most challenging environmental conditions

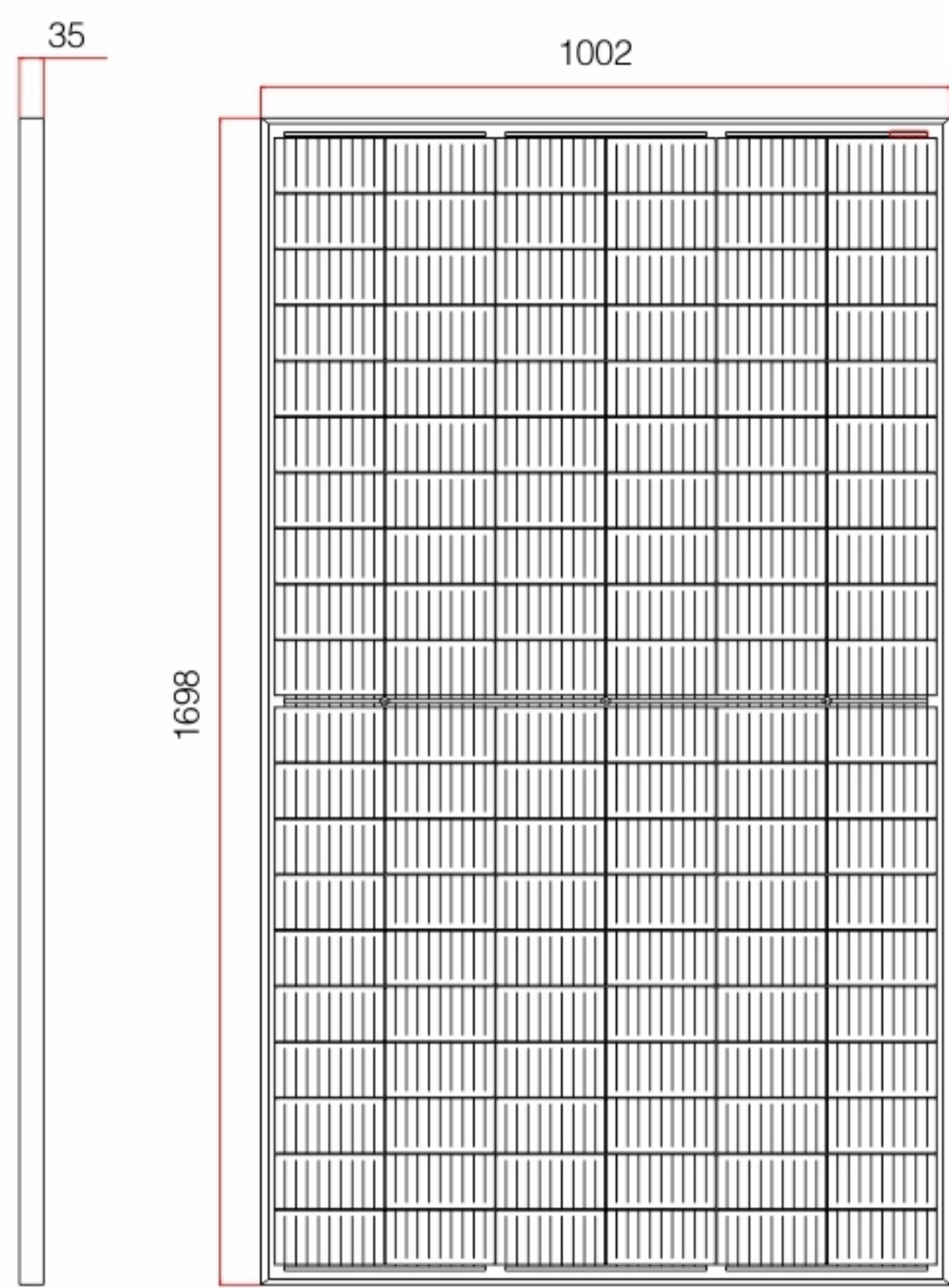
2400 Pa wind load
 5400 Pa snow load

Industry-leading linear warranty

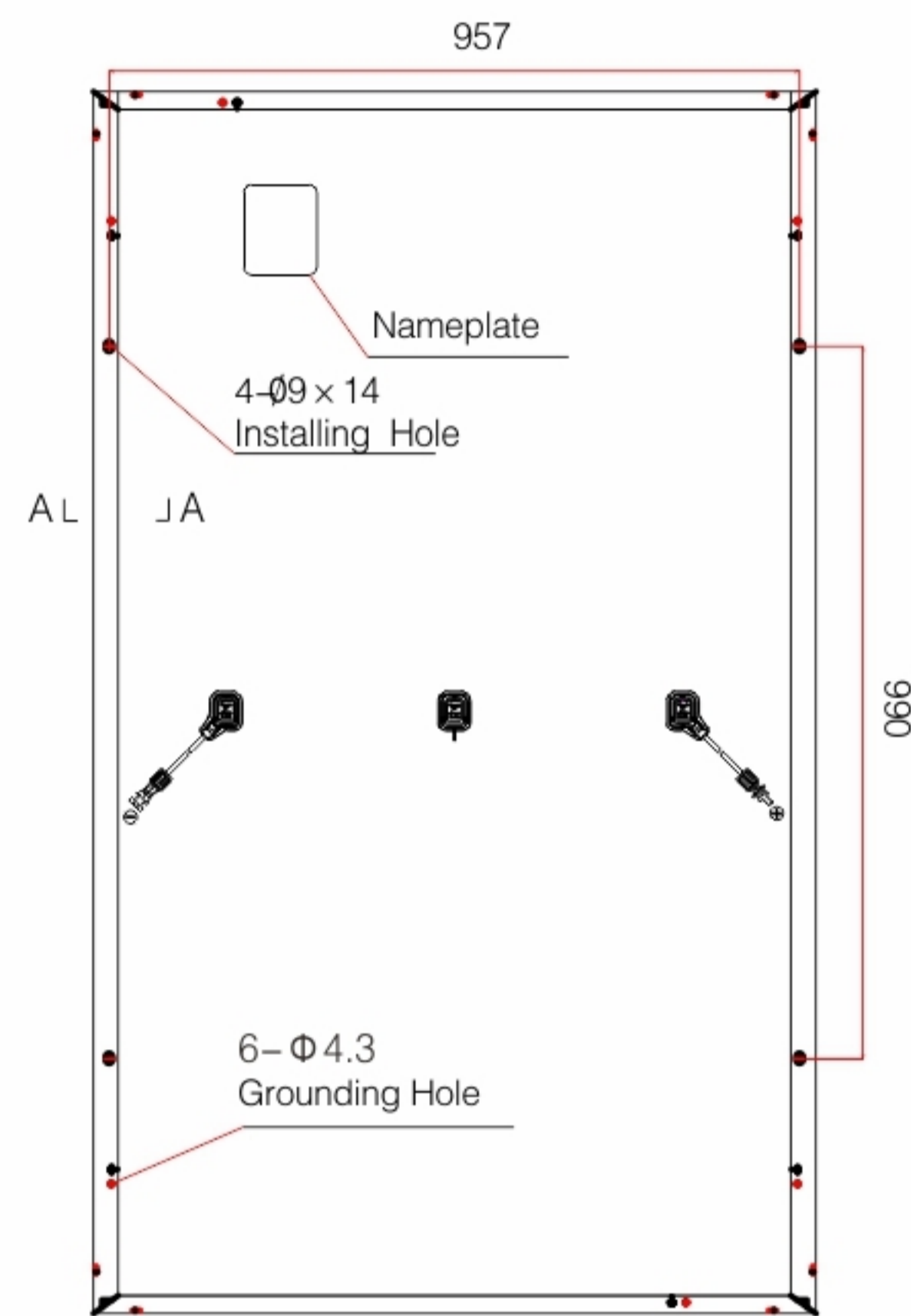
*15 Year Product Warranty *25Year Linear Power Warranty



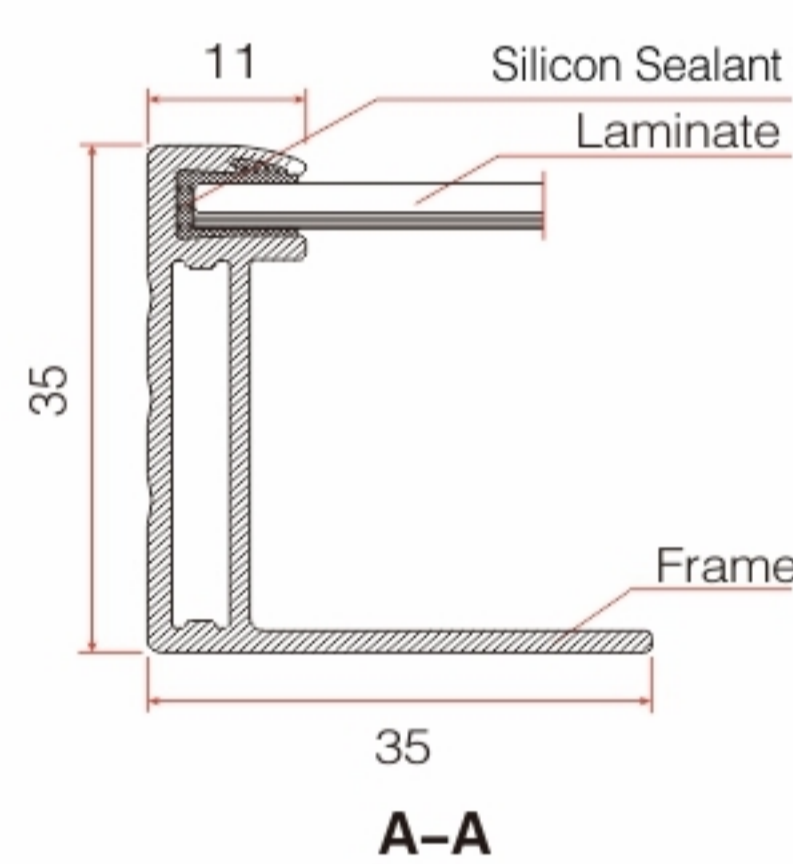
DIMENSIONS OF PV MODULE(mm)



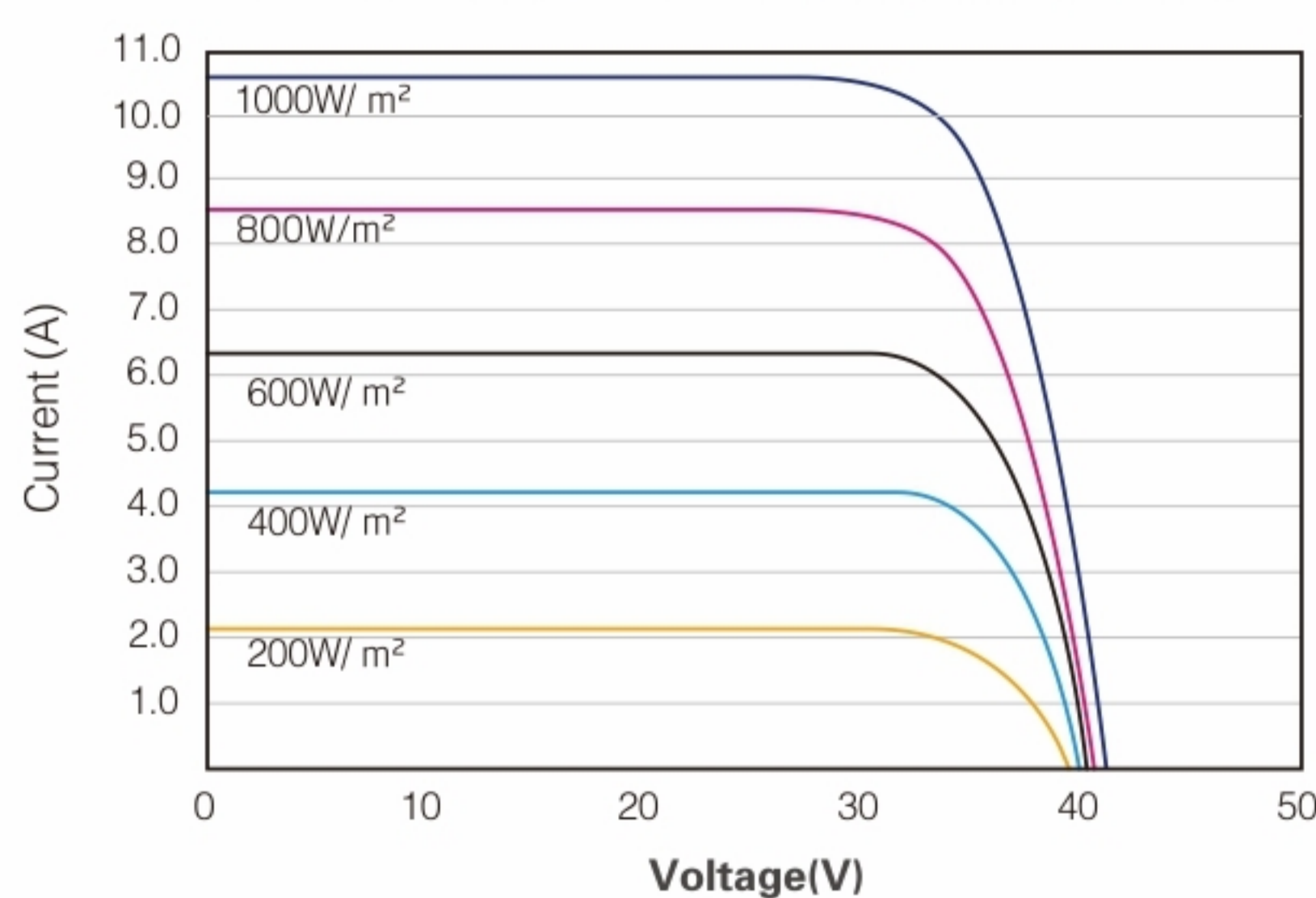
Front View



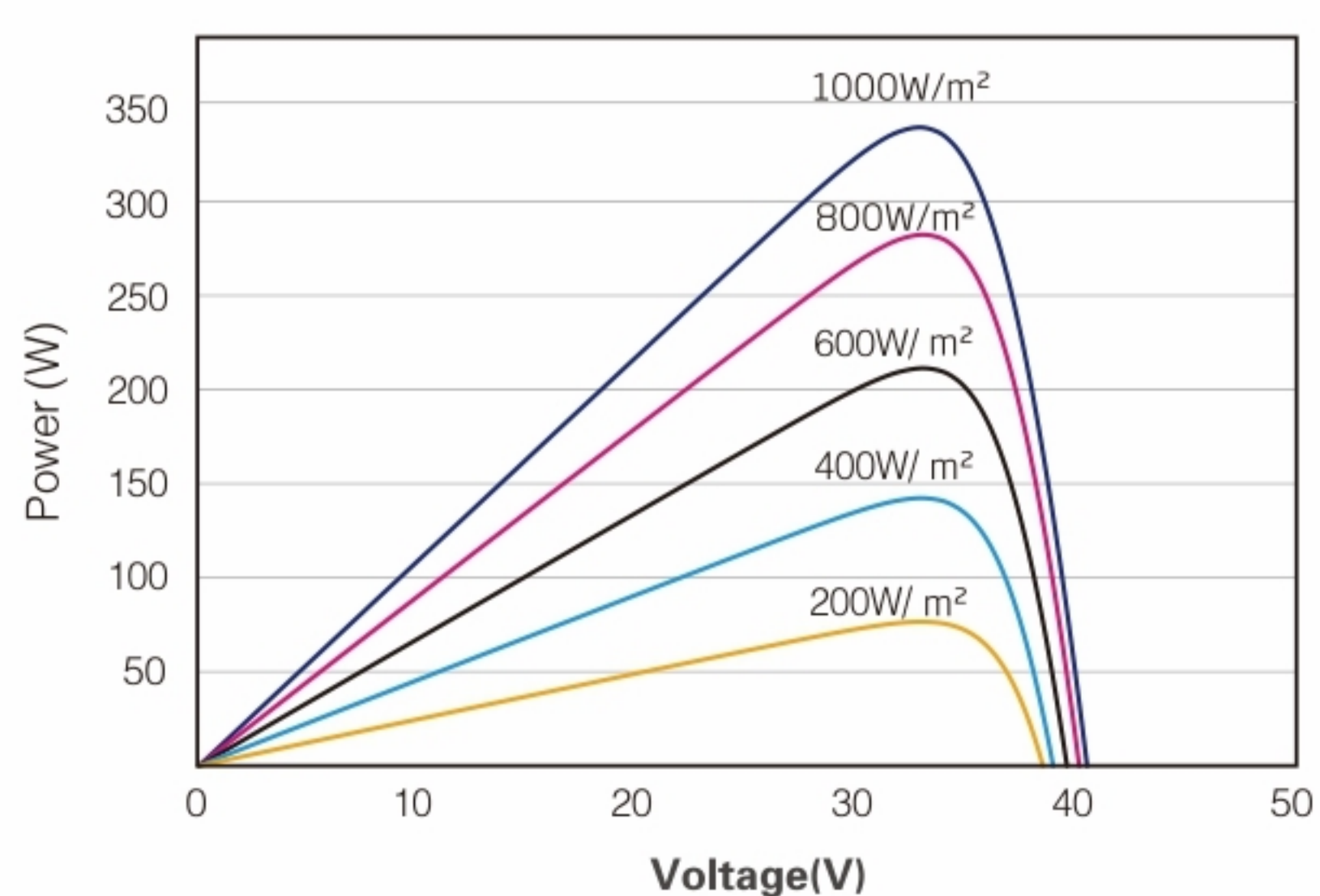
Back View



I-V CURVES OF PV MODULE(340W)



P-V CURVES OF PV MODULE(340W)



ELECTRICAL DATA (STC)

Peak Power Watts- P_{MAX} (Wp)	325	330	335	340	345	350
Power Output Tolerance- P_{MAX} (W)	0 ~ +5					
Maximum Power Voltage- V_{MPP} (V)	33.6	33.8	34.0	34.2	34.4	34.6
Maximum Power Current- I_{MPP} (A)	9.67	9.76	9.85	9.94	10.03	10.12
Open Circuit Voltage- V_{OC} (V)	40.4	40.6	40.8	41.1	41.3	41.5
Short Circuit Current- I_{SC} (A)	10.3	10.4	10.5	10.6	10.7	10.8
Module Efficiency η_m (%)	19.1	19.4	19.7	19.9	20.1	20.3

STC: Irradiance 1000W/m², Cell Temperature 25°C, Air Mass AM1.5.

ELECTRICAL DATA (NOCT)

Maximum Power- P_{MAX} (Wp)	245	249	253	257	261	265
Maximum Power Voltage- V_{MPP} (V)	31.3	31.4	31.5	31.8	32.1	31.5
Maximum Power Current- I_{MPP} (A)	7.84	7.93	8.01	8.08	8.13	8.15
Open Circuit Voltage- V_{OC} (V)	38.1	38.2	38.3	38.7	39.1	39.6
Short Circuit Current- I_{SC} (A)	8.31	8.39	8.47	8.55	8.63	8.71

NOCT: Irradiance at 800W/m², Ambient Temperature 20°C, Wind Speed 1m/s.

MECHANICAL DATA

Solar Cells	Monocrystalline(158.75 × 158.75mm)
Cell Orientation	120 cells (6 × 10)
Module Dimensions	1698 × 1002 × 35 mm (66.85 × 39.45 × 1.38 inches)
Weight	19kg (41.9lb)
Glass	3.2mm (0.13 inches), High Transmission, AR Coated Heat Strengthened Glass
Encapsulant Material	EVA
Backsheet	White
Frame	35 mm (1.38 inches) Anodized Aluminium Alloy
J-Box	IP 68 rated
Cables	Photovoltaic Technology Cable 4.0mm (0.006 inches), Portrait: N 140mm/P 285mm(5.51/11.22inches) Landscape: N 1200 mm /P 1200 mm (47.24/47.24 inches)
Connector	MC4, QC4

NOCT(Nominal Operating Cell Temperature)	41°C (±3°C)
Temperature Coefficient of P_{MAX}	-0.37%/°C
Temperature Coefficient of V_{OC}	-0.29%/°C
Temperature Coefficient of I_{SC}	0.05%/°C

Operational Temperature	-40~+85°C
Maximum System Voltage	1000V DC (IEC)
Max Series Fuse Rating	20A

(DO NOT connect Fuse in Combiner Box with two or more strings in parallel connection)

WARRANTY

15 year Product Workmanship Warranty
25 year Linear Power Warranty

PACKAGING CONFIGURATION

Modules per box: 30 pieces
Modules per 40' container: 780 pieces

