

# SSB36000/SSB50000/SSB60000

## SSB Series

SSB Series provide string inverters with the best invention patented topology globally, also we can customize to provide more optional choices for PV power systems.

SSB series has been proved to be outstanding for its features like leading edge efficiency, high cost-effective, modern appearance, friendly interface, and ultra-long quality warranty, etc.



### Features:

- 3 MPPTS inputs accommodating wide voltage range
- Max efficiency up to 98.8%
- Compact structure design
- Simple national setting

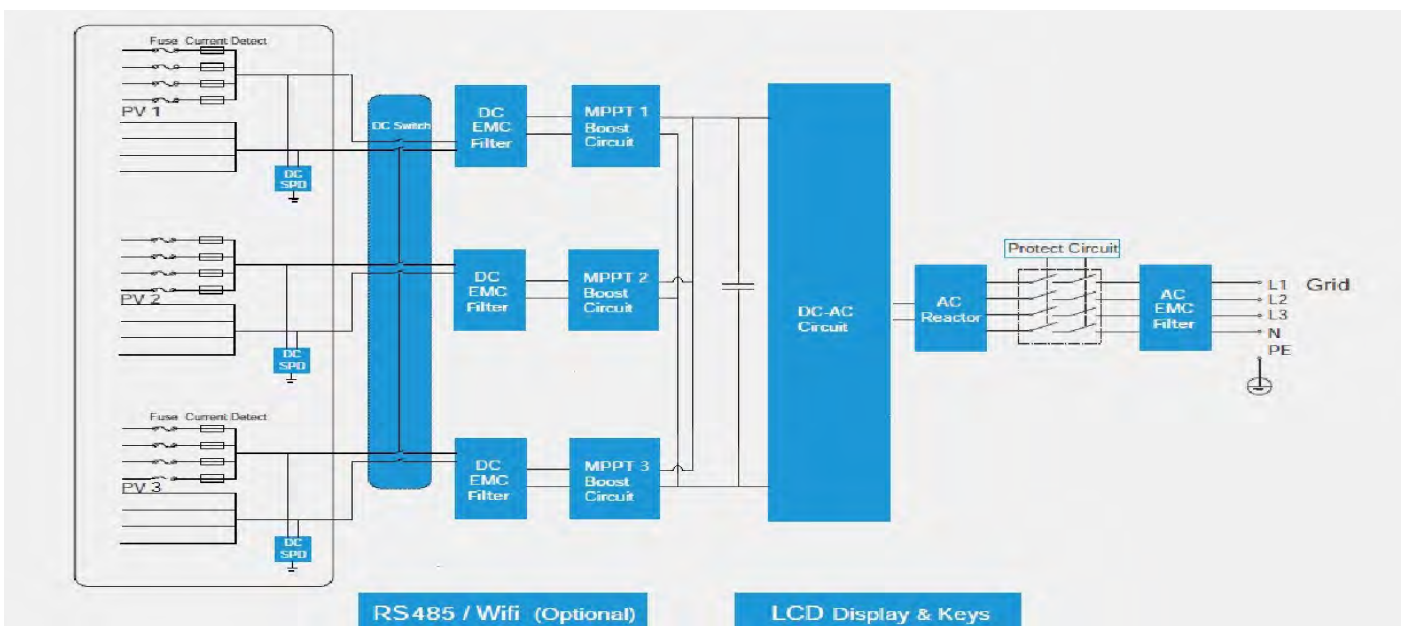
### Flexibility:

- Indoors and outdoors usage (IP65)
- Easy installation and free maintenance
- Sound control
- RS485/WLAN & Ethernet (selectable)
- LED light display

### Reliability:

- Reliable protection for over/under voltage, anti-islanding, short circuit, overload, etc.
- Light in weight, wall-mounted.
- Special designed wiring box to simplify installation and maintenance.

## Diagra



## Technical data

Inverter Model	SSB36000	SSB50000	SSB60000
<b>Input (DC)</b>			
Max DC power	40000W	56000 W	67000 W
Max DC voltage	1100V	1100 V	1100 V
Full load MPPT Voltage Range / Rated Voltage	480-800V/620V	480-800V/620V	500-800V/620v
Max input current input	34A×3	36A×3	40A×3
Number of MPP trackers / Strings per tracker	3/3	3/4	3/4
<b>Output (AC)</b>			
AC nominal power	36000 W	50000 W	60000 W
AC voltage range	320-480V	320-480V	320-480V
AC grid frequency	50/60(±5Hz)	50/60(±5Hz)	50/60(±5Hz)
Rated alternating voltage	400VAC	400VAC	400VAC
Max output current	57A	80A	95A
Power factor (adjustable)	0.8lead/lag	0.8lead/lag	0.8lead/lag
Harmonics (THD)	<3%	<3%	<3%
<b>Efficiency</b>			
Max efficiency	98.8%	98.8%	98.8%
Euro efficiency	98.3%	98.45%	98.45%
MPPT efficiency	99.9%	99.9%	99.9%
<b>General data</b>			
Dimensions (W / H / D)	553*715*225mm	630*1000*260 mm	630*1000*260 mm
Weight	48kg	68kg	69kg
Operating temperature range	-25°C~ +60°C	-25°C~ +60°C	-25°C~ +60°C
Degree of protection (according to IEC 60529)	IP65	IP65	IP65
Humidity	0~95%, no condensation.	0~95%, no condensation.	0~95%, no condensation.
Internal consumption: (night)	<2 W	<2 W	<2 W
Cooling concept	Fans	Fans	Fans
Noise (typical)	≤60 dB	≤60 dB	≤60 dB
Communication	RS485/WLAN & Ethernet (selectable)	RS485/WLAN & Ethernet (selectable)	RS485/WLAN & Ethernet (selectable)
DC Switch	Standard configuration	Standard configuration	Standard configuration