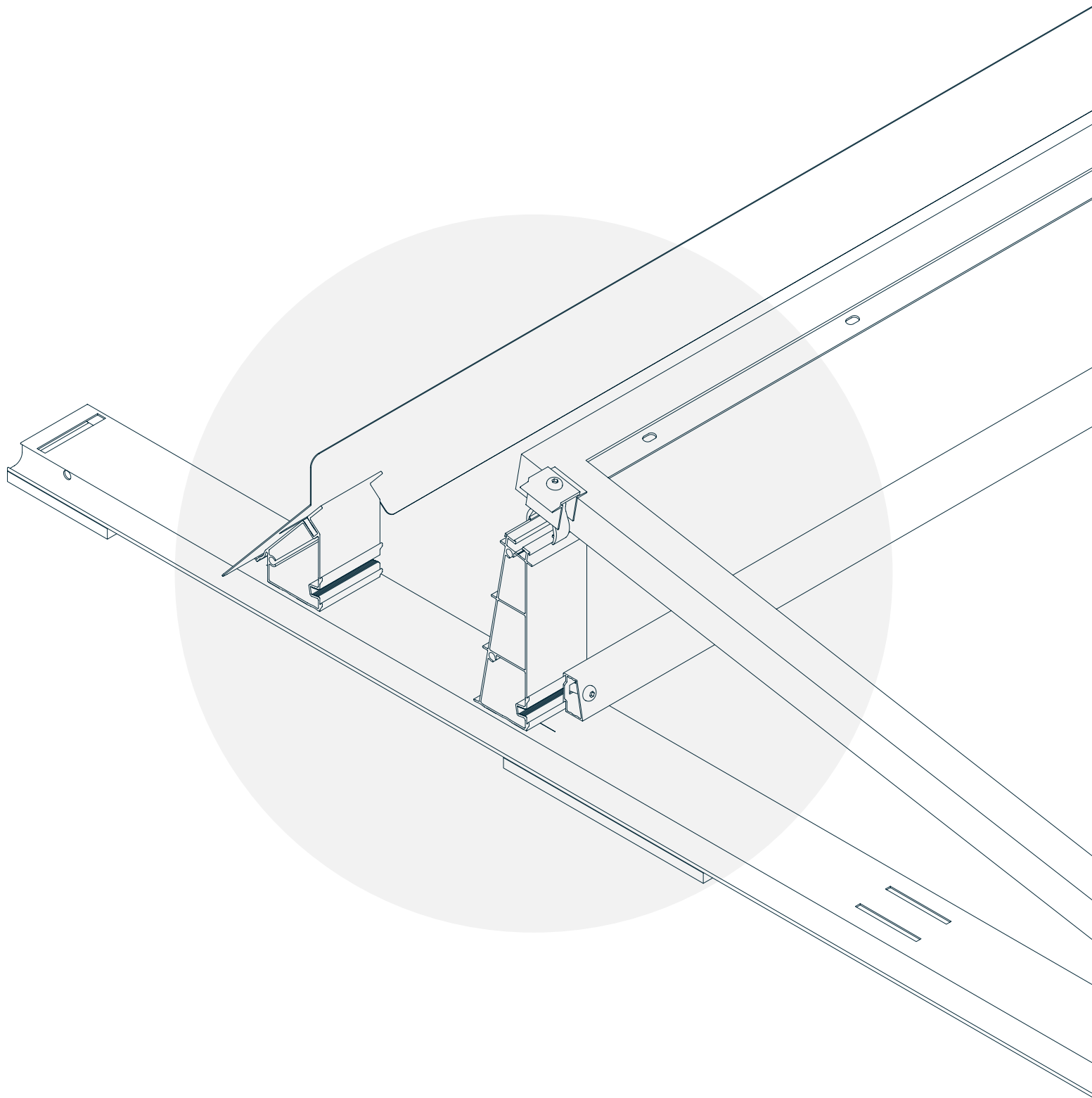


# PMT EVO 2.0 S

## PRODUCT DATASHEET



SO SIMPLE. SO FLEXIBLE. SO SAFE.

EVO 2.0 sets new standards in an innovative and uncompromising manner. Simplified mounting, certified safety and a highest quality product - that is what we understand as NEXT LEVEL MOUNTING.

# EVO 2.0 S PRODUCT DATASHEET

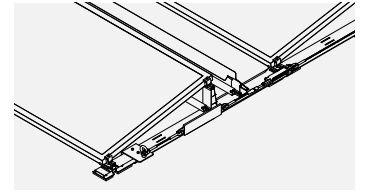
## PRODUCT BENEFITS

<b>Ballast-optimised</b>	Up to 50% ballast reduction through improved system stability and aerodynamics
<b>Click technology</b>	Simple installation through unmistakable click connections
<b>Maximum safety</b>	Verification through NTA and other tests, such as wind tunnel experiments, experimental component investigations and current DIN standards
<b>Integrated fall protection</b>	Perimeter security cable system protects up to three people of up to 100 kg each
<b>Optimum supporting construction</b>	Continuous ground profile with integrated protection mat for frictionless contact with the substrate
<b>Module mounting directives</b>	Error minimisation thanks to labelling of the clamping areas and drainage openings
<b>Ideal cable routing</b>	Cable integration directly on the system. Separate routing according to DC +/-
<b>Variable module dimensions</b>	Suitable for all 60 and 72-cell panels: Length of 1570 – at least 2005 mm, widths of 960 – 1068 mm
<b>Universal module and ballast clamp</b>	Suitable for module frame heights between 30 and 50 mm

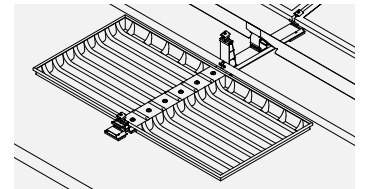
## TECHNICAL DATA

<b>Application type</b>	Flat roof up to 10° (special projects possible)
<b>Work angle</b>	10° and 15°
<b>Alignment</b>	South
<b>Roof covering</b>	Film, bitumen, gravel, greening, metal, concrete
<b>Standard spacing</b>	1500 mm / 1650 mm
<b>Weight</b>	<ul style="list-style-type: none"> <li>· 4.6 kg per module unit (double module)</li> <li>· From 1.44 kg/m<sup>2</sup></li> </ul>
<b>High-tech protection mat</b>	<ul style="list-style-type: none"> <li>· 11 mm-thick high-tech protection mat with non-slip coating</li> <li>· No softener migration</li> </ul>
<b>Approvals</b>	<ul style="list-style-type: none"> <li>· System capable of carrying lightning current according to DIN EN 62561 (VDE 185-561-1):2013-02</li> <li>· National technical approval Z-14.4-790 for the aerodynamic flat roof system</li> <li>· Testing according to UL2703 for the American market</li> </ul>
<b>Material</b>	Aluminium EN AW 6060 T66 Stainless steel A2-70
<b>PV module suitability</b>	All standard PV module sizes: Width: 960 – 1068 mm Length: 1570 – mind. 2005 mm Height: 30 – 50 mm

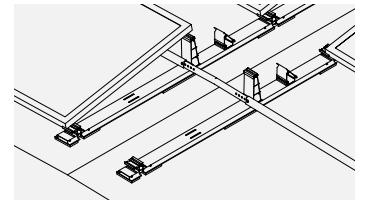
## ACCESSORIES



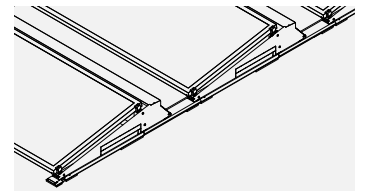
Fall protection



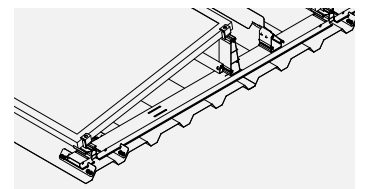
Ballast trough



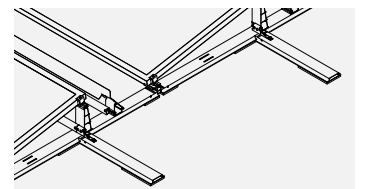
Ridge coupling



Side lid



Trapezoidal sheet adapter



Layout

Premium Mounting Technologies GmbH & Co. KG  
 Industriestr. 25  
 D-95346 Stadtsteinach  
 info@pmt.solutions

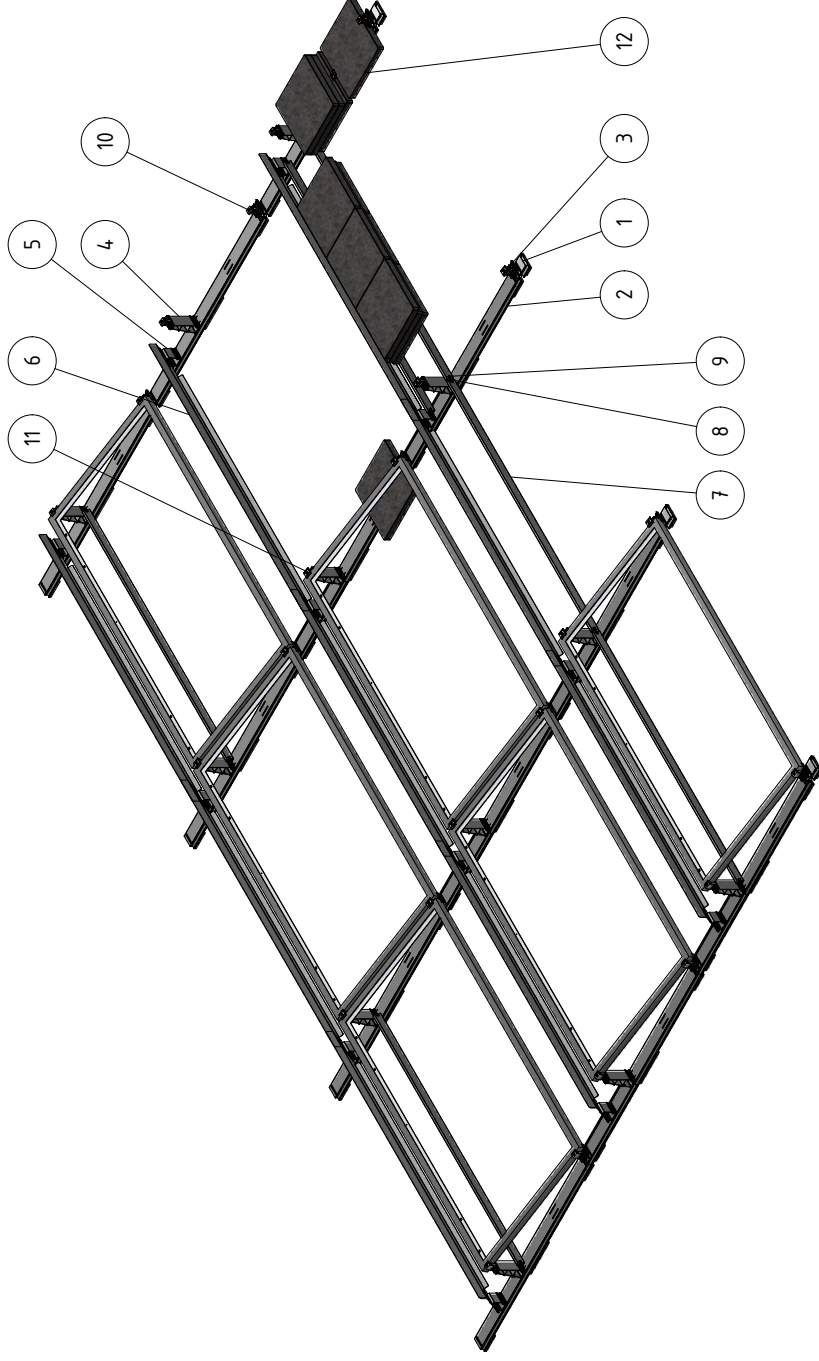
[www.pmt.solutions](http://www.pmt.solutions) Service-Hotline +49 9225 9550 0

Further information: [www.pmt.solutions](http://www.pmt.solutions)  
 Subject to technical changes  
 2020 © Premium Mounting Technologies GmbH & Co. KG

# PMT EVO 2.0 S

## TECHNICAL DATASHEET

PARTS LIST	
Building	Component number
1	EVO 2.0 AEBP type 75
2	EVO 2.0 HBP
3	EVO 2.0 B10 type 75
4	EVO 2.0 T10 type 75
5	EVO 2.0 RWT10 type 75
6	EVO 2.0 RWT10
7	EVO 2.0 QBS
8	EVO 2.0 QSV type 390
9	S type M8x30
10	EK type 35
11	MK type 40
12	Ballast stone



MODULE SPACING	
Dimension A	Dimension B
1467	1500
1618	1650

