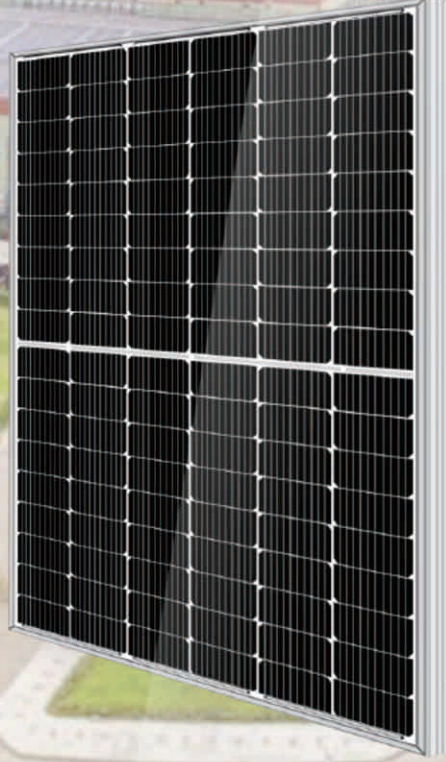


KD-M415-182*182-108MH

Rated Power 390-415W



MBB Cell

New circuit design, lower internal current, lower internal resistance loss.



Higher Output Power

Module adopts 108 pcs of 182*182mm half cells, the maximum power can reach 415W.



Harsh Environmental Adaptability

Strict salt spray and ammonia corrosion test by TUV .



Low Light Features

Higher performance under low light environment.



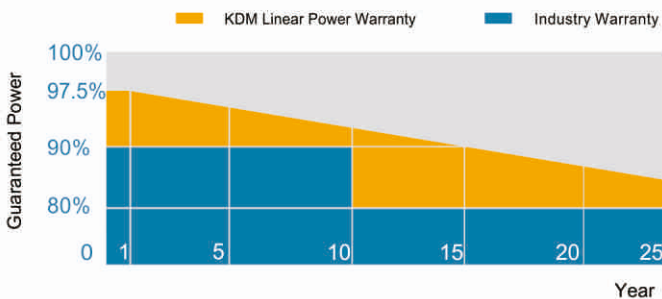
PID Protection

Ensure the attenuation probability caused by PID phenomenon is minimized.



Load Capacity

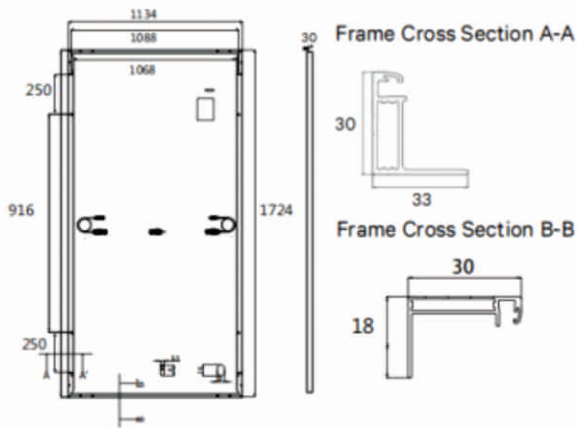
Mechanical load tests including wind load 2400 Pa and snow load 5400 Pa done by TUV .



12+ Material & Workmanship warranty

25+ Linear power output warranty

MECHANICAL DIAGRAMS



SPECIFICATIONS

Weight	21.5kg
Dimensions	1724mm*1134mm*30mm
Cell Dimensions	182*182mm
Cell Amount	54*2 pcs
Maximum System voltage	1500V
Junction Box	Ip68
Frame	Aluminum Alloy
Cable	4mm2, Landscape: N 1100mm/P 1100mm Portrait: N 200mm/P 300mm
Connector	Mc4 compatible
Application Level	Class A

ELECTRICAL PARAMETERS AT STC

Power	390W	395W	400W	405W	410W	415W
Open Circuit Voltage	36.54V	36.74V	36.94V	37.14V	37.34V	37.54V
Short Circuit Current	13.50A	13.55A	13.60A	13.65A	13.70A	13.75A
Maximum Power Voltage	30.42V	30.62V	30.82V	31.02V	31.22V	31.42V
Maximum Power Current	12.82A	12.88A	12.94A	13.00A	13.06A	13.12A
Module Efficiency	19.95%	20.20%	20.46%	20.72%	20.97%	21.20%

* Under Standard Test Condition(STC) of irradiance of 1000W/m2,spectrum AM 1.5 and cell temperature of 25°C

ELECTRICAL PARAMETERS AT NMOT

Power	287W	291W	295W	298W	302W	306W
Open Circuit Voltage	34.09V	34.29V	34.49V	34.69V	34.89V	35.09V
Short Circuit Current	10.60A	10.65A	10.70A	10.75A	10.80A	10.85A
Maximum Power Voltage	28.38V	28.58V	28.78V	28.98V	29.18V	29.38V
Maximum Power Current	10.11A	10.18A	10.25A	10.28A	10.35A	10.42A
Module Efficiency	14.68%	14.88%	15.09%	15.24%	15.45%	15.65%

* Under Nominal Module Operating Temperature(NMOT) irradiance of 800W/m2, spectrum AM 1.5, ambient temperature 20°C, wind speed 1m/s

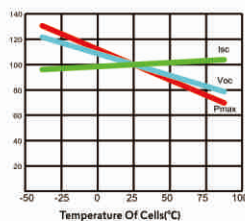
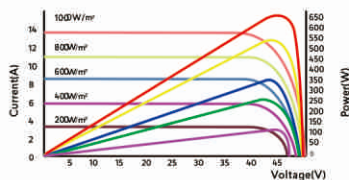
TEMPERATURE CHARACTERISTICS

NMOT	41±3°C	Temp Coefficient of ISC	+0.05%/°C
Temp Coefficient of VOC	-0.28%/°C	Temp Coefficient of Pmax	-0.36%/°C

PACKING CONFIGURATION

Modules/Pallet	36PCS	Modules/40HQ	936PCS
Packing description	26pallets,	Total (36+36)*13=936PCS	

CHARACTERISTICS



MAXIMUM RATING

Output Tolerance	0~+5W
Operating Temperature	-40°C~+85°C
Wind Load/Snow Load	2400pa/5400pa
Fuse Current	25A

Contact : 86 13626670257
Email:kingdom@kingdomsolar.net

