

72 MONOCRYSTALLINE
SOLAR CELLS

MODULE DATASHEET

Up to 19.84%
EFFICIENCY

365-385 W
RANGE

5 BB Module

Cosmic PV Power photovoltaic (PV) modules set the industry benchmark for reliable energy production, optimized design and environmental performance. Cosmic Modules are designed for High area efficiency suitable for roof-top and ground mounted applications.

PRODUCT | KEY FEATURES



Glass with anti-reflective coating
To maximize sunlight potential



Superior Module Efficiency



Positive Power tolerance up to
3% Extra.



Pre and Post EL Checking
to ensure defect free modules



Ip68 Junction Box for
Long Term Weather Endurance



Ensure safety parameters
through Safety test



Best in-class
Reliability & Durability

APPLICATIONS

- ◆ On-Grid large scale utility systems
- ◆ On-Grid Rooftop residential, commercial and industrial rooftop installations
- ◆ Off-Grid Residential systems



High Reliability

Using tempered glass as back sheet, which brings higher reliability and better anti-corrosiveness to the module in weak-light conditions



Best in Class reliability

Cosmic Modules are able to withstand wind load 2400pa and snow load 5400Pa



Higher Generation

Excellent temperature coefficient giving higher yields in the long term



DCR Content
module is available



ELECTRICAL DATA STC

Module Type	COSMO 365	COSMO 370	COSMO 375	COSMO 380	COSMO 385
Maximum Voltage V_{mpp} (V)	39.8	40.0	40.1	40.2	40.3
Maximum Current I_{mpp} (A)	9.17	9.26	9.36	9.46	9.56
Open Circuit Voltage V_{oc} (V)	48.3	48.5	48.7	48.8	48.9
Short Circuit Current I_{sc} (A)	9.73	9.84	9.94	10.04	10.14
Module Efficiency η (%)	18.81	19.07	19.33	19.58	19.84

ELECTRICAL DATA NOCT

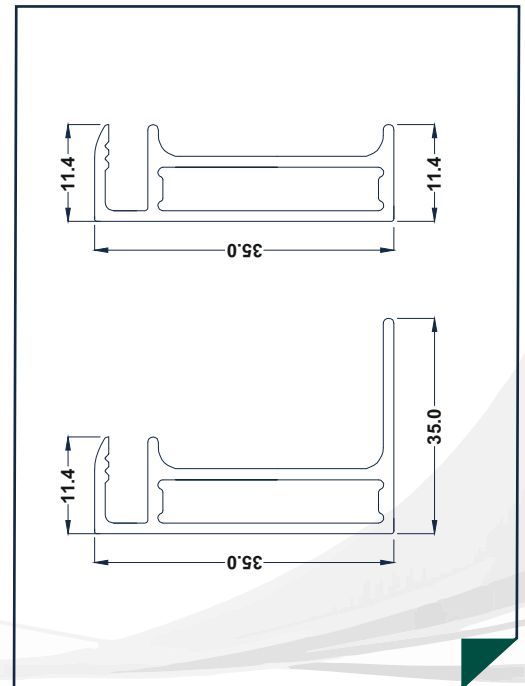
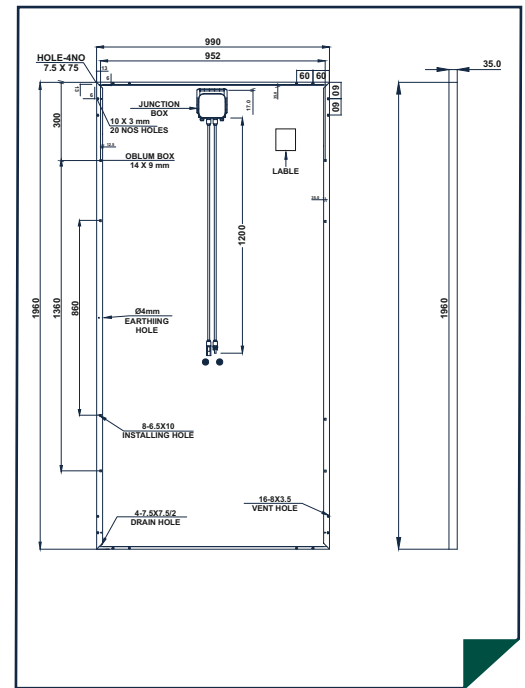
Power (W)	270.2	273.9	277.6	281.2	284.9
$V@P_{max}$ (V)	36.8	36.9	37.1	37.0	37.1
$I@P_{max}$ (A)	7.34	7.41	7.49	7.57	7.65
V_{oc} (V)	44.7	44.9	45.0	44.9	45.0
I_{sc} (A)	7.87	7.96	8.04	8.03	8.11

THERMAL CHARACTERISTICS

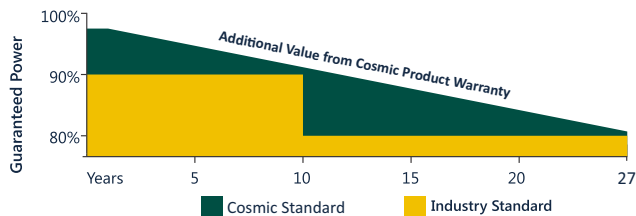
Temperature coefficient of Current (I_{sc}), α (%/°C)	0.057
Temperature coefficient of Voltage (V_{oc}), β (%/°C)	-0.28
Temperature coefficient of Power (P_m), γ (%/°C)	-0.39
NOCT (°C)	45 + 2
Operating temperature range (°C)	-40 to 85

MECHANICAL CHARACTERISTICS

Length x Width x Thickness (L x W x T)	1960 mm (L) x 990 mm (W) x 35 mm (T)
Weight	19.5 kgs
Solar Cells per Module (Units) / Arrangement	72 / (12x6)
Solar Cell Type & Size	Mono crystalline Silicon, 157 x 157 mm
Front Glass	3.2 mm Low Iron and Tempered glass with ARC coating
Encapsulate	PID Free & UV Resistant
Junction Box (Protection degree / Material)	IP68 / Weatherproof PPO
Connector (Protection degree / Type)	IP68 rated / MC4 compatible
Cable Cross - Section & Length	4 m ² & 1200mm
Frame	Anodized Aluminium Alloy

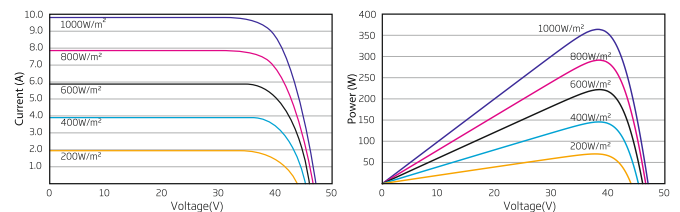


Cosmic PV Performance Warranty



10 Years Product Warranty - 27 Years Linear Power Warranty

I-V Curves of PV Module



COSMIC PV POWER PRIVATE LIMITED

1800 891 9590
www.cosmicpvpower.com
info@cosmicpvpower.com

Cosmic PV Power Pvt. Ltd.
 E-11, Ghael Compound,
 Udhna, Surat - 394210

Block No. E-43/44, D-26/27,
 Hindva Dreams, Dhoran Pardi,
 Kamrej, Surat - 394155

COSMICTM
 Solar For A Better Future