

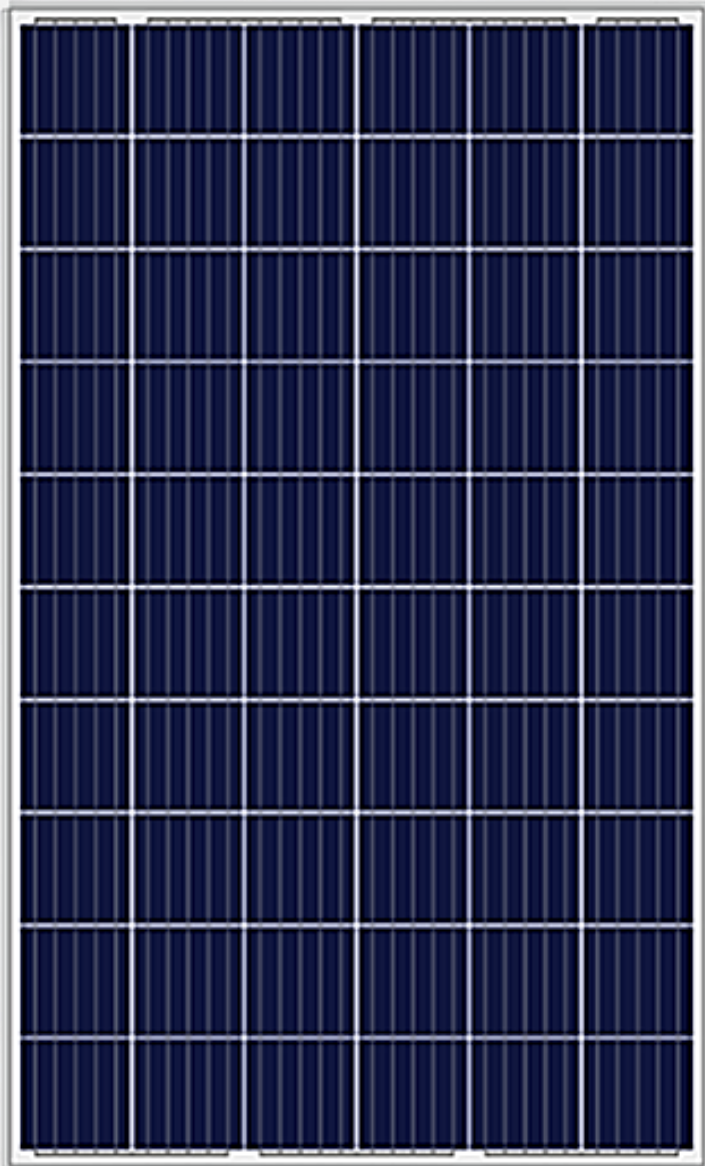
SW60P

275W/280W/285W

Polycrystalline Module



General Features:



IP68 junction box, connector

IP68 junction box and connector have a high degree of waterproof, effectively resist the harsh environment.



15A current

The junction box carries a current of 15A, ensuring high current flow through the modules.



Strong mechanical load capacity

Passed the 2400pa wind load and 5400pa snow load test, ensuring that the module has a stable mechanical life.



10 Years Manufacturer's Warranty

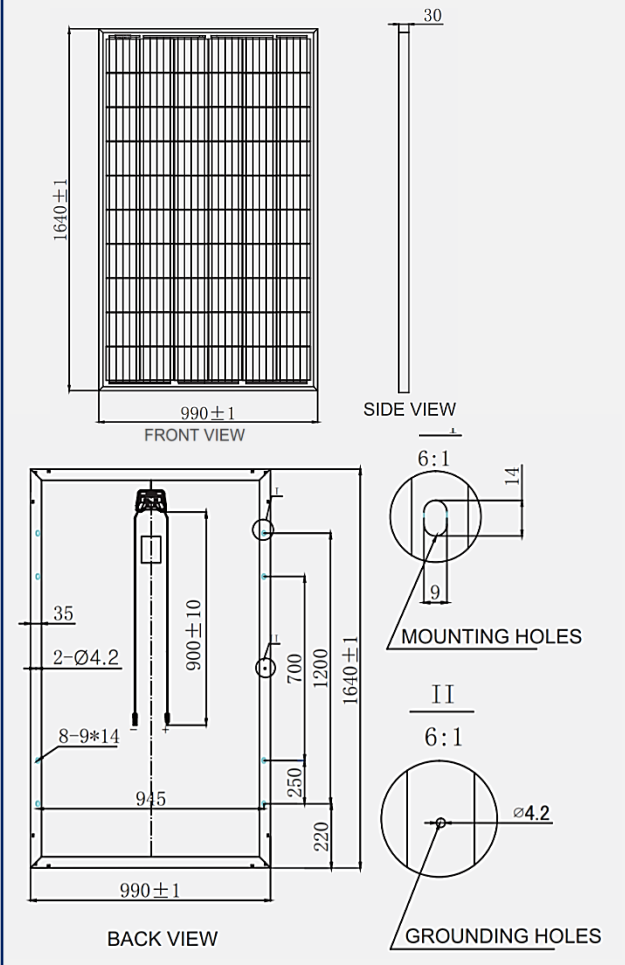


Positive Power tolerance is guaranteed (0 to 5 Wp)



Excellent Low Light Performance

MECHANICAL DRAWINGS



MECHANICAL SPECIFICATION

Cell Type	Poly Crystal line 156.75x156.75mm
Number Of Cells	60 (6x10)
Dimensions(AxBxC)	1640x990x30mm
Weights	18.5kg
Front Glass	3.2mm Tempered Low Iron Glass
Frame	Anodized Aluminum
Junction Box	IP68,with Bypass Diodes
Connector	Mc4 Compatible
Output Cables	Tuv,alength 90Limm,4.0mm'

ELECTRICAL CHARACTERISTICS

Maximum Power At SEC(Pmax)	275W	280W	285W
Short Circuit Current(Isc)	9.18A	9.29A	9.38A
Open Circuit Voltage(Voc)	38.0V	38.5V	38.7V
Maximum Power Current(Imp)	8.76A	8.86A	8.96A
Maximum Power Voltage(Vmpp)	31.4V	31.6V	31.8V
Module Efficiency	16.9%	17.25%	17.55%
Power Tolerance	0- +3%	0- +3%	0- +3%

STC: 1000W/m² irradiance, 25°C cell temperature, AM1.5.

NOCT

Maximum PowerAt SEC(Pmax)	200.0	203.7	207.4
Short Circuit Current(Isc)	9.18A	7.43	7.52
Open Circuit Voltage(Voc)	38.0V	35.1	35.6
Maximum Power Current(Imp)	8.76A	6.99	7.07
Maximum Power Voltage(Vmpp)	31.4V	29.2	29.3

NOCT: Irradiance al 800W. W. Ambient Temperature 20°C. Wind speed 1m."s.

SYSTEM INTEGRATION PARAMETERS

Maximum System Voltage	VDC 1000V
Maximum Series Fuse	15A
Increased Snowload Acc.to Iec 61215	5400Pa
Operating Temperature	-40~+85°C
Number Of Bypass Diodes	3

TEMPERATURE CHARACTERISTICS

Nominal Operating Celltemperature(Noct)	45°C+2°C
Temperature Coefficient Of Pmax	-0.41%/°C
Temperature Coefficient Of Voc	-0.33%/°C
temperature Coefficient Of Isc	0.06%/°C

TEMPERATURE CHARACTERISTICS

Container	20'GP	40' GP/40' HQ
Pieces Per Pallet	35	35/35
Pallets Per Container	14	28/28
Pieces Per Container	468	980/1050

MECHANICAL DRAWINGS

