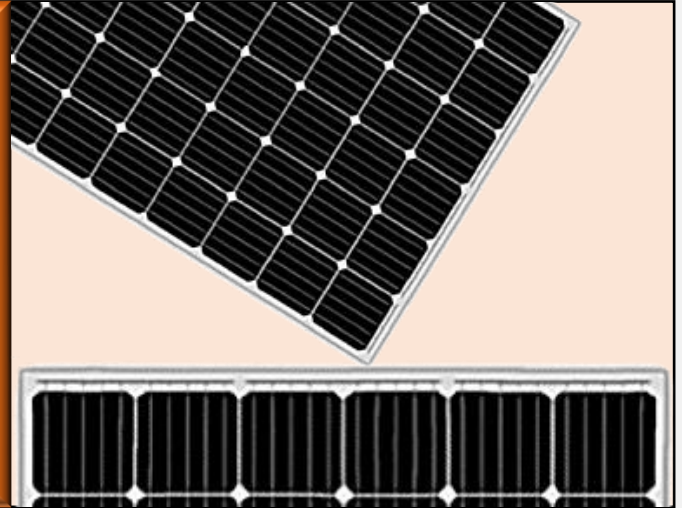


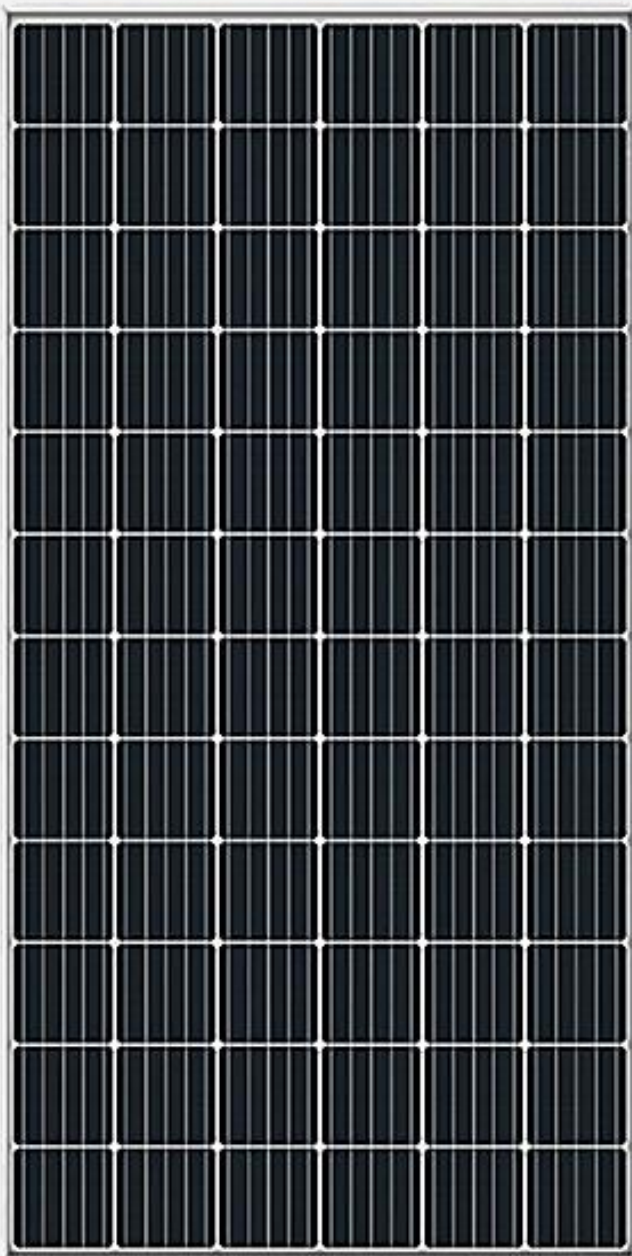
SW72M

380W-390W-400W

Monocrystalline Module



General Features:



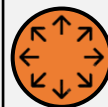
IP68 junction box, connector

IP68 junction box and connector have a high degree of waterproof, effectively resist the harsh environment.



15A current

The junction box carries a current of 15A, ensuring high current flow through the modules.



Strong mechanical load capacity

Passed the 2400pa wind load and 5400pa snow load test, ensuring that the module has a stable mechanical life.



10 Years Manufacturer's Warranty

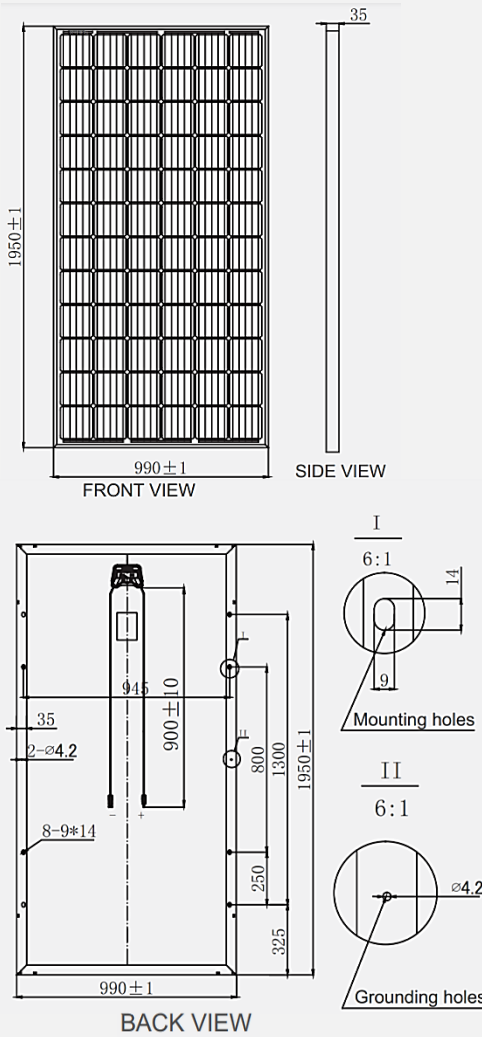


Positive Power tolerance is guaranteed (0 to 5 Wp)

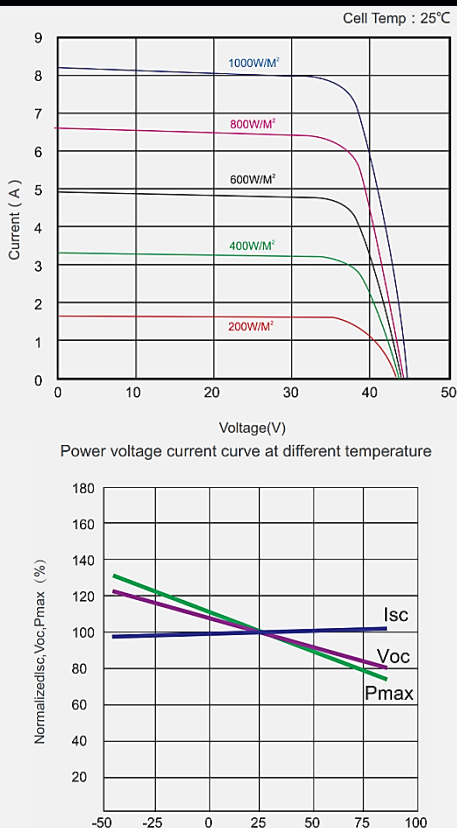


Excellent Low Light Performance

MECHANICAL DRAWINGS



MECHANICAL DRAWINGS



MECHANICAL SPECIFICATION

Cell Type	Mono Crystalline 158.75x158.75mm
Number Of Cells	72 (6x12)
Dimensions(AxBxC)	1979x1002x35mm
Weights	23.0kg
Front Glass	3.2mm Tempered Low Iron Glass
Frame	Clear Anodized Aluminum Alloy
Junction Box	IP68,with Bypass Diodes
Connector	Mc4 Compatible
Output Cables	Tuv \pm length 900mm,4.0mm ²

ELECTRICAL CHARACTERISTICS

Maximum Power At STC (Pmax)	380W	385W	390W	395W
Short Circuit Current (Isc)	9.97A	10.08A	10.14A	1024A
Open Circuit Voltage (Voc)	48.7V	48.9V	49.2V	49.4V
Maximum Power Current (Imp)	9.52A	9.60A	9.68A	9.78A
Maximum Power Voltage (Vmpp)	39.9V	40.1V	40.3V	40.4V
Module Efficiency	19.16%	19.42%	19.67%	19.92%
Power Tolerance	0~+3%	0~+3%	0~+3%	0~+3%

NOCT

Maximum Power At STC (Pmax)	283.3	287.0	290.7	294.4
Short Circuit Current (Isc)	8.07	8.16	8.21	8.29
Open Circuit Voltage (Voc)	45.0	45.2	45.5	45.7
Maximum Power Current (Imp)	7.65	7.74	7.78	7.86
Maximum Power Voltage (Vmpp)	37.0	37.1	37.4	37.5

SYSTEM INTEGRATION PARAMETERS

Maximum System Voltage	VDC 1000V
Maximum Series Fuse	15A
Increased Snowload Acc.to IEC 61215	5400Pa
Operating Temperature	-40 ~+85C
Number Of Bypass Diodes	3

TEMPERATURE CHARACTERISTICS

Norminal Operating Cell Temperature (Noct)	45°C \pm 2°C
Temperature Coefficient Of Pmax	-0.40%/°C
Temperature Coefficient Of Voc	-0.29%/°C
Temperature Coefficient Of Isc	0.05%/°C

PACKING CONFIGURATION

Container	40` HQ
Pieces Per Pallet	30
Pallets Per Container	22
Pieces Per Container	660

