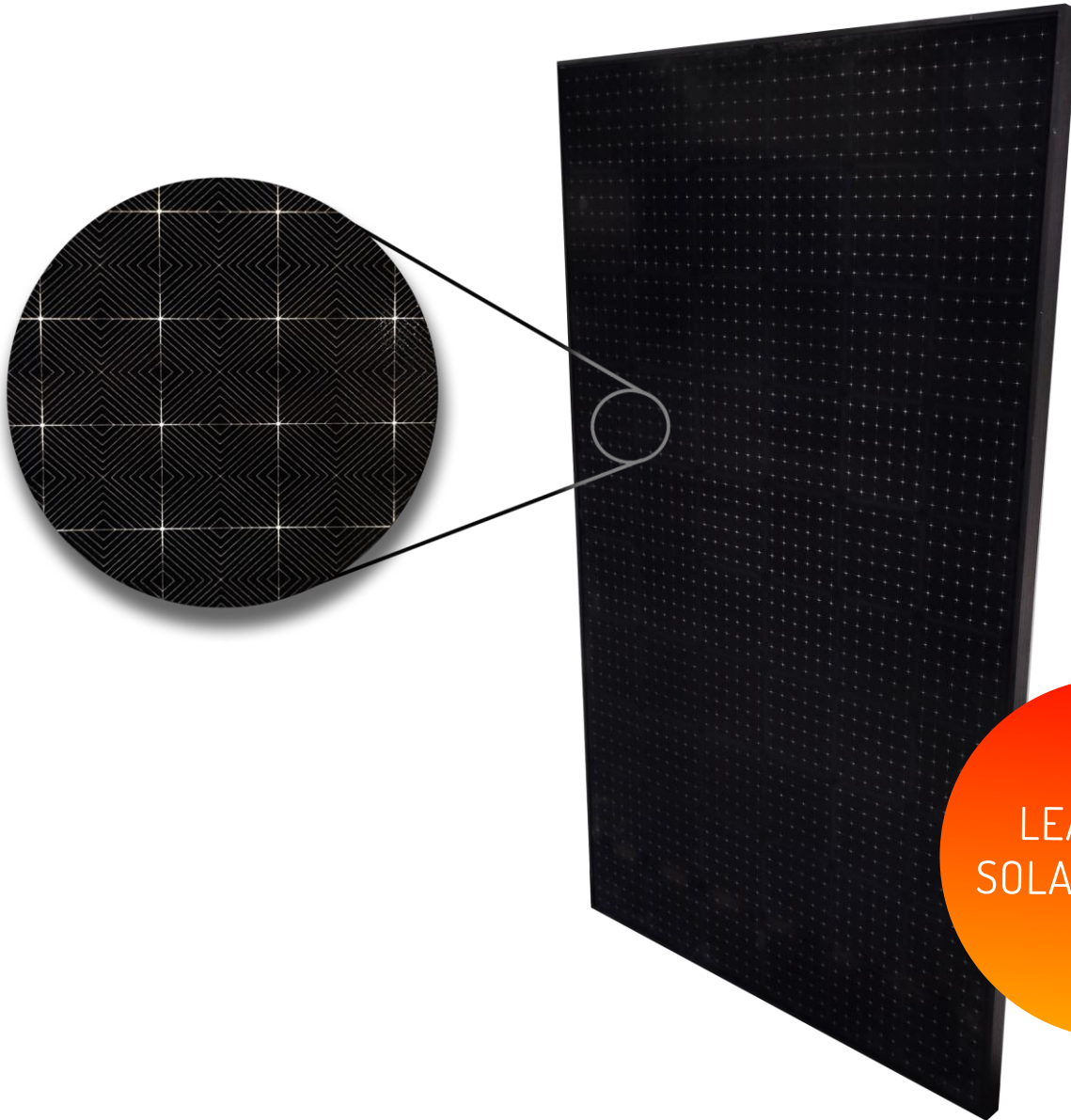


# X-GLASS™

“POWER THAT LASTS”



Mono MWT  
Back contact  
320 / 330 Wp

LEAD FREE  
SOLAR MODULE



>19,7%

HIGH MODULE  
EFFICIENCY



HIGH PERFORMANCE  
RATIO



30+ yr

HIGH DURABILITY



ELEGANT CELL  
PATTERN

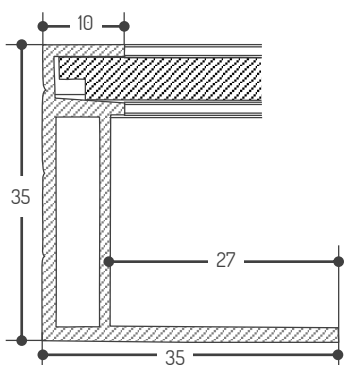
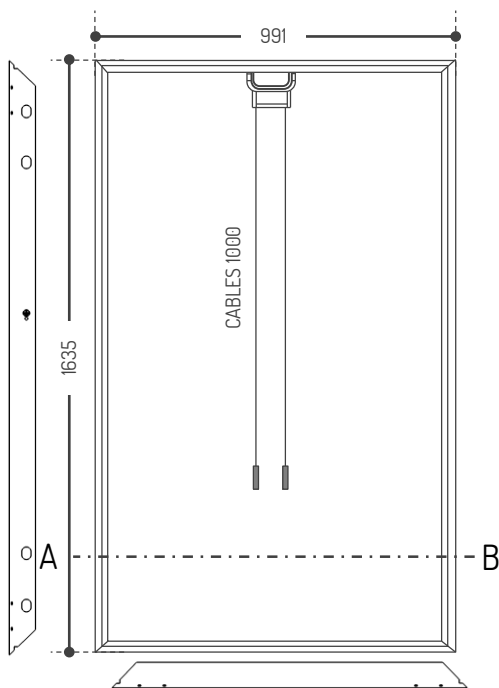


PRODUCED IN THE  
NETHERLANDS

EXASUN

# X-GLASS™ SOLAR PV MODULES (60 cells)

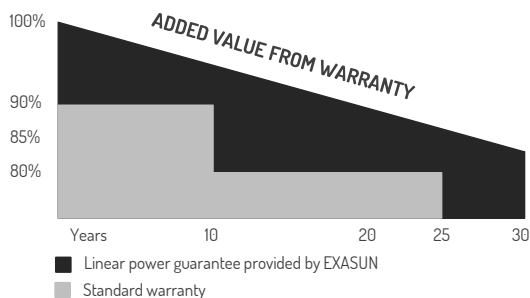
INVENTED & PRODUCED IN EUROPE



## WARRANTIES

30 yr Product Workmanship Warranty

30 yr Linear Power Warranty



# EXASUN

Laan van Ypenburg 122  
2497 GC DEN HAAG-ZH  
THE NETHERLANDS

+3188 4343 888  
info@exasun.com  
www.exasun.com

MODULE TYPE		XG60-F320BL 320Wp	XG60-F330WT 330Wp White
<b>ELECTRICAL PERFORMANCE (STC)</b>			
Module Efficiency	Nm [%]	19.7%	20.4%
Peak Power Output $P_{MAX}$	[Wp]	320	330
Maximum Power Voltage $V_{MPP}$	[V]	33.9	34.1
Maximum Power Current $I_{MPP}$	[A]	9.5	9.7
Open Circuit Voltage $V_{OC}$	[V]	40.2	40.3
Short Circuit Current $I_{SC}$	[A]	9.8	10.5
STC: Irradiance at 1000 W/m <sup>2</sup> ; Cell temp. 25°C AM 1.5 spectrum according to EN 60904-3			
<b>ELECTRICAL PERFORMANCE (NOCT)</b>			
Maximum Power $P_{MAX}$	[Wp]	237	244
Maximum Power Voltage $V_{MPP}$	[V]	29.1	29.3
Maximum Power Current $I_{MPP}$	[A]	8.1	8.3
NOCT: Irradiance at 800 W/m <sup>2</sup> ; Ambient Temp. 20°C, Wind speed 1 m/s			
<b>COMPONENTS &amp; DIMENSIONS</b>			
Cell Type		PERC - Monocrystalline Silicon - Metal Wrap Through	
Cell Dimensions	mm	156.75 x 156.75	
Module Type		Framed Glass-Glass	
Module Dimensions	mm	1635 x 991	
Module Weight	kg	22.5	
Mounting		Black Anodized Aluminum Frame	
Frontside Glass		2.0 Tempered Ultra clear Glass (EN1863) AR Coated & Structured	
Backside Glass		2.0 mm Tempered Glass	
Diodes		3	
Connector		MC 4	
<b>OPERATING CONDITIONS</b>			
Max. Static Load Front	Snow	5400 Pa	
Max. Static Load Back	Wind	2400 Pa	
Max. Hail Stone Impact	mm at m/s	75 mm at 39.5 m/s	
Temp. Coefficient Power	$P_{MAX}$	-0.375 %/K	
Temp. Coefficient Voltage	$V_{OC}$	-0.294 %/K	
Temp. Coefficient Current	$I_{SC}$	+0.041 %/K	
Operating Temperature Range	°C	-40 to 125	
Max System Voltage	V DC	1000	
Max Series Fuse Rating	A	12	

## OUR PARTNER

## CERTIFICATIONS

Certification ongoing  
IEC 61215 and IEC61730-1, -2



EXASUN endeavors to provide you with the correct specifications. This data sheet complies with the requirements of NEN EN 50380. Specifications are subject to change without prior notice.  
© EXASUN | 2018 | All Rights reserved