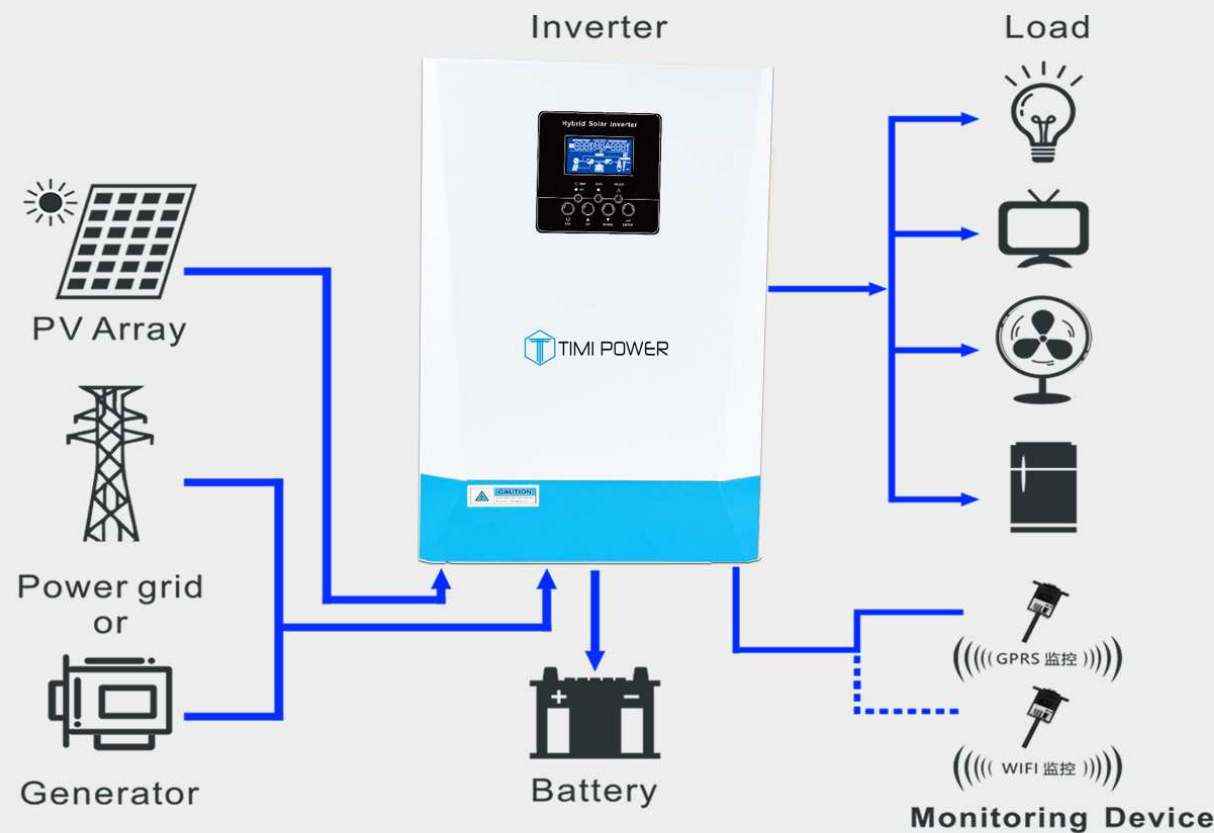


TimiEra MH Series

Off Grid Solar Inverter

- ◆ Rated Power 3KW or 5KW
- ◆ Pure Sine Wave
- ◆ Inbuilt MPPT Controller
- ◆ Can Work With or Without Battery
- ◆ WiFi/GPRS Monitoring
- ◆ CAN/RS485 Communication
- ◆ Parallel Operation Up to 12 Units



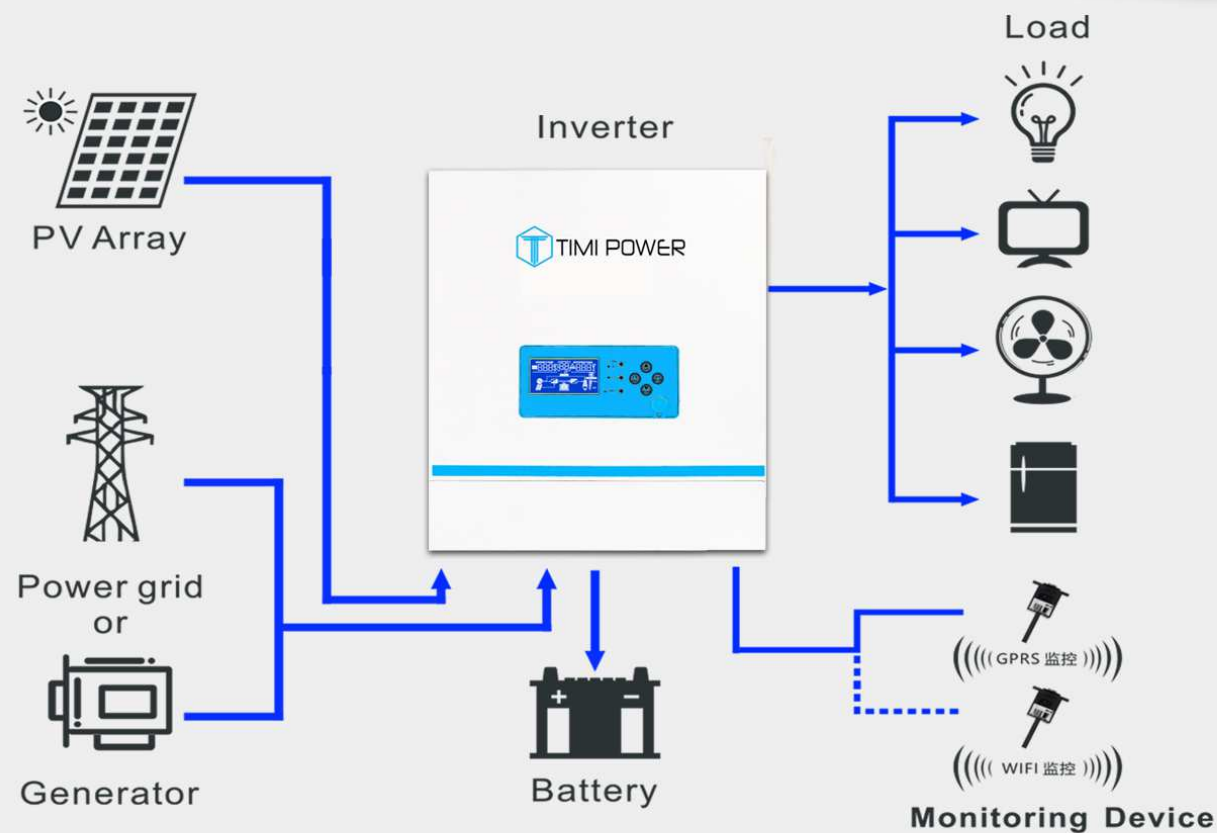
SPECIFICATIONS

Model	TimiEra MH3000S-24	TimiEra MH5000S-48	TimiEra MH5000P-48
CAPACITY	3KVA/3KW	5KVA/5KW	5KVA/5KW
Parallel Capability	NO	NO	YES,12 units
INPUT			
Nominal Voltage	230VAC		
Acceptable Voltage Range	170-280VAC(For personal Computer);90-280VAC(For Home Appliances)		
Frequency	50/60 Hz (Auto sensing)		
OUTPUT			
Nominal Voltage	220/230VAC±5%		
Surge Power	6000VA	10000VA	10000VA
Frequency	50/60 Hz		
Waveform	Pure Sine wave		
Transfer Time	10ms(For personal Computer);20ms(For Home Appliances)		
Peak Efficiency (PV to INV)	97%		
Peak Efficiency (Battery to INV)	93%		
Overload Protection	5s@>=150% load; 10s@110%~150% load		
Crest Factor	3:1		
Admissible Power Factor	0.6~1 (inductive or capacitive)		
BATTERY			
Battery Voltage	24VDC	48VDC	48VDC
Floating Charge Voltage	27VDC	54VDC	54VDC
OverCharge Protection	33VDC	63VDC	63VDC
Charging Method	CC/CV		
Solar Charger & AC Charger			
Solar Charger TYPE	MPPT		
Max.PV Array Power	4000W	5000W	5000W
Max. PV Array Open Circuit Voltage	500VDC		
PV Array MPPT Voltage Range	120VDC~450VDC		
Max. Solar Input Current	15A	18A	18A
Max. Solar Charge Current	100A	80A	80A
Max. AC Charge Current	60A	60A	60A
Max. Charge Current	100A	80A	80A
PHYSICAL			
Dimensions, D x W x H(mm)	448x295x105		
Package Dimensions, D x W x H(mm)	565x380x190		
Net Weight (Kg)	9	10	10
Communication Interface	USB/RS232/Dry-contact		
ENVIRONMENT			
Operating Temperature Range	-10°C to 50°C		
Storage temperature	-15°C~ 60°C		
Humidity	5% to 95% Relative Humidity (Non-condensing)		

TimiEra HL Series

Off Grid Solar Inverter

- ◆ Rated Power 3KW
- ◆ Pure Sine Wave
- ◆ Inbuilt MPPT Controller
- ◆ WiFi/GPRS Monitoring
- ◆ Inbuilt Anti-Dust Kit

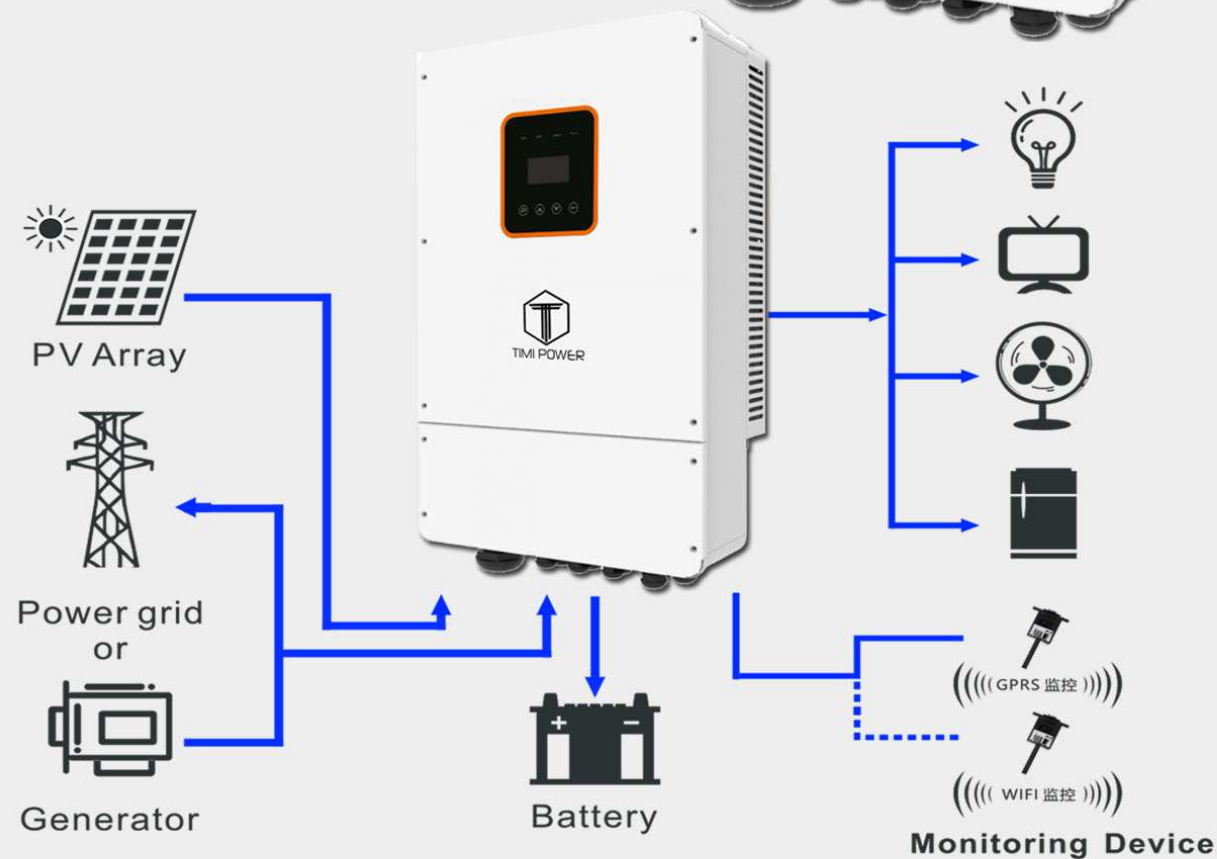


SPECIFICATIONS

Model	TimiEra HL3000S-24
CAPACITY	3KVA/3KW
Parallel Capability	NO
INPUT	
Nominal Voltage	230VAC
Acceptable Voltage Range	170-280VAC(For personal Computer);90-280VAC(For Home Appliances)
Frequency	50/60 Hz (Auto sensing)
OUTPUT	
Nominal Voltage	220/230VAC ±5%
Surge Power	6000VA
Frequency	50/60 Hz
Waveform	Pure Sinewave
Transfer Time	10ms(For personal Computer);20ms(For Home Appliances)
Peak Efficiency(PV to INV)	93%
Peak Efficiency(Battery to INV)	93%
No-load loss	Standard mode <30w
Battery to INV	Saving mode <15w
Overload Protection	5s@>=150% load; 10s@110%~150% load
Crest Factor	3:1
Admissible Power Factor	0.6~1 (inductive or capacitive)
BATTERY	
Battery Voltage	24VDC
Floating Charge Voltage	27VDC
OverCharge Protection	33VDC
Charging Method	CC/CV
Solar Charger & AC Charger	
Solar Charger TYPE	MPPT
Max. PV Array Power	1000W
Max. PV Array Open Circuit Voltage	100VDC
PV Array MPPT Voltage Range	30~80VDC
Max. Solar Charge Current	40A
Max. AC Charge Current	100A
Max. Charge Current	140A
PHYSICAL	
Dimensions, D x W x H(mm)	357x297x96
Package Dimensions, D x W x H(mm)	465x380x175
Net Weight (Kgs)	7
Communication Interface	Rs232
ENVIRONMENT	
Operating Temperature Range	-10°C to 50°C
Storage temperature	-15°C~ 60°C
Humidity	5% to 95% Relative Humidity(Non-condensing)

TimiEra HB Series Hybrid Solar Inverter

- ◆ Rated Power 8KW
- ◆ Hybrid On/Off Grid Inverter
- ◆ 100% Support Unbalanced Loads
- ◆ Bypass Support up to 100A Current
- ◆ Intelligent Monitoring Solution
- ◆ Parallel Operation Opitonal



SPECIFICATIONS

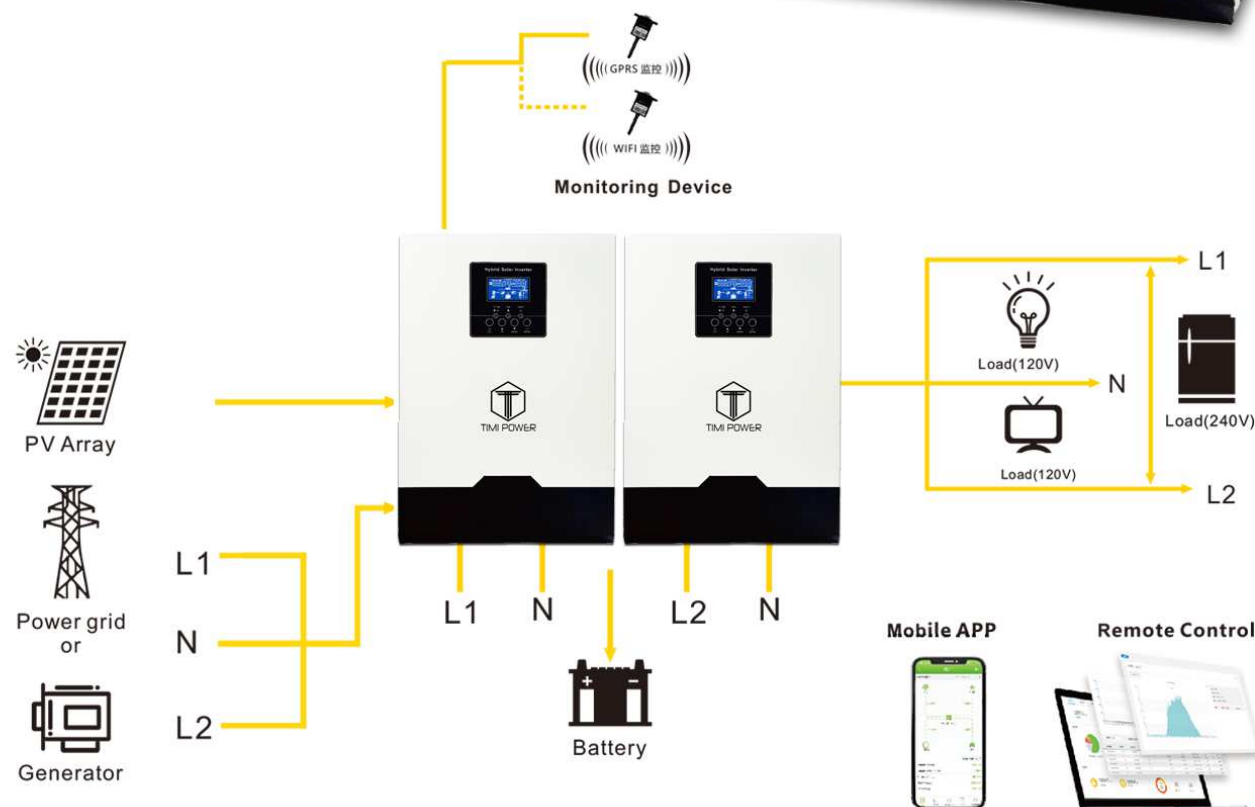
Technical specification	R8KLNA
Input (PV)	
Max. power(kW)	12
Max. DC voltage (V)	500
MPPT voltage range(V)	120~500
Max.Input current of single MPPT(A)	12
MPPT tracker/strings	4/1
AC output	
Rated output power(kVA)	8
Max. output current(A)	38.3
Ac output voltage(V)	230 (single phase)
Frequency (Hz)	50/60
PF	0.8lagging-0.8leading
THDi	< 3%
AC output topology	single phase
Battery	
Battery voltage range(V)	40~58
Max. charging voltage(V)	58
Max. charge/discharge current(A)	190/190
Battery type	lithium /Lead-acid
Communication interface	CAN/RS485
EPS output	
Rated power(kVA)	8
Rated output voltage(V)	230 (single phase)
Rated output current(A)	38.3
Rated frequency(Hz)	50/60
Automatic switching time(ms)	<20
THDu	< 2%
Overload capacity	125%,60S/150%,1S
General data	
Max. efficiency	≥98.2%
North american efficiency	≥97.2%
Ingress protection	IP65/NEMA 3R
Noise emission(dB)	<29
Operation temperature	-25°C ~ 60°C
Cooling	Natural
Relative humidity	0~95% (non-condensing)
Altitude	2,000m(>2,000 Derating)
Dimensions W *D *H (mm)	430*220*710
Weight(kg)	41
Isolation transformer	No
Self-consumption(W)	<3
Display and communication	
Display	LCD, touch screen
Interface:RS485/Wifi/4G/ CAN/DRM	Yes

info@timipower.com



TimiEra LV Series Off Grid Solar Inverter

- ◆ Rated Power 3KW
- ◆ Pure Sine Wave
- ◆ Inbuilt MPPT Controller
- ◆ Can Parallel as Split Phase 120V/240V
- ◆ WiFi/GPRS Monitoring
- ◆ CAN/RS485 Communication
- ◆ Parallel Operation Up to 12 Units



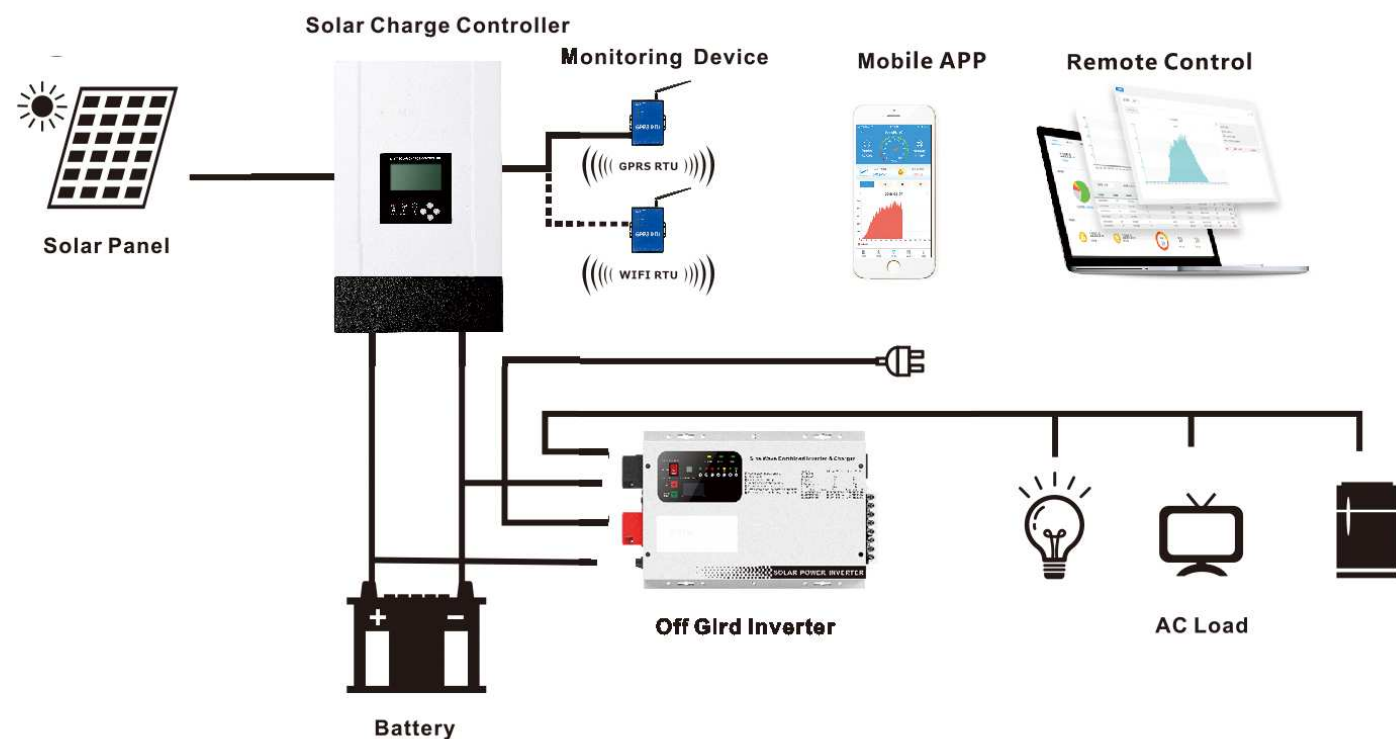
SPECIFICATIONS

Model	TimiEra LV3000S	TimiEra LV3000P
CAPACITY	3KVA/3KW	3KVA/3KW
Parallel Capability	NO	YES, 12 units
Split phase operation	NO	Yes, need at least 2 units parallel
INPUT		
Nominal Voltage	110/120VAC	
Acceptable Voltage Range	95-140VAC(For personal Computer);65-140VAC(For Home Appliances)	
Frequency	50/60 Hz (Auto sensing)	
OUTPUT		
Nominal Voltage	110/120VAC±5%	
Surge Power	6000VA	6000VA
Frequency	50/60Hz	
Waveform	Pure Sine wave	
Transfer Time	10ms(For personal Computer);20ms(For Home Appliances)	
Peak Efficiency (PV to INV)	97%	
Peak Efficiency (Battery to INV)	93%	
Overload Protection	5s@>=150% load; 10s@110%~150% load	
Crest Factor	3:1	
Admissible Power Factor	0.6~1 (inductive or capacitive)	
BATTERY		
Battery Voltage	48VDC	48VDC
Floating Charge Voltage	54VDC	54VDC
OverCharge Protection	63VDC	63VDC
Charging Method	CC/CV	
Solar Charger & AC Charger		
Solar Charger TYPE	MPPT	
Max.PV Array Power	5000W	5000W
Max. PV Array Open Circuit Voltage	500VDC	
PV Array MPPT Voltage Range	120VDC~450VDC	
Max. Solar Input Current	18A	18A
Max. Solar Charge Current	80A	80A
Max. AC Charge Current	60A	60A
Max. Charge Current	80A	80A
PHYSICAL		
Dimensions, D x W x H(mm)	448x295x105	
Package Dimensions, D x W x H(mm)	565x380x190	
Net Weight (Kg)	10	10
Communication Interface	USB/RS232/Dry-contact	
ENVIRONMENT		
Operating Temperature Range	-10°C to 50°C	
Storage temperature	-15°C~ 60°C	
Humidity	5% to 95% Relative Humidity (Non-condensing)	

TimiCon SCH Series

Solar Charge Controller

- ◆ 12V/24V/36V/48V Auto Work
- ◆ MPPT Efficiency >99.5%
- ◆ Peak Conversion Efficiency 98.5%
- ◆ Wide Range PV Input 18V~150V
- ◆ IP45, With Heatsink Cooling



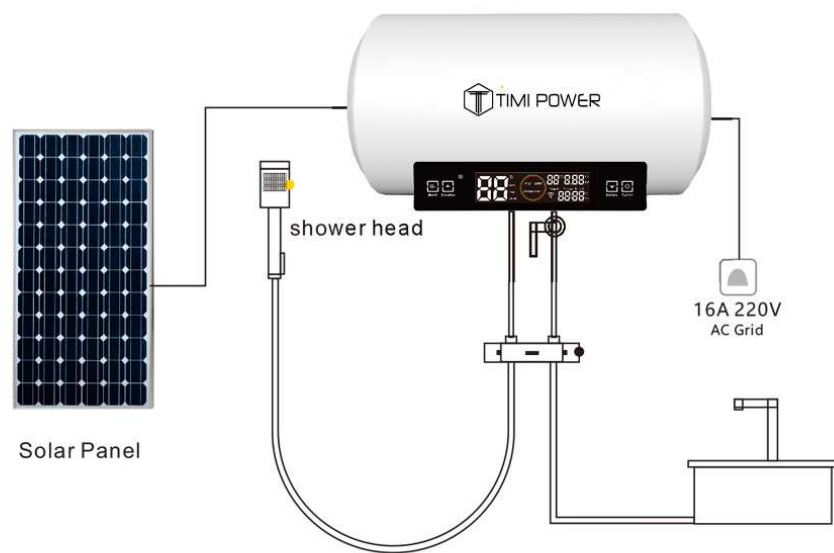
SPECIFICATIONS

Model	SCH-30A	SCH-40A	SCH-50A	SCH-60A	SCH-70A	SCH-80A	SCH-90A	SCH-100A
Solar System Voltage	12V/24V/36V/48V Auto work							
Electrical								
PV Operating Voltage	18~150Vdc@12V 35~150Vdc@24V 50~150Vdc@36V 65~150Vdc@48V							
Max. PV Input Power	12V 400W	12V 600W	12V 700W	12V 900W	12V 1000W	12V 1200W	12V 1300W	12V 1400W
	24V 800W	24V 1200W	24V 1400W	24V 1800W	24V 2000W	24V 2300W	24V 2600W	24V 2800W
	36V 1300W	36V 1700W	36V 2200W	36V 2600W	36V 3000W	36V 3300W	36V 3800W	36V 4200W
	48V 1700W	48V 2300W	48V 2900W	48V 3400W	48V 4000W	48V 4600W	48V 5000W	48V 5400W
Rated Output Current	30A	40A	50A	60A	70A	80A	90A	100A
Rated DC Load Current	40A		60A					
Self Consumption	<2W		<3W					
Max. Conversion Efficiency	97.5%		98.5%					
Protection	PV array short circuit, over charging, battery reverse polarity, output short circuit							
Battery Charging								
Battery Type	Sealed Gel AGM Flooded Lithium							
Charge Algorithm	3 stage: Bulk, Absorption, Float charging			4 stage: Bulk, Absorption, Float, Equalize charging				
Bulk Charge Voltage	Sealed: 14.4V AGM 14.2V Gel: 14.2V Flooded: 14.6V User defined: 10-15V							
Float Charge Voltage	Sealed/Gel/AGM: 13.8V Flooded: 13.7V User defined: 10-15V							
Equalize Charge Voltage	N/A		Sealed: 14.6V AGM: 14.8V Flooded: 14.9V					
Load Disconnect Voltage	9V-12V Adjustable							
Load reconnect voltage	Disconnect voltage +2V							
Temperature Compensation	5mV/°C/2V with BTS							
Communication								
Communication Port	Rs485 with On line monitoring system							
Physical								
Net Weight	3.3kg	3.3kg	6.5kg	6.5kg	7.8kg	7.8kg	9.0kg	9.0kg
Gross Weight	4.0kg	4.0kg	7.3kg	7.3kg	8.7kg	8.7kg	10kg	10kg
Dimension(mm)	220*170*90		310*230*110		370*230*110		405*230*110	
Cooling	Heatsink cooling							
Enclosure	IP 45							
Environment								
Ambient Operating Temperature	-25°C ~60°C							
Storage Temperature	-40°C ~80°C							
Humidity	5%-95% non-condensing							
Warranty	Two years							

※Technical data for 12V system at 25°C, twice in 24V system rate, triple in 36V System rate and quadruple in 48V system rate.

TimiHot SWH Series

Solar Water Heating System



WIFI Monitoring



Component



Solar Panel



Water tank



MPPT water heating controller



AC/DC heating element

SPECIFICATIONS

Model	SWH-H50L	SWH-H60L	SWH-H80L
Volume	50L	60L	80L
Solar			
Solar Max output power	1200w		
Recommmed solar panel	500w	600w	800w
Heating time 40°C	4 Hours		
Annual solar power Harvest	730 KWH	876 KWH	1168 KWH
Solar input voltage	160Vdc Max/25°C		
MPPT range	30Vdc-155Vdc		
AC			
AC heater power	2000w		
AC voltage	110v/220v		
Physical			
Monitoring	WIFI setting and monitoring (Option)		
Protection	Over temperture protection , leakage protection		
Inner tank material	Enamel		
Tank dimension	Φ390×785	Φ390×900	Φ440×835
Package dimension	530×440×915	530×440×1030	555×495×950
Net weight	19kg	21.5kg	26kg
Gross weight	20kg	23kg	28kg
Certificate	CE IEC62109		

- Photovoltaic power generation, low consumption and work at low temperature.
- MPPT controller technology, 99% of efficiency maximum the solar power harvest and convert to heat.
- Smart switching DC/AC control to cut the bill.
- Pressurized water tank, with 24H continuous hot water output, without waste of cold water.
- WIFI monitoring and remotely setting.
- Easy installation, maintenance and commissioning.

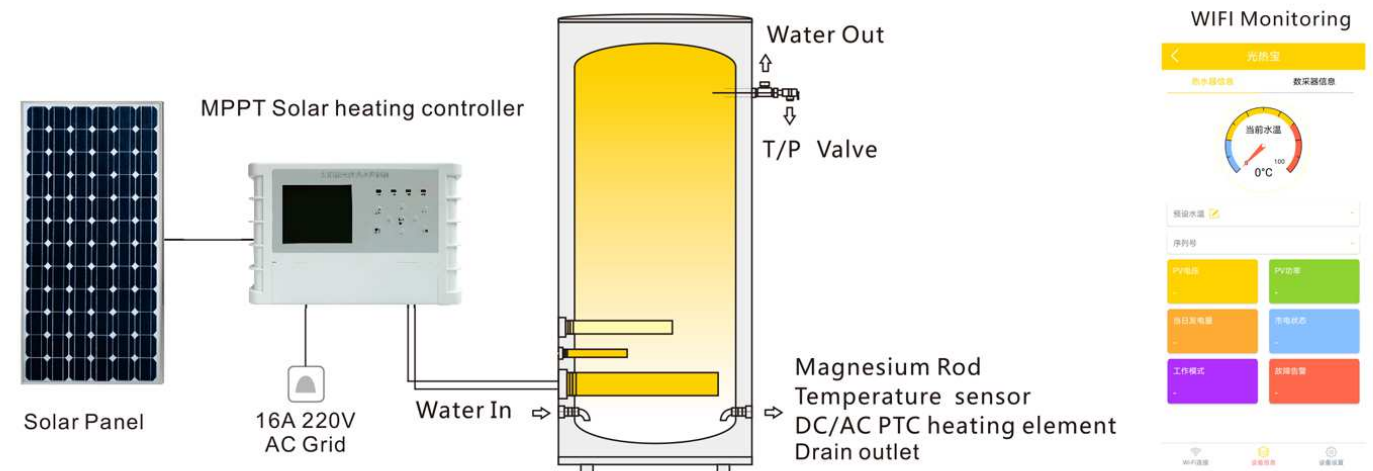


info@timipower.com



TimiHot SWH Series

Solar Water Heating System



Component



Solar Panel



MPPT water heating controller



Pressurized water tank



DC/AC PTC heating element

SPECIFICATIONS

Model	SWH-V100L	SWH-V150L	SWH-V200L	SWH-V300L
Volume	100L	150L	200L	300L
Solar				
Solar Max output power	2000w			
Recommeded solar panel	1000W	1200W	1500W	2000W
Heating time 40°C	4 Hours	5 Hours	5.5 Hours	5 Hours
Annual solar power Harvest	1460 KWH	1752 KWH	2190 KWH	3504 KWH
Solar input voltage	160Vdc Max/25°C			
MPPT range	35Vdc-155Vdc			
AC				
AC heater power	1200W	2000W	2000W	2000W
AC voltage	220V			
Physical				
Monitoring	WIFI setting and monitoring (Option)			
Protection	Over temperture protection, leakage protection			
Inner tank material	Stainless Steel			
Package dimension	Ø640*640*800	Ø640*640*1070	Ø640*640*1240	Ø640*640*1885
Gross weight	25kg	33kg	41kg	53kg
Certificate	CE IEC62109			

Applying the MPPT & DSP controlling technology, the AC & DC dual PTC element is powered by the solar through MPPT solar heating controller. With AC Grid as the backup power, hot water supplied by AC Grid in rainy days. Minimize the AC consumption greatly.

- Photovoltaic power generation, low consumption and work at low temperature.
- MPPT controller technology, 99% of efficiency maximum the solar power harvest and convert to heat.
- Smart switching DC/AC control to cut the bill.
- Pressurized water tank, with 24H continuous hot water output, without waste of cold water.
- WIFI monitoring and remotely setting.
- Easy installation, maintenance and commissioning.



info@timipower.com

