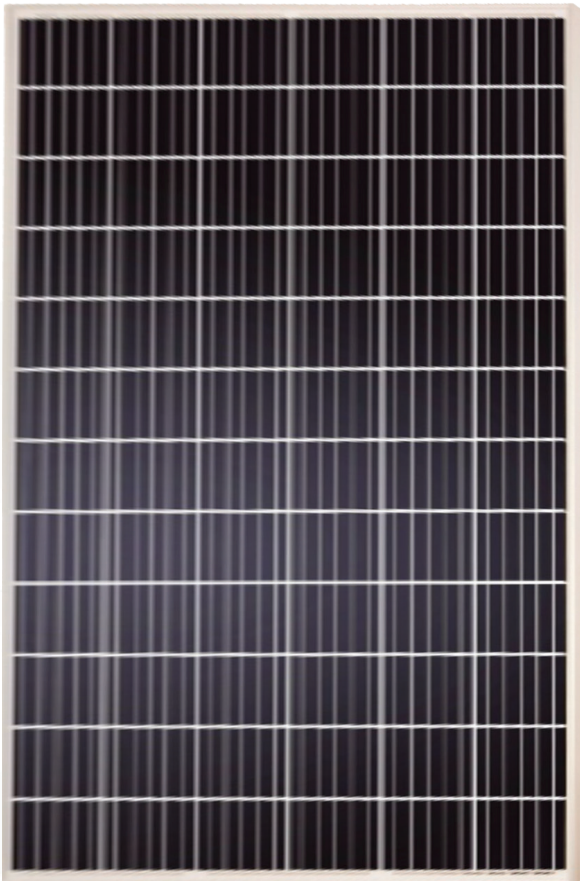
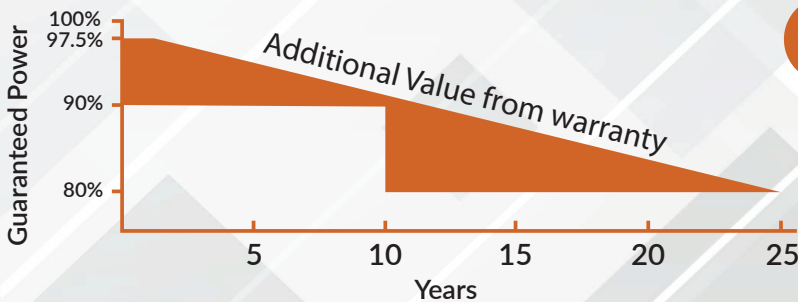


300-340W (5BB) 72 CELLS POLY

"SOLEX" SOLAR PV MODULE



**10 YEARS PRODUCT WARRANTY
25 YEARS POWER WARRANTY**



■ Linear Performance warranty from Solex Energy Limited
■ Standard Performance Warranty



High Module efficiency through superior manufacturing technology



No power loss thanks to improved temperature co-efficient caused by 5 busbar solar cells



Positive Power Tolerance 0+3W



PID Resistant with long term reliability



Strictly control the micro-crack of solar cells and the other non visible defect of internal modules



Module can bear snow loads upto 5400Pa and wind loads upto 2400Pa



Manufactured according to International Quality & Environment Management System



Salt mist, Ammonia and Hail Resistant



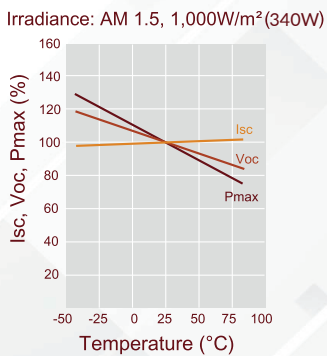
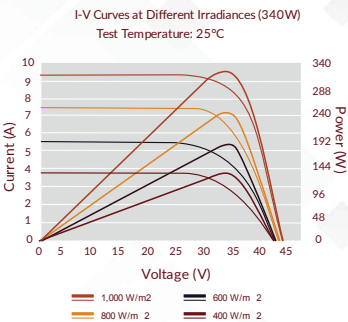
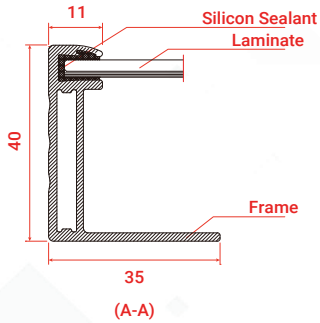
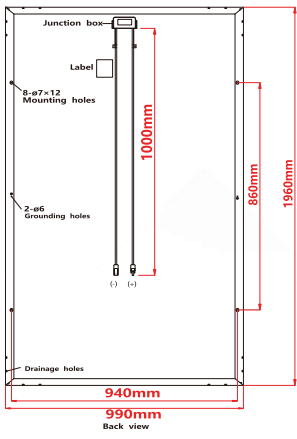
IP 67 rated Mc4 compatible connectors



Using advanced low reflection and high light transmissions glass and cell sheet surface cutting technology, in the weak light environment can also play a good performance



**OUR
CERTIFICATE**



Electrical Characteristics STC*

MODEL NO	SES24300	SES24310	SES24315	SES24320	SES24325	SES24330	SES24340
Maximum Power at STC (Pmax)	300W	310W	315W	320W	325W	330W	340W
Optimum Operating Voltage (Vmp)	36.30V	36.79V	37.00V	37.20V	38.01V	38.88V	33.88V
Optimum Operating Current (Imp)	8.28A	8.40A	8.50A	8.60A	8.61A	8.63A	8.75A
Open Circuit Voltage (Voc)	44.20V	44.75V	45.00V	45.28V	45.94V	46.44V	46.73V
Short Circuit Current (Isc)	8.85A	8.90A	9.10A	9.20A	9.21A	9.23A	9.36A
Module Efficiency	15.44%	15.95%	16.21%	16.47%	16.72%	16.98%	17.49%
Maximum System Voltage	1000V DC	1000V DC	1000V DC	1000V DC	1000V DC	1000V DC	1000V DC
Maximum Series Fuse Rating	15A	15A	15A	15A	15A	15A	15A
Power Tolerance	0W - 3W	0W - 3W	0W - 3W	0W - 3W	0W - 3W	0W - 3W	0W - 3W

*Standard Test Conditions: Irradiance: 1000 W / m² • Cell temperature: 25°C • AM: 1.5 • with cleaned modules

Electrical Data at NOCT*

Power output (Pmax)	225.63W	229.33W	233.03W	236.73W	240.43W	247.83W	255.23W
Maximum Power Voltage (Vmp)	33.72V	34.15V	34.37V	34.56V	34.81V	35.25V	35.69V
Maximum Circuit Voltage (Voc)	6.58A	6.71A	6.77A	6.84A	6.90A	7.08A	7.21A
Open Circuit Voltage (Voc)	42.23V	42.63V	42.81V	43.03V	43.29V	43.55V	43.81V
Short Circuit Current (Isc)	7.23A	7.29A	7.32A	7.36A	7.40A	7.44A	7.50A

*NOCT(Nominal Operating Cell Temperature): Irradiance: 800 W / m² • Ambient temperature: 20°C • AM: 1.5 • Wind speed: 1 m/s

Mechanical Characteristics

Cell Type	Polycrystalling Size 156.75x156.75mm
Number of Cells	72(6x12)
Dimensions	1960x990x40mm
Weight	22kg
Front Cover	Tempered Glass with Anti Reflective Coating
Frame Material	Anodized Aluminium Alloy
Standard Packaiga (Modules per Pallet)	26pcs

Maximum Ratings

Operating Temperature range	-45°C ~+85°C
Maximum system Voltage	1000V
Max series fuse rating	15A
Max front load (e.g.: snow)	5400Pa
Max back load (e.g.: wind)	2400Pa

Temperature Characteristics

Nominal Operating Cell Temperature	45±2°C
Temperature Coefficient of Pmax	-0.42%/°C
Temperature Coefficient of Voc	-0.30%/°C
Temperature Coefficient of Isc	0.06%/°C

Comprehensive Products And System Certificates

IEC 61215 / IEC 61730-1&2 / IEC 62804 / UL 1703

ISO 9001: Quality Management System

ISO 14001: Environmental Management System

ISO14064: Greenhouse gases Emissions Verification

OHSAS 18001: Occupation Health and Safety Management System

REG.OFFICE & WORKS SOLEX ENERGY LIMITED

PLOT NO -131 - A, PHASE - 1, NR.KRIMY BISCUIT, GIDC,
VITHAL UDYOGNAGAR-388121, ANAND, GUJARAT, INDIA.

✉ sales@solex.in | solexin14@gmail.com

☎ +91 269 2230317 📠 +912692231216 🌐 www.solex.in
+91 93772 21443