

For Global Market



Maysun Solar

Polycrystalline PV Module

MS(310-340)P-72 Series

- ▶ High PID resist performance
- ▶ Steady power output
- ▶ Reducing cell series resistance
- ▶ More power output

System voltage 1000V/1500V standard



310	315	320	325	330	335	340
-----	-----	-----	-----	-----	-----	-----

EN

ELECTRICAL SPECIFICATIONS

STC rated output (P _{mpp})*	310 Wp	315 Wp	320 Wp	325 Wp	330 Wp	335 Wp	340 Wp
PV Module size	1956*992*40 MM						
Standard sorted output	0/+5 Wp						
Warranted power output STC (P _{nominal})	310 Wp	315 Wp	320 Wp	325 Wp	330 Wp	335 Wp	340 Wp
Rated voltage (V _{mpp}) at STC	36.75V	36.90V	37.05V	37.20V	37.35V	37.50V	37.65V
Rated current (I _{mpp}) at STC	8.44 A	8.54 A	8.64 A	8.74 A	8.84 A	8.93 A	9.03 A
Open circuit voltage (V _{oc}) at STC	43.37V	43.54V	43.72V	43.90V	44.07V	44.25V	44.43V
Short circuit current (I _{sc}) at STC	8.94 A	9.05 A	9.16 A	9.26 A	9.37 A	9.47 A	9.57 A
Module efficiency	16.0%	16.3%	16.5%	16.8%	17.1%	17.3%	17.5%
Rated output (P _{mpp}) at NOCT	216.5 Wp	220.1 Wp	223.5 Wp	227.1 Wp	230.4 Wp	233.9 Wp	237.3 Wp
Rated voltage (V _{mpp}) at NOCT	33.71 V	33.76 V	33.80 V	33.86 V	33.92 V	33.98 V	34.04 V
Rated current (I _{mpp}) at NOCT	6.42 A	6.52 A	6.61 A	6.71 A	6.79 A	6.88 A	6.97 A
Open circuit voltage (V _{oc}) at NOCT	41.43 V	41.49 V	41.70 V	41.78 V	42.08 V	42.15 V	42.23 V
Short circuit current (I _{sc}) at NOCT	6.90 A	7.01 A	7.15 A	7.26 A	7.37 A	7.47 A	7.57 A

Temperature coefficient (P _{mpp})	-0.376%/K	Maximum system voltage (IEC)	1000V _{dc} / 1500V _{dc}
Temperature coefficient (I _{sc})	+0.043%/K	Number of diodes	3
Temperature coefficient (I _{mpp})	-0.008%/K	Maximum series fuse rating	15 A
Temperature coefficient (V _{mpp})	-0.370%/K		
Temperature coefficient (V _{oc})	-0.282%/K		
Normal operating cell temperature (NOCT)	46±2°C		

* Measurement tolerance +/- 3%



RELATED PARAMETERS

Cell type	Polycrystalline
Number of cells / cell arrangement	72 / 6 x 12
Cells dimension	6"
Packing unit	27 modules
Weight of packing unit (for container)	621 kg / 1369 lbs

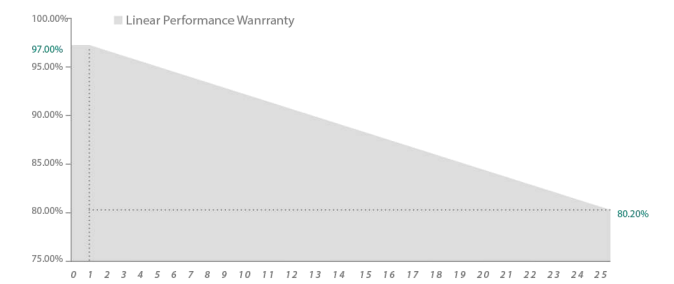
MECHANICAL SPECIFICATIONS

Outer dimensions (L x W x H)	1956 x 992 x 40 mm 77 x 39.06 x 1.57 in
Frame technology	Aluminum, silver anodized
Module composition	Glass / EVA / Backsheet (white)
Weight (module only)	21.8 kg / 48.1 lbs
Front glass thickness	3.2 mm / 0.13 in
Junction box IP rating	IP 67
① Cable length (IEC)	600/900 mm / 23.62/35.43 in
Cable diameter (IEC)	12 AWG / 4 mm ²
② Maximum load capacity	5400 Pa
Fire performance (IEC)	Class C
Connector type (IEC)	MC4 compatible

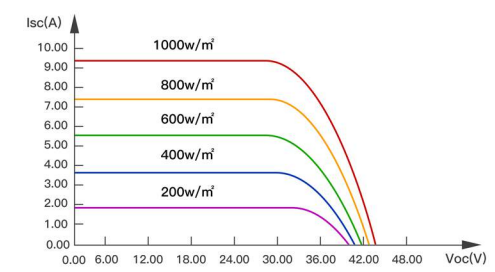
Refer to Maysun Solar crystalline installation manual.

QUALIFICATION AND LINEAR WARRANTIES

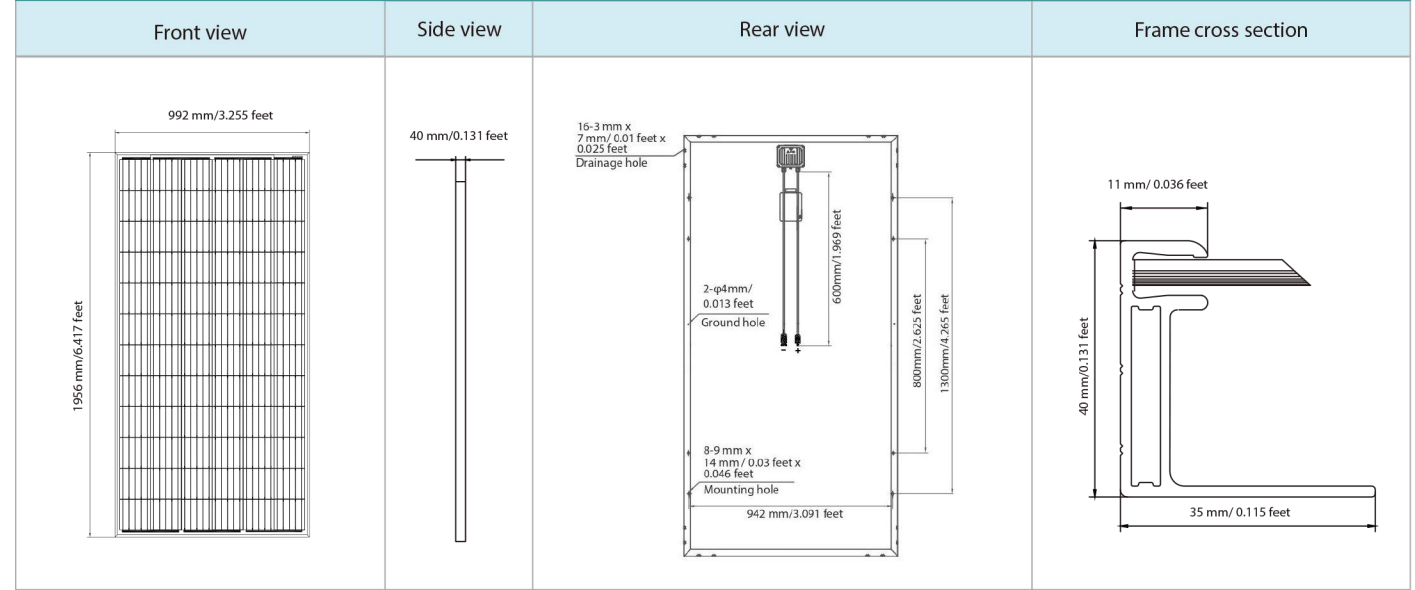
Product standard	IEC61215, 61730
Extended product warranty	12 years
Output decline 3%/year performance P _{mpp} (STC)	1 st year
Output decline 0.7%/year performance P _{mpp} (STC)	2 nd -25 th years



I-V Curves of PV module MS325P-72 at various solar irradiance



MODULE DIMENSION DETAILS



Maysun Solar FZCO Reserves the right of final interpretation. Specifications and designs included in this datasheet are subject to change without notice.

Maysun Solar FZCO
Address: No.FZS2AB01, Jebel Ali, Dubai, UAE
Website: www.maysunsolar.com