

PRODUCT SPECIFICATION

Type Of Module	SY-210WP	SY-215WP	SY-220WP
Maximum Power (W)	210	215	220
Tolerance (%)	± 3%	± 3%	± 3%
Open Circuit Voltage (V)	30.2	30.3	30.4
Short Circuit Current (A)	8.92	9.1	9.28
Maximum Power Voltage (V)	25	25.1	25.2
Maximum Power Current (A)	8.4	8.57	8.73
Module Efficiency (%)	16	16.4	16.8
Solar Cell Efficiency (%)	18	18.5	19
Series Fuse Rating (A)	15	15	15
Terminal Box	IP65	IP65	IP65
Maximum system voltage (V)	DC1000	DC1000	DC1000
Operating Temperature(°C)	-40°C -- 85°C	-40°C -- 85°C	-40°C -- 85°C



PRODUCT FEATURE

- Bypass diode minimizes the power drop by shade.
- The conversion efficiency of solar cell is above 18%.
- White tempered glass ,EVA resin,weather proof film and anodized aluminum frame to provide efficient protection from the severest environmental conditions.
- Waterproof.Perfect for grid applications.
- Product guarantee 10 years.

Quality Assurance

- Electrical Insulation test
- Outdoor exposure test
- Hot-spot endurance test
- UV-exposure
- Thermal cycling test
- Humidity freeze test
- Damp heat Test
- Robustness of terminations test
- Wet leakage current test
- Mechanical load test
- Hail impact test
- Bypass diode thermal test

Electric Performance Typical Performance Characteristics

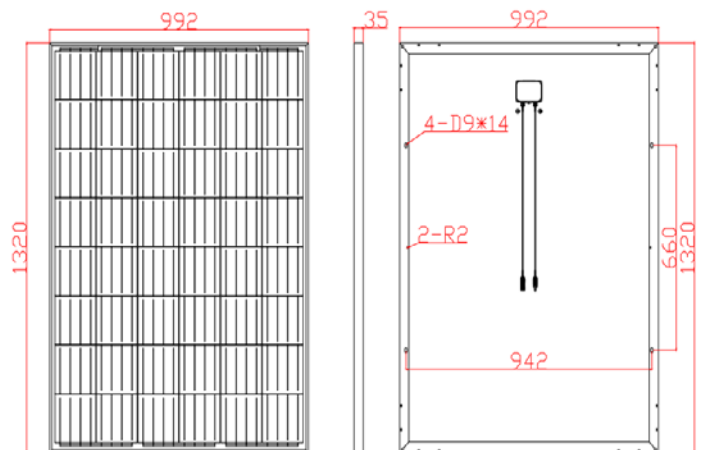
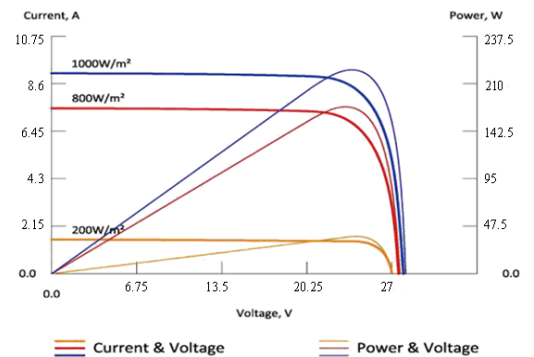
Short Circuit Current Temperature Coefficient	%/°C	0.06
Open Circuit Voltage Temperature Coefficient	%/°C	-0.34
Maximum Power Temperature Coefficient	%/°C	-0.47
Performance Warranty : 90%output , 12 years		
80%output , 25 years		

Physical Specifications

Dimension: 1320*992*35MM
 Weight: 13.4 KG/PCS
 Packing : 2 pcs in one carton

Electrical Characteristics

Current-Voltage & Power-Voltage characteristics various irradiance levels



SHENZHEN SUOYANG NEW ENERGY CO.,LTD.

ADD.: No.5 Building,Juhui Mold Industrial area,Tianliao Road,Guangming New Districte ,Shenzhen ,China

Tel: +86- 755 3369 9192 -8004 Fax: +86-755 3369 9194

Website: www.szsuoyang.com