

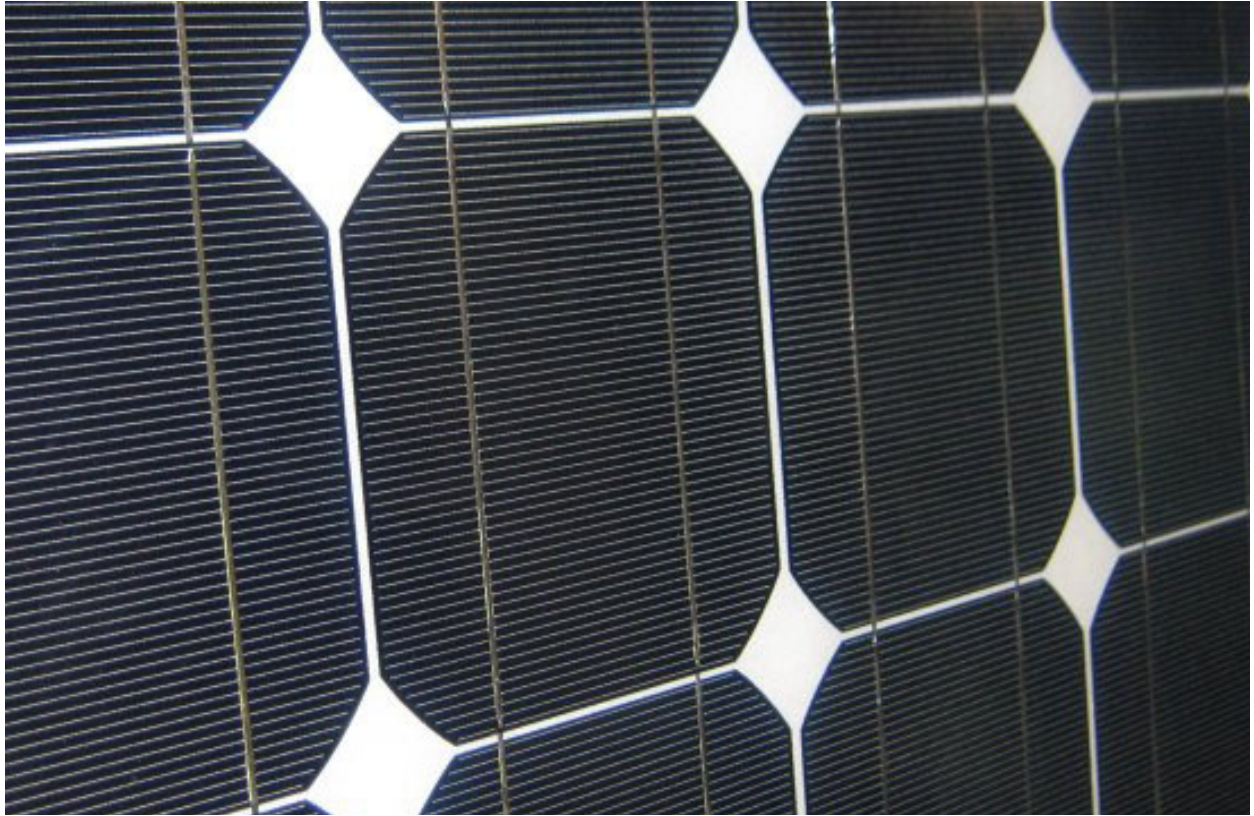
1



200W/12V MONO SOLAR PANEL

PSC MDL-119

PSC SOLAR (UK)



MONO CRYSTALLINE SOLAR PANELS

- ✓ SUPER HIGH-EFFICIENCY
- ✓ CELL EFFICIENCIES OF UP TO 30%
- ✓ HIGH CHARGING CURRENT -9.0A
- ✓ ADVANCED LOWLIGHT TECHNOLOGY
- ✓ HIGH POWER DENSITY $+W/M^2$
- ✓ 12V, 24V AVAILABLE
- ✓ 25YEAR WARRANTY

QUALIFICATIONS & CERTIFICATES

IEC 61215, IEC 61730, CE MCS, ISO 9001:2008, ISO 14001:2004, BS OHSAS 18001:2007, PV Cycle, SA 8000

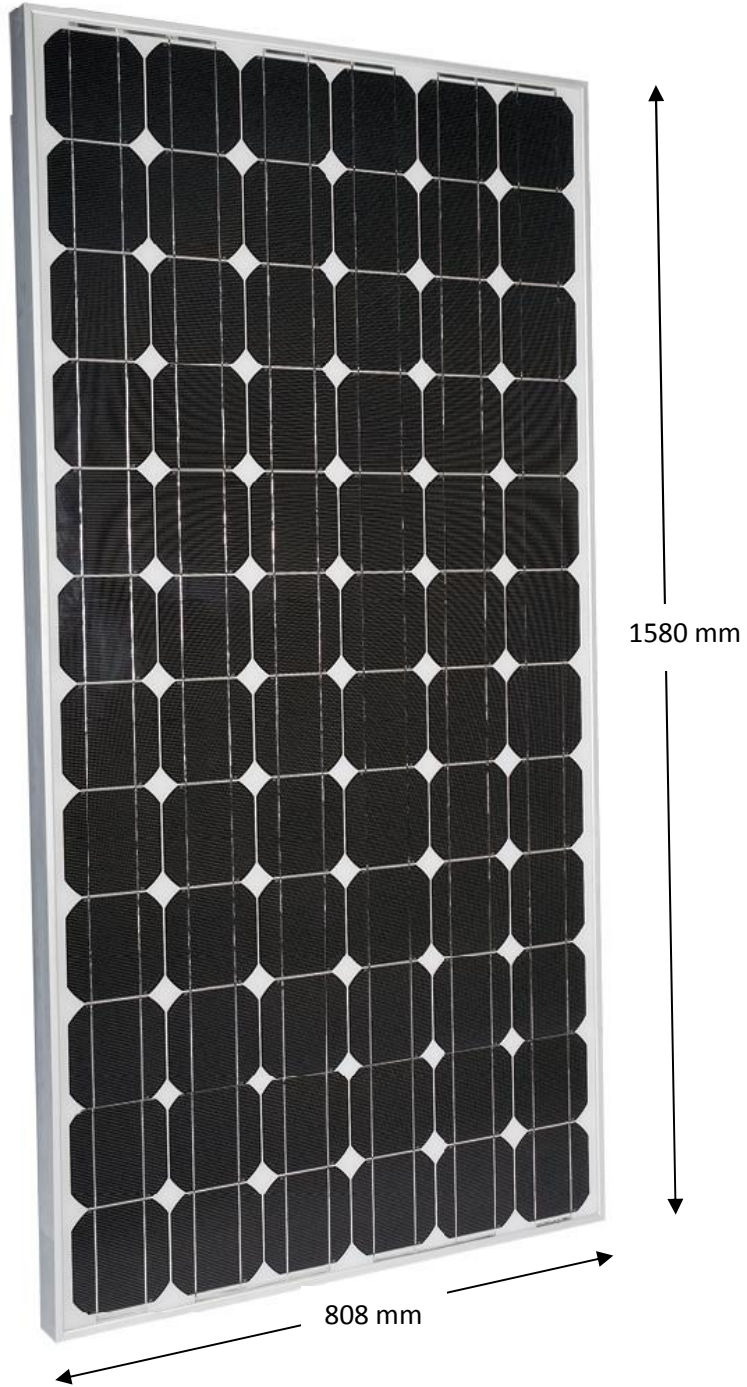


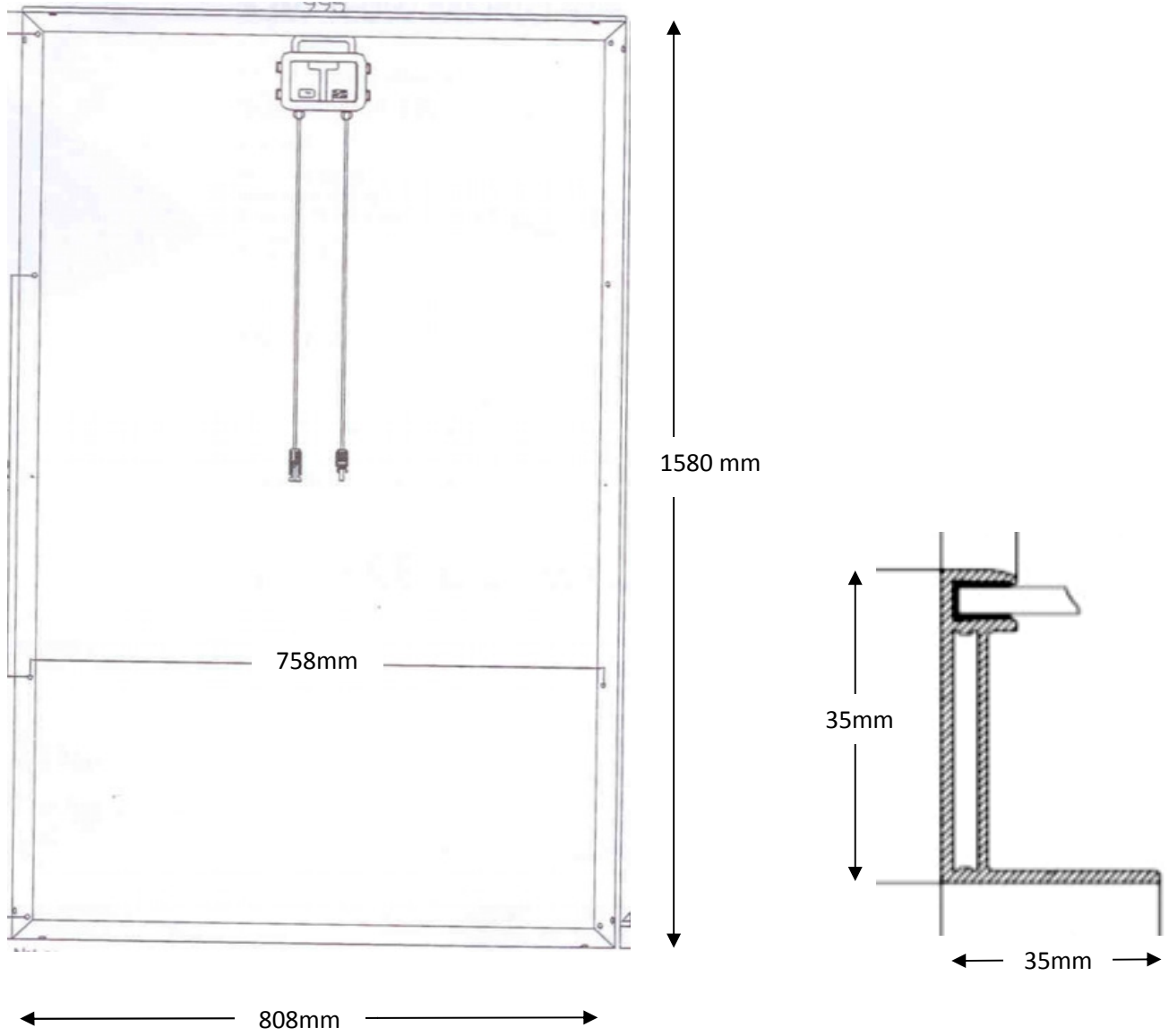
PV Module Performances

(Test Condition: 1000W/m², AM1.5, 25°C)

Silicon Parameter		Type	Super high efficiency 200w /12v PSC MDL-119
Silicon Type			Monocrystalline silicon
Maximum Power	Watt		200w
Production tolerance			±5%(power)
Maximum Power Voltage	V		18.2
Maximum power current	A		9.15
Open circuit voltage	V		21.56
Short circuit current	A		8.29
Cell efficiency	%		26.88
Module efficiency	%		25.65
Size of module (W x H)			1580mm X 808mm
Frame(type, material and thickness)			Anodised Alu. Alloy frame, 35mm thick
Number of cells			60pcs
Size of cell			156mm X 156mm
Weight per piece			18kg
Type of junction box			PV junction box
Cable type and length,			PV cable, 0.9m
Connector type			Plug and socket
Maximum system voltage			1000v
Temperature coefficient of Isc			+3.6mA / °C
Temperature coefficient of Voc			-0.1567V / °C
Temperature coefficient of Pm			-0.5358% / °C
Nominal Operating cell temperature (NOCT)			47°C(±2°C)
Wind Bearing			60m/s(200kg/sq.m)
Impact Resistance Hail Impact Test			227g steel ball fall down from 1m height
Quality guarantee			35years
FF(%)			68% - 72%
Packing			Carton pallet

PSC-MDL-119	SOLAR MODULE	Contract Number	
		Delivery date	





Collins	2014-07-14	Audit	Lihaiyang	2014-07-14
Benning	2014-07-14			