

For Global Market



Maysun Solar

Monocrystalline

PV Module

MS(250-280)M-60 Series

- ▶ High PID resist performance
- ▶ Steady power output
- ▶ Reducing cell series resistance
- ▶ More power output

System voltage 1000V/1500V standard

250	260	265	270	275	280
-----	-----	-----	-----	-----	-----

EN

ELECTRICAL SPECIFICATIONS

STC rated output (P _{mpp})*	250 Wp	260 Wp	265 Wp	270 Wp	275 Wp	280 Wp
PV Module size	1640*992*35 MM					
Standard sorted output	0/+5 Wp					
Warranted power output STC (P _{nominal})	250 Wp	260 Wp	265 Wp	270 Wp	275 Wp	280 Wp
Rated voltage (V _{mpp}) at STC	30.53 V	31.01 V	31.25 V	31.49 V	31.73 V	31.97 V
Rated current (I _{mpp}) at STC	8.19 A	8.38 A	8.48 A	8.57 A	8.67 A	8.76 A
Open circuit voltage (V _{oc}) at STC	36.94 V	37.52 V	37.81 V	38.12 V	38.39 V	38.68 V
Short circuit current (I _{sc}) at STC	8.68 A	8.89 A	8.99 A	9.09 A	9.19 A	9.28 A
Module efficiency	15.4%	16.0%	16.3%	16.5%	16.9%	17.2%
Rated output (P _{mpp}) at NOCT	183.8 Wp	191.1 Wp	194.8 Wp	198.4 Wp	202.1 Wp	205.8 Wp
Rated voltage (V _{mpp}) at NOCT	27.56 V	27.91 V	28.08 V	28.26 V	28.61 V	28.95 V
Rated current (I _{mpp}) at NOCT	6.67 A	6.85 A	6.94 A	7.02 A	7.06 A	7.11 A
Open circuit voltage (V _{oc}) at NOCT	34.45 V	34.92 V	35.11 V	35.36 V	35.76 V	36.02 V
Short circuit current (I _{sc}) at NOCT	7.10 A	7.29 A	7.39 A	7.47 A	7.52 A	7.57 A

Temperature coefficient (P _{mpp})	- 0.380%/K	Maximum system voltage (IEC)	1000V _{dc} / 1500V _{dc}
Temperature coefficient (I _{sc})	+0.042%/K	Number of diodes	3
Temperature coefficient (I _{mpp})	- 0.008%/K	Maximum series fuse rating	15 A
Temperature coefficient (V _{mpp})	- 0.373%/K		
Temperature coefficient (V _{oc})	- 0.284%/K		
Normal operating cell temperature (NOCT)	46±2°C		

* Measurement tolerance +/- 3%



RELATED PARAMETERS

Cell type	Monocrystalline
Number of cells / cell arrangement	60 / 6 x 10
Cells dimension	6"
Packing unit	30 modules
Weight of packing unit (for container)	557 kg / 1228 lbs

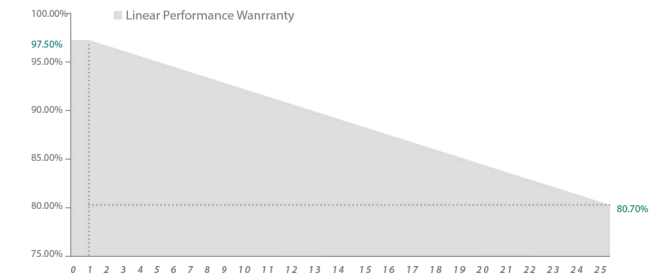
MECHANICAL SPECIFICATIONS

Outer dimensions (L x W x H)	1640 x 992 x 35 mm 64.57 x 39.06 x 1.38 in
Frame technology	Aluminum, silver anodized
Module composition	Glass / EVA / Backsheet (white)
Weight (module only)	18 kg / 39.68 lbs
Front glass thickness	3.2 mm / 0.13 in
Junction box IP rating	IP 65/67
① Cable length (IEC)	600/900 mm / 23.62/35.43 in
Cable diameter (IEC)	12 AWG / 4 mm ²
② Maximum load capacity	5400 Pa
Fire performance (IEC)	Class C
Connector type (IEC)	MC4 compatible

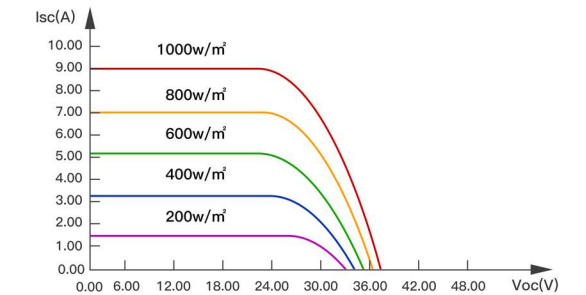
Refer to Maysun Solar crystalline installation manual.

QUALIFICATION AND LINEAR WARRANTIES

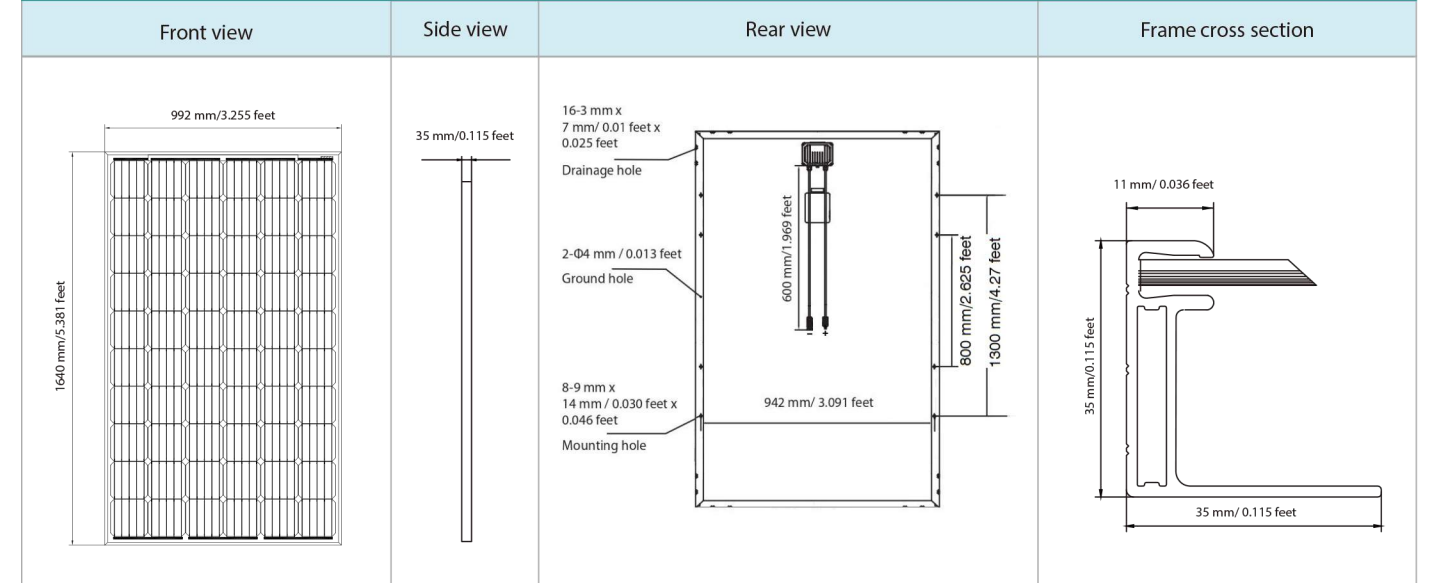
Product standard	IEC61215, 61730
Extended product warranty	12 years
Output decline 3%/year performance P _{mpp} (STC)	1 st year
Output decline 0.7%/year performance P _{mpp} (STC)	2 nd -25 th years



I-V Curves of PV module MS265M-60 at various solar irradiance



MODULE DIMENSION DETAILS



Maysun Solar FZCO Reserves the right of final interpretation. Specifications and designs included in this datasheet are subject to change without notice.

Maysun Solar FZCO
Address: No.FZS2AB01, Jebel Ali, Dubai, UAE
Website: www.maysunsolar.com

Maysun Solar 03-2018