

# SUN2000-17/20KTL Smart String Inverter



## Smart

6 strings intelligent monitoring



## Efficient

Max. efficiency 98.6%



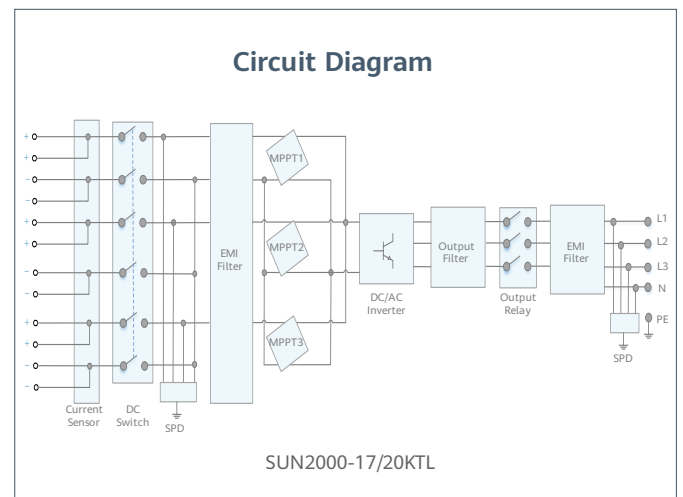
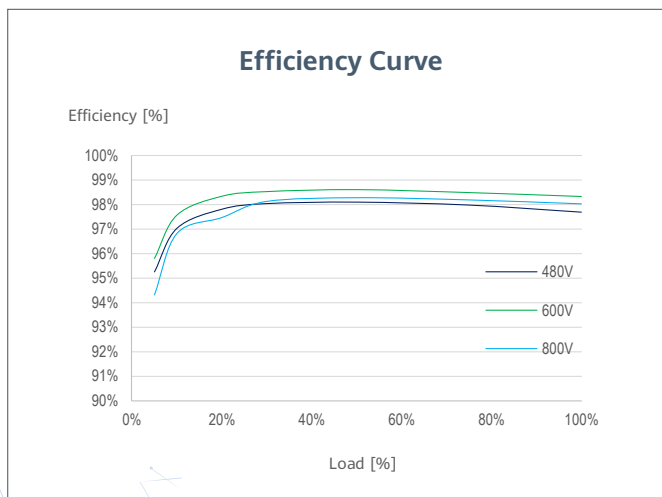
## Safe

Fuse free design



## Reliable

Type II surge arresters for DC & AC



SUN2000-17/20KTL  
**Technical Specification**

Technical Specification	SUN2000-17KTL	SUN2000-20KTL
<b>Efficiency</b>		
Max. efficiency	98.6%	
European efficiency	98.3%	
<b>Input</b>		
Max. Input Voltage	1,000 V	
Max. Current per MPPT	18 A	
Max. Short Circuit Current per MPPT	25 A	
Start Voltage	250 V	
MPPT Operating Voltage Range	200 V~950 V	
Rated Input Voltage	620 V	
Number of Inputs	6	
Number of MPP Trackers	3	
<b>Output</b>		
Rated AC Active Power	17,000 W	20,000 W
Max. AC Apparent Power	18,700 VA	22,000 VA
Max. AC Active Power (cosφ=1)	18,700 W	22,000 W
Rated Output Voltage	220 V / 380 V, 230 V / 400 V, 3W + N + PE	
Rated AC Grid Frequency	50 Hz / 60 Hz	
Rated Output Current	25.8 A @380 V, 24.7 A @400 V	30.4 A @380 V, 29 A @400 V
Max. Output Current	28.5 A	33.5 A
Adjustable Power Factor Range	0.8 leading... 0.8 lagging	
Max. Total Harmonic Distortion	< 3%	
<b>Protection</b>		
Input-side Disconnection Device	Yes	
Anti-islanding Protection	Yes	
AC Overcurrent Protection	Yes	
DC Reverse-polarity Protection	Yes	
PV-array String Fault Monitoring	Yes	
DC Surge Arrester	Type II	
AC Surge Arrester	Type II	
DC Insulation Resistance Detection	Yes	
Residual Current Monitoring Unit	Yes	
<b>Communication</b>		
Display	Graphic LCD	
RS485	Yes	
USB	Yes	
<b>General Data</b>		
Dimensions (W x H x D)	520 x 610 x 266 mm (20.5 x 24.0 x 10.5 inch)	
Weight (with mounting plate)	50 kg (110.2 lb.)	
Operating Temperature Range	-25°C ~ 60°C (-13°F ~ 140°F)	
Cooling Method	Natural Convection	
Max. Operating Altitude	3,000 m (9,842 ft.)	
Relative Humidity	0 ~ 100%	
DC Connector	Amphenol Helios H4	
AC Connector	Amphenol C16 / 3	
Protection Degree	IP65	
Topology	Transformerless	
<b>Standard Compliance (more available upon request)</b>		
Safety	EN 62109-1/-2, IEC 62109-1/-2	
Grid Connection Standards	ABNT, IEC 61727, IEC 62116, IEC 61683, IEC 60068, NB/T 32004-2013, VDE-AR-N-4105, VDE 0126-1-1, BDEW, G59/3, UTE C 15-712-1, CEI 0-16, CEI 0-21, C10/11, EN 50438-Netherlands, EN 50438-Ireland, EN 50438-Turkey, RD 1699, AS 4777, PEA (Only20KTL), MEA (Only 20KTL), DEWA, NRS 097-2-1	