

SA|Eng.

Soluzioni per l'Ambiente



SA2 - 500

TWO SHAFTS SHREDDER



High torque machine with low speed shafts

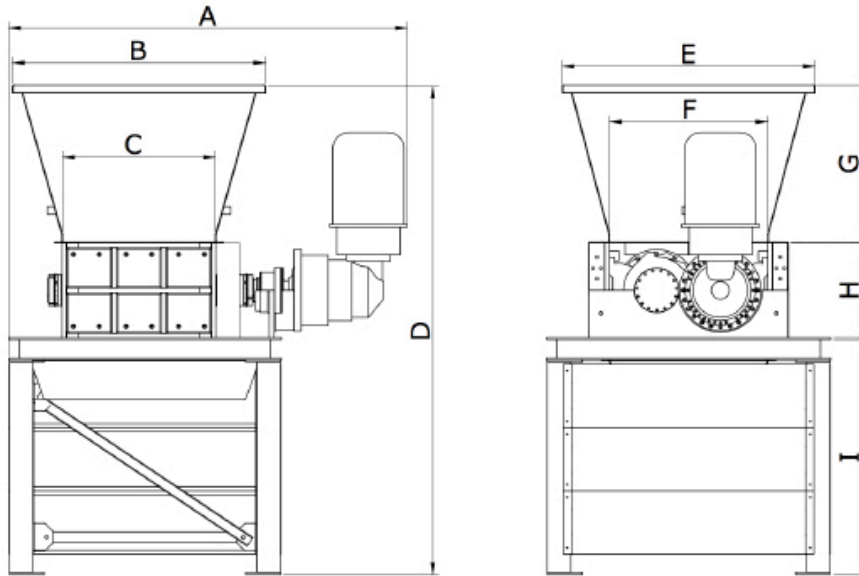
- Shredding chamber size 500 x 580 mm
- Electric motor installed directly into the transmission system
- Low maintenance version with fast removal system of shafts and blades
 - Blades thickness 30 mm
- Blades available on different material variable from the shredded wastes

***Ideal for the treatment of:
Plastics - Wood - Organic wastes***



SA2 - 500

TWO SHAFTS SHREDDER



Dimensioni	
A:	1240
B:	750
C:	500
D:	1865
E:	800
F:	580
G:	700
H:	365
I:	800



Visit our website

You're welcome !!
Come to visit us



TECHNICAL DETAILS:

• Shredding chamber		
- Chamber size	mm	500 x 580 x 365
- Number of shafts	n.	2
- Shafts speed	rpm	12/15
- Number of blades	n.	19
- Blades thickness	mm	30
- Kind of blades		with 4 hooks
- Gearboxes	n.	1
- Trasmission system		Direct
• Drive system		
- Electric motor	n.	1
- Installed power	kW	7,5 (11)
	HP	10 (15)
- Voltage	V	400
- Control system		by PLC
• Machine weight		
	Kg	530 ca.

Technical characteristics can be change without notice