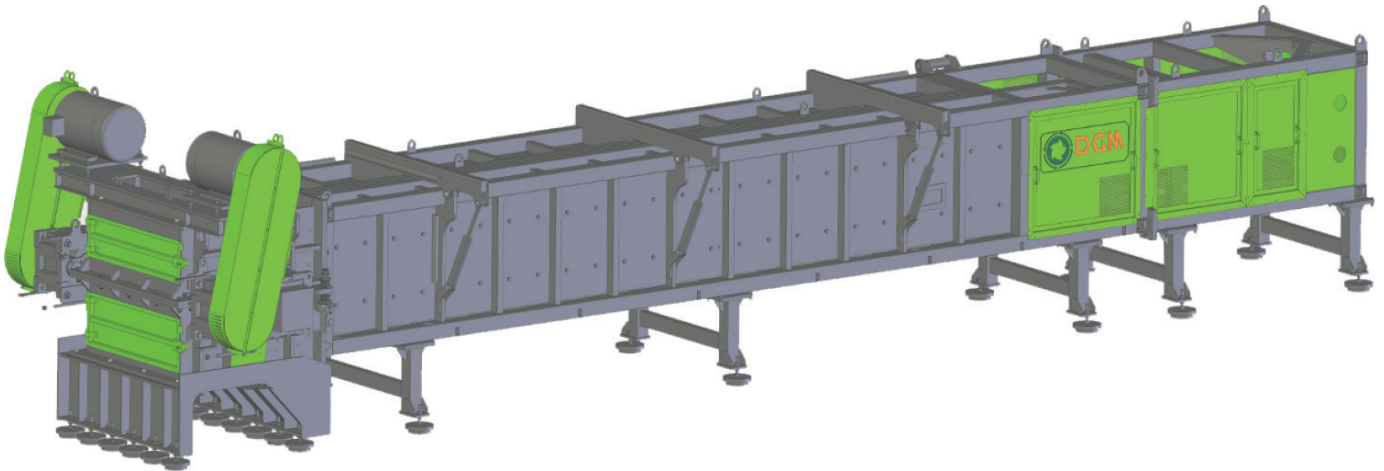


# DGR LARGE DIMETER PIPE SHREDDER

DGA/DGS/DGX/DGR/DGD/DGC/DGE/DGH/DGP/DPM



## KEY FEATURES >

- Large diameter flat rotor
- Specially designed feeding trough
- Machined pocket knife holders
- Optional hard facing
- Concave ground square knives
- Robust ram construction
- Universal couplings
- Low speed, high torque geared drive
- Powerful horizontal hydraulic ram
- Bolt in drive shafts
- Multiple rotor designs
- Two speed hydraulic system
- Oil cooling on ram and gearbox
- Amp meter control

## OPTIONS >

- Wedge for thin walled products
- Gearbox with shrink disc
- Rotor cooling
- Touch screen PLC
- Increased motor drive
- Hydraulic drive
- Bespoke colour scheme
- Turbo hydraulics
- Housing wear plates
- Metal detector
- Horizontal discharge with overband magnet

## GENERAL DESCRIPTION >

The DGR Large Diameter Pipe Shredder is specially designed for handling large diameter pipes (up to 1200mm diameter) without any need for precutting. The DGR rotor diameters range from 800mm to 1500mm and the standard hopper can accept lengths up to 6m. The concave ground, aggressive 4-way rotating knives are mounted in the grooves of the profiled rotor with special knife holders. The DGR shredder range can also be used to shred bundles of small diameter pipes and profiles, lumps, stacked wheelie bins, buckets & pallets, etc.

The hydraulically operated ram feeds the material horizontally in the rotor's cutting chamber by load-related controls. The hydraulic system is equipped with high-pressure valves and volumetric flow controls which can be set according to the requirements of the input material.

Extremely robust pedestal bearing housings are mounted outside the machine and separate to the cutting chamber to prevent dust and dirt penetrating into the oversized bearings. This ensures a long service life and minimum service and maintenance.

Power is transmitted from the motor by a drive belt via an oversized gearbox which is located on the shaft end on one end of the rotor.

A safety switch prevents machine startup when the front panel is open and the machine features emergency stop buttons on the machine body and control panel.

## APPLICATIONS >

DPM High Speed Precision Pulverizers have been designed with a range of applications and industries in mind such as:  
**PLASTICS (Predominantly PVC regrind) / ROTOMOLDED PE / OTHER FRIABLE MATERIALS**



Factory address: No.1.Fengqi Road, Yangqiao Town, Huishan District, Wuxi City, Jiangsu Province, China  
HQ Office Address: No.288, Luouo Road, Luoshe Town, Huishan District, Wuxi City, Jiangsu Province, China  
T. +86-510-8357 2002 F. +86-510-8357 0210 E. info@dgm-machinery.com  
[en.dgm-machinery.com](http://en.dgm-machinery.com)

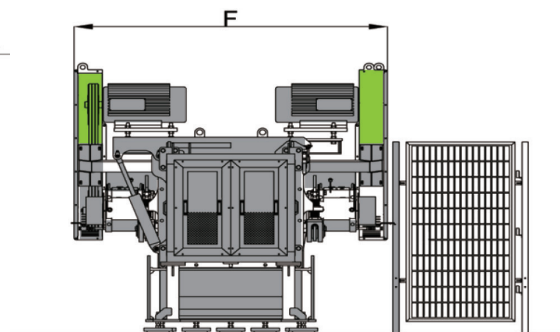
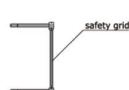
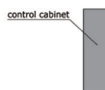
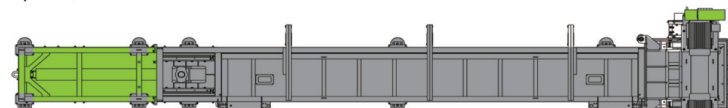
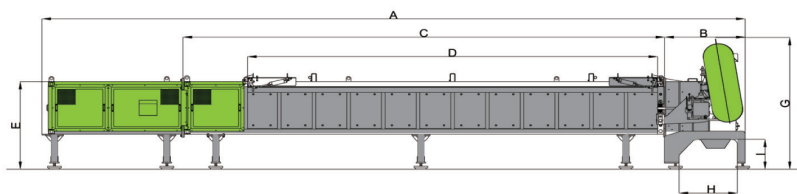
# DGR LARGE DIMETER PIPE SHREDDER

DGA/DGS/DGX/DGR/DGD/DGC/DGE/DGH/DGP/DPM



## SPECIFICATION >

ITEM	UNIT	800	1000	1500	
Cutting chamber	mm	3870 x 700	6700 x 870	6700 x 1300	
Rotor diameter	mm	800	980	1430	
Rotor speed	rpm	40	36	23	
Main motor power	kw	2 x 37	2 x 45	2 x 55	
Rotor knives	pcs	60	108	204	
Stator knives	rows	3	4	5	
Hydraulic ram power	kW	11	15	15	
Machine weight	kg	11000	20000	25000	
Effective working area	mm	3500 x 630	6000 x 800	6000 x 1000	
Dimensions	A	mm	7700	11900	12200
	B	mm	1420	1540	1800
	C	mm	5060	8100	8100
	D	mm	38600	6700	6700
	E	mm	1730	1840	2320
	F	mm	2550	2970	3360
	G	mm	2570	2660	3150
	H	mm	975	1070	1070
	I	mm	590	590	590



Factory address: No.1.Fengqi Road, Yangqiao Town, Huishan District , Wuxi City, Jiangsu Province, China  
 HQ Office Address: No.288, Luouu Road, Luoshe Town, Huishan District, Wuxi City, Jiangsu Province, China  
 T. +86-510-8357 2002 F. +86-510-8357 0210 E. info@dgm-machinery.com  
[en.dgm-machinery.com](http://en.dgm-machinery.com)