



Shredder Models:

HF-4230SR
HF-4236SR

Common Applications:

Plastic Recycling
Plastic Purgings
Plastic Reclaim

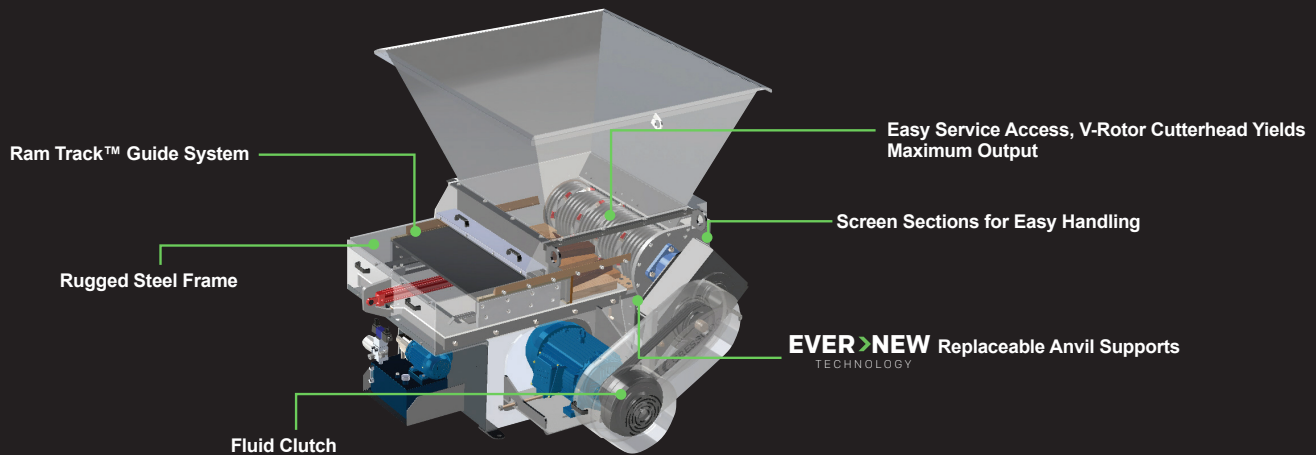


HARDWORKING AMERICAN-MADE MACHINERY

EVER > NEW
TECHNOLOGY

Cresswood's exclusive Ever New Technology allows for replacement of all key wear items to bring your machine back to like-new standards.

The HF-4230SR and HF-4236SR make up the family of hopper-fed "Dump and Go" plastic shredders designed to size-reduce mixed plastics for plastic recycling, plastic purgings, and plastic material in a manufacturing application. Adding a single-shaft shredder to your business will increase the output of your granulator by pre-shredding your material into a uniform product size, and will reduce your operating cost by requiring a smaller, lower horsepower, granulator to handle your workload.



Specifications

| Specifications | HF-4230SR | HF-4236SR |
|-------------------------|-----------------|-----------------|
| Motor HP | 25, 30 | 30, 40 |
| Cutting Chamber | 30" × 39" | 36" × 45" |
| Ram Stroke | 25" | 30" |
| Rotor Diameter | 10" | 10" |
| Grinding Head Speed | 50-150 rpm | 50-150 rpm |
| Frame Thickness | 5/8" | 3/4" |
| Number of Cutter Teeth | 36 | 42 |
| Shaft Diameter | 4" | 4" |
| Mid-Range Hopper Volume | 1.5 Cubic Yards | 2.5 Cubic Yards |
| Floor Area of Unit | 66" × 89" | 71" × 107" |
| Shipping Weight | 4,200 lbs. | 5,700 lbs. |

* Specifications are subject to change

** The output of these machines can be optimized for your application by selecting different screens, amount of cutter teeth, cutter teeth placement, and rotor selection.

