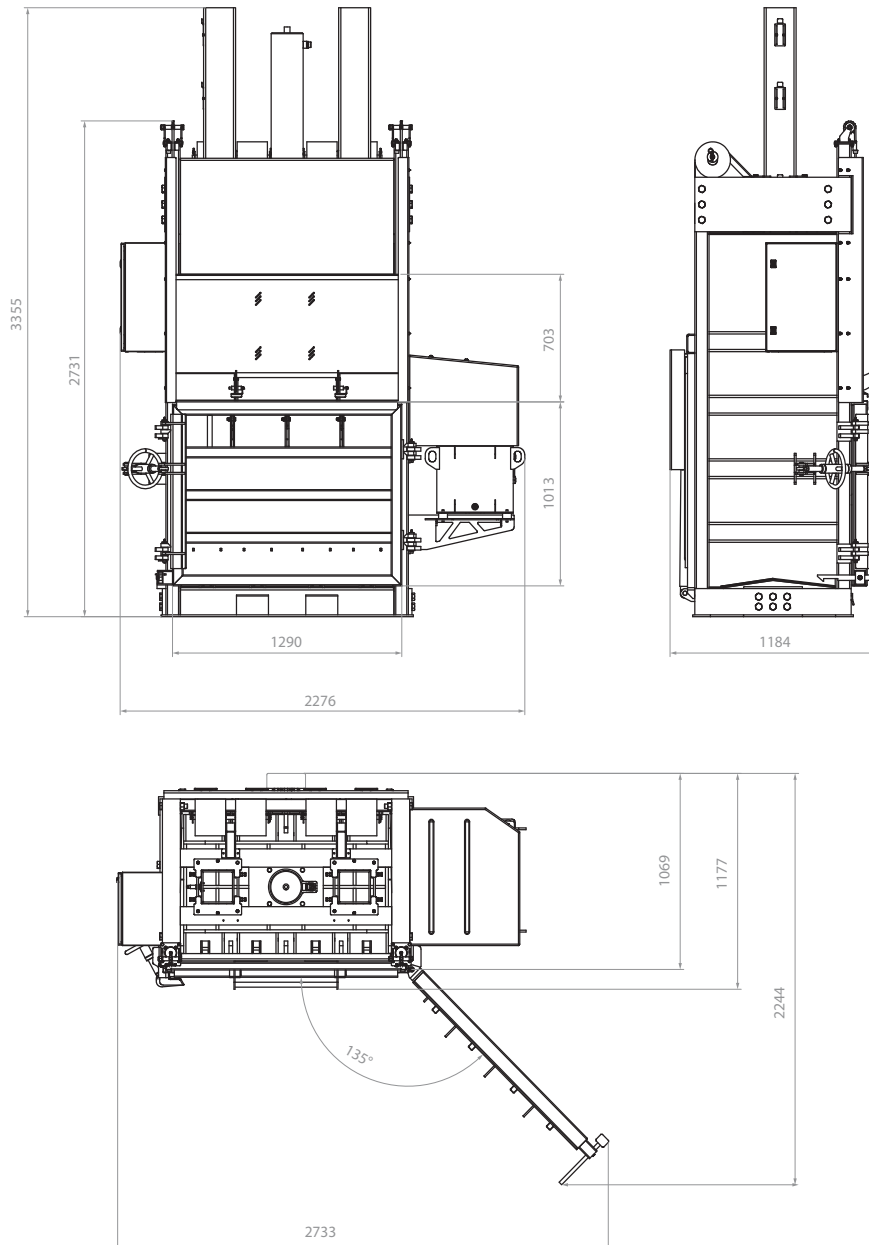




Single-chamber baling press

RIKO RTV 50



RIKO RECYCLING TECHNOLOGY

Lviv, D. Apostola street, 8 / +38 097 460 64 24, +38 032 290 21 79
info@rikobaler.com / www.rikobaler.com

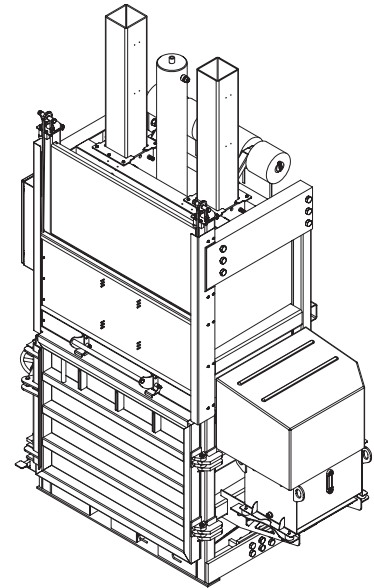
more details
about the press





Single-chamber baling press

RIKO RTV 50



Specifications

Power supply:	380 V / 50 Hz
Electrical Power:	5,5 kW
Protection class:	IP54
Pressing force:	50 tons
Press stroke:	890 mm
Weight of the machine:	2370 kg
Dimensions (L x W x H): Transport dimensions (L x W x H):	2276 x 1177 x 3355 mm 2276 x 1177 x 2850 mm
Filling opening (W x H):	1180 x 550 mm
Cycle Time:	37 sec
Bale weight *:	up to 550 kg
Bale size in the chamber (L x W x H)*:	1200 x 750 x 1000 mm
Bale tying:	strapping with four twines
Bale eject:	hydraulic platform

* The bale size and bale weights are approximate dimension and depending on the material. The information refers to cardboard packaging (quality 1.02 and 1.04). Information about other materials on request.

We reserve the right to make dimensional and design changes!

RIKO RECYCLING TECHNOLOGY

Lviv, D. Apostola street, 8 / +38 097 460 64 24, +38 032 290 21 79
info@rikobaler.com / www.rikobaler.com

more details
about the press >

