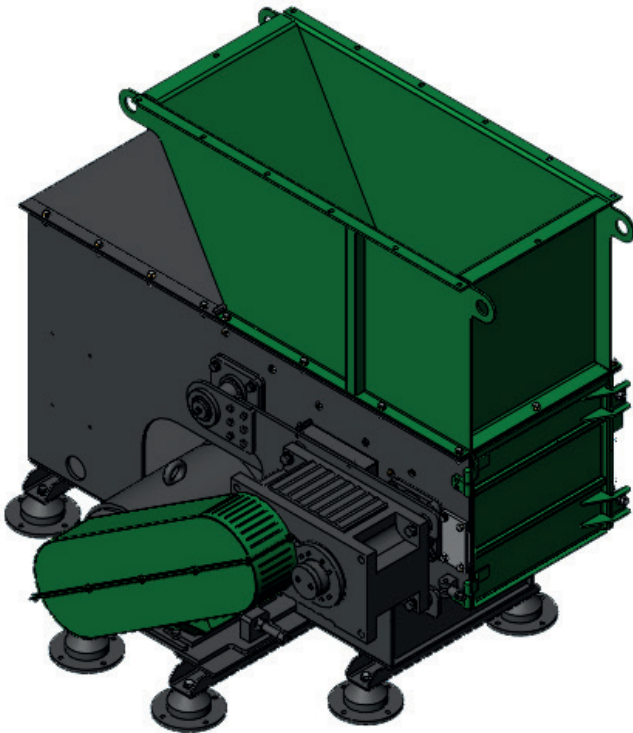


DGA COMPACT SINGLE SHAFT SHREDDER

DGA/DGS/DGX/DGR/DGD/DGC/DGE/DGH/DGP/DPM



KEY FEATURES >

- Flat rotor
- Machined pocket knife holders
- Optional hard facing
- Concave ground square knives
- Robust ram construction
- Heavy duty guide bearings
- Universal couplings
- Low speed, high torque geared drive
- Powerful hydraulic horizontal ram
- Bolt in drive shafts
- Multiple rotor designs
- Two speed hydraulic system
- Oil cooling on ram and gearbox
- Ram comb plate
- Amp meter control

OPTIONS >

- Hydraulic screen cradle
- Gearbox with shrink disc
- Rotor cooling
- Pipe spacer
- Touch screen PLC
- Hopper mounted viewing mirror
- Increased motor drive
- Hydraulic drive
- Bespoke colour scheme
- Gearbox with shrink disc
- Turbo hydraulics
- Housing wear plate
- Sound absorbing hopper

GENERAL DESCRIPTION >

The DGA Compact Single Shaft Shredder has a 251mm diameter profiled rotor made of solid steel, operating at a speed of 11.6-12.9rpm. The concave ground, aggressive 4-way rotating knives are mounted in the grooves of the profiled rotor with special knife holders. This enables a reduction of the cutting gap between the counter knives and the rotor which guarantees a high flow rate, low power consumption and maximum output of shredded material.

The hydraulically operated ram feeds the material automatically in the rotor's cutting chamber by load-related controls. The hydraulic system is equipped with high-pressure valves and volumetric flow controls which can be set according to the requirements of the input material.

Extremely robust pedestal bearing housings are mounted outside the machine and separate to the cutting chamber to prevent dust and dirt penetrating into the oversized bearings. This ensures a long service life and minimum service and maintenance.

Power is transmitted from the motor by a drive belt via an oversized gearbox which is located on the shaft end on one end of the rotor.

A safety switch prevents machine startup when the front panel is open and the machine features emergency stop buttons on the machine body and control panel.

APPLICATIONS >

DGA Compact Single Shaft Shredders have been designed with a wide range of applications and industries in mind such as: **PLASTICS / RUBBER / WOOD / BIOMASS / PAPER / ALTERNATIVE FUELS (RDF/SRF) / DOMESTIC & COMMERCIAL WASTE**



Factory address: No.1.Fengqi Road, Yangqiao Town, Huishan District, Wuxi City, Jiangsu Province, China
HQ Office Address: No.288, Luouo Road, Luoshe Town, Huishan District, Wuxi City, Jiangsu Province, China
T. +86-510-8357 2002 F. +86-510-8357 0210 E. info@dgm-machinery.com
en.dgm-machinery.com

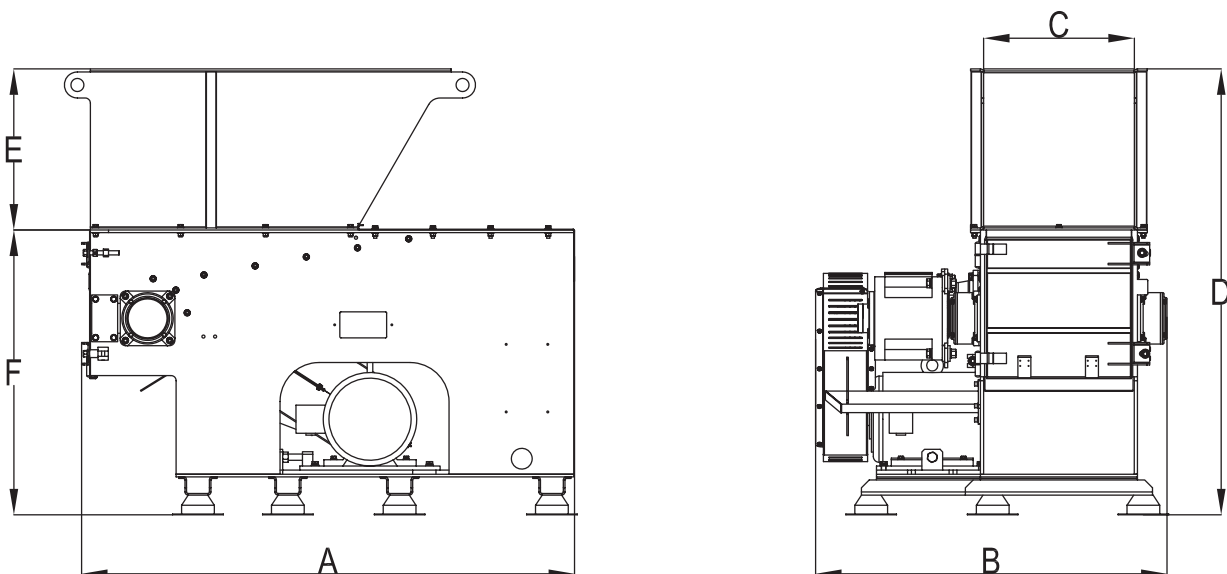
DGA COMPACT SINGLE SHAFT SHREDDER

DGA/DGS/DGX/DGR/DGD/DGC/DGE/DGH/DGP/DPM



SPECIFICATION >

ITEM	UNIT	DGA850	
Feeding size	mm	580 x 900	
Rotor diameter	mm	251	
Rotor speed	rpm	90	
Main motor power	kw	18.5-22	
Rotor knives	pcs	13	
Screen size	mm	15-100	
Machine dimensions	mm	1894 x 1348 x 1723	
Dimensions	A	mm	1894
	B	mm	1348
	C	mm	580
	D	mm	1723
	E	mm	1020
	F	mm	620



Factory address: No.1.Fengqi Road, Yangqiao Town, Huishan District , Wuxi City, Jiangsu Province, China
 HQ Office Address: No.288, Luouo Road, Luoshe Town, Huishan District, Wuxi City, Jiangsu Province, China
 T. +86-510-8357 2002 F. +86-510-8357 0210 E. info@dgm-machinery.com
en.dgm-machinery.com