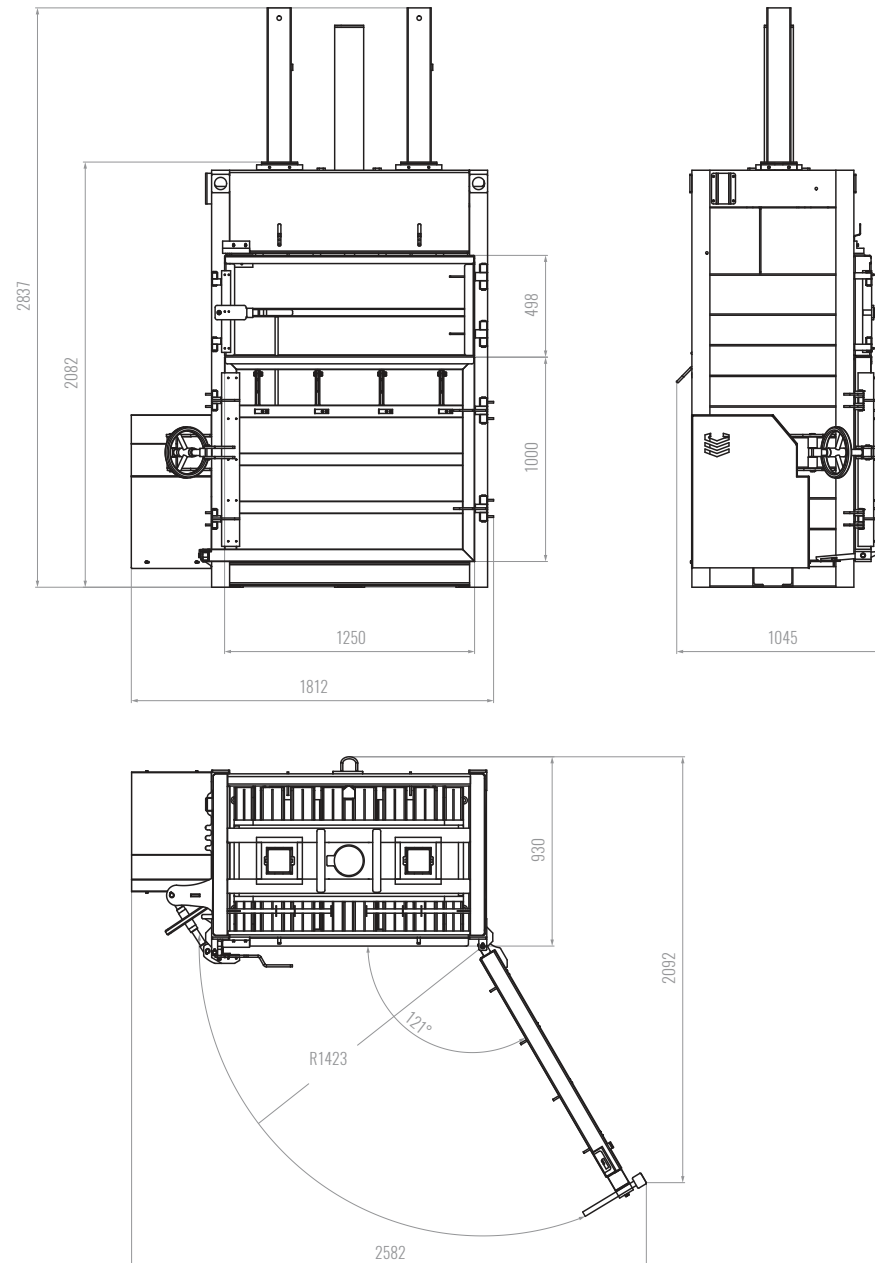




# Single-chamber baling press

## RIKO RTV 25



**RIKO RECYCLING TECHNOLOGY**

Lviv, D. Apostola street, 8 / +38 097 460 64 24, +38 032 290 21 79  
info@rikobaler.com / www.rikobaler.com

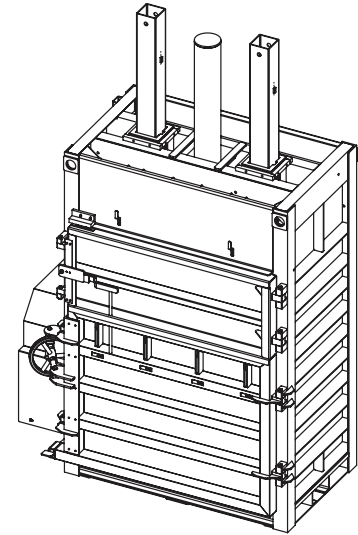
more details  
about the press >





# Single-chamber baling press

## RIKO RTV 25



### Specifications

Power supply:	380 V / 50 Hz
Electrical Power:	4 kW
Protection class:	IP54
Pressing force:	25 tons
Press stroke:	750 mm
Weight of the machine:	1450 kg
Dimensions / Transport dimensions (L x W x H):	1812 x 1045 x 2837 mm 1812 x 1045 x 2380 mm
Filling opening (W x H):	1200 x 500 mm
Cycle Time:	40 sec
Bale weight *:	up to 400 kg
Bale size in the chamber (L x W x H)*:	1200 x 750 x 1000 mm
Noise level:	up to 80 dB
Bale tying:	strapping with four twines
Bale eject:	integrated plate

\* The bale size and bale weights are approximate dimension and depending on the material. The information refers to cardboard packaging (quality 1.02 and 1.04).  
Information about other materials on request.  
We reserve the right to make dimensional and design changes!

#### RIKO RECYCLING TECHNOLOGY

Lviv, D. Apostola street, 8 / +38 097 460 64 24, +38 032 290 21 79  
info@rikobaler.com / www.rikobaler.com

more details  
about the press >

