

# SGS 200-L / SGS 300-L / SGS 400-L

## Strandpelletizers



The SCHEER Series Pelletizer was developed and engineered for the production of thermo-plastic pellets. Its compact design, anti-flyback cutting chamber and precision machine components are just a few of the reasons that make the SCHEER Pelletizer a unique combination of economical operation, long service life, at the highest quality and throughput.

### Advantages

- Short change-over time
- Easy handling
- High machine availability
- Favourable alternative compared with a spare cutter

# SGS 200-L / SGS 300-L / SGS 400-L

Strandpelletizers Series SGS

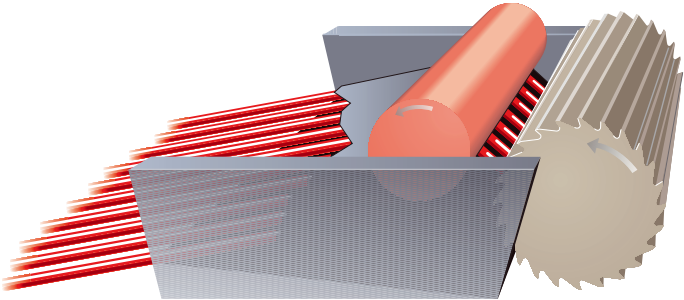
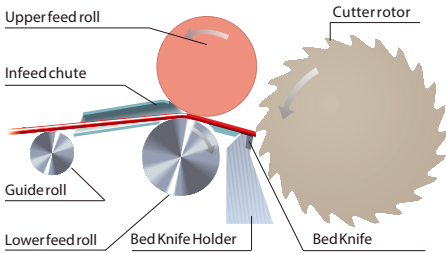
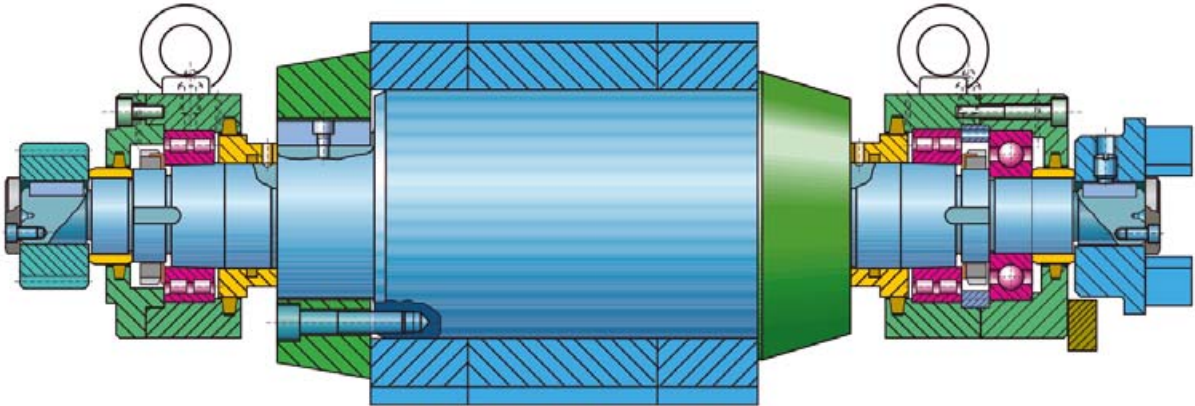
### Compact Design

The SGS series Strand Pelletizer has a very effective Sound Damping System that is included as standard equipment. With the Cutting chamber isolated from all other components noise levels from 75 to 85 dBA are guaranteed depending on the product and type of operation.



The Rotor is a replaceable segment, milling type helical design. Rotors are available in a variety of materials. Tool steels, stellite tipped, and contamination-free, carbide tipped specific designs are dependent on the cutting application.

The Strand infeed assembly consists of the infeed table and upper and lower feed rolls. They are designed to ensure positive strand control. The serrated lower feed roll is driven via a change gear from the main rotor drive. The upper feed roll is a stainless core with elastic covering. The design and the feed roll orientation provide for excellent pulling force on the strands without having to drive the upper feed roll. And the elastic covering is forgiving enough to accommodate any discrepancy in strand diameter reducing the problem of dropped strands.



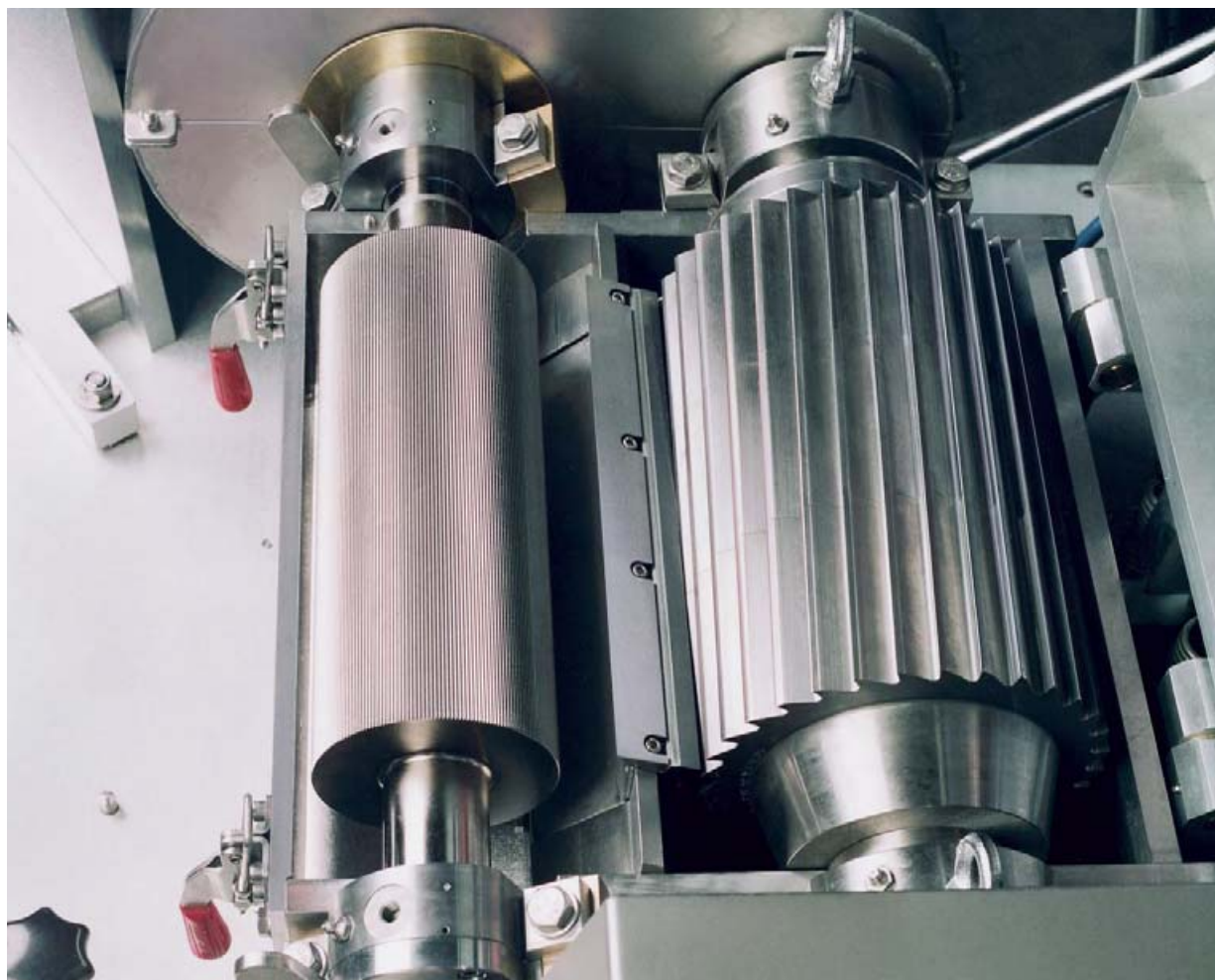
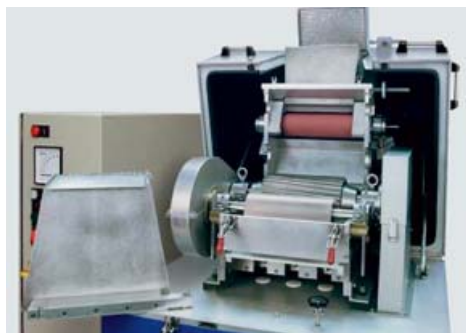
# SGS 200-L / SGS 300-L / SGS 400-L

Strandpelletizers Series SGS

## Maintenance Service without any Problems

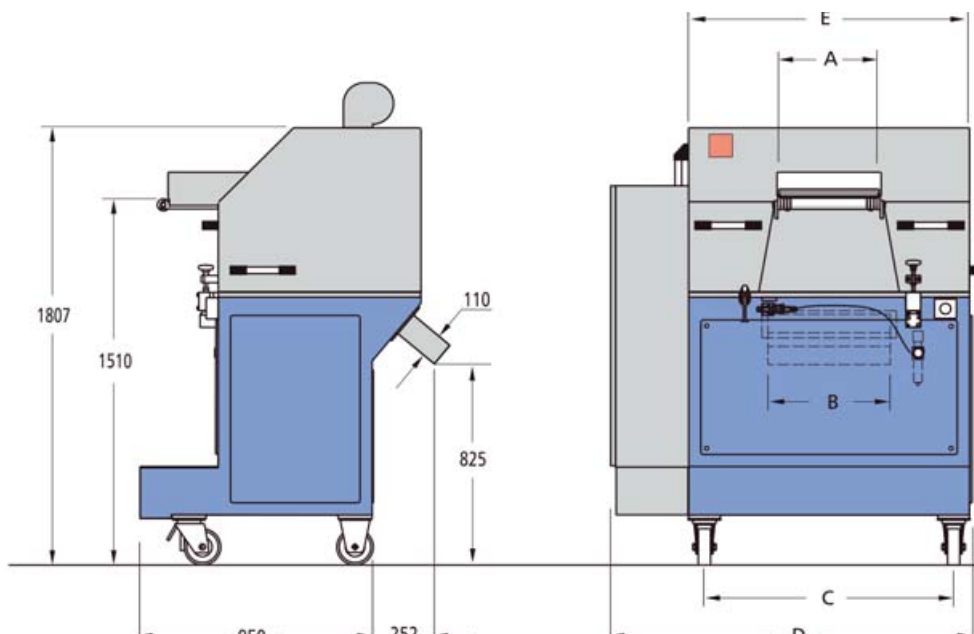
Because the rigors of product change over are involved enough, you don't need another labor intensive piece of equipment taking up your valuable time.

The unique and patented swing away lower feed roll design enables you to reduce down time between product changes and it's easy with no tools required.



# SGS 200-L / SGS 300-L / SGS 400-L

Specification and technical data (Engineering and accessories upon request)



## Technical Data:

Pelletizer Type		SGS 200-L	SGS 300-L	SGS 400-L
<b>Working width:</b>	mm	200	300	400
<b>Strand speed<sup>1</sup>:</b>	m/min	30-120	30-120	30-120
<b>max. No. of Strands<sup>2</sup>:</b>	ca.	40	60	80
<b>Power:</b>	kW	11	15	18,5
<b>Type of Drive:</b>	Inverter			
Product	Spec. Gravity (g/cm <sup>3</sup> )	Throughput kg/h Pellet Dimensions (mm), Ø 3 x 3 long		
PP, PE	0,90	1715	2575	3435
PA 11, P 12	1,0	1905	2860	3815
PMMA, GPPS, SAN, ASA	1,05	2000	3005	4005
HIPS, ABS	1,05	2000	3005	4005
PA6 n.e (dia 2,5 x 2,5 mm long)	1,10	1515 52 Strands	2270 78 Strands	3030 104 Strands
PUR	1,10	2095	3145	4195
PA6.6	1,15	1970	2960	3725
PET, PBT, PC	1,20	2060	3090	3890
PET, PBT, PC, PA6.6, PA6 +15 - 50 & GF	1,30	1980	2790	3470
Dimensions				
A	mm	190	290	390
B	mm	206	422	450
C	mm	840	940	1040
D	mm	1260	1360	1460
E	mm	950	1050	1150

<sup>1</sup> Different strand speeds upon request    <sup>2</sup> Strand dia 3,0 mm; strand speed~70 m/min., Spec. gravity= 1