

CM HYBRID SHREDDERS

The Most Versatile Shredders in the Industry



- Low Speed
- Low Wear
- Low Noise
- Low Dust
- Low Heat
- Low Vibration
- High Torque
- High Precision

ADVANTAGES OF THE CM SHREDDER

Fueling technology with innovation for today and beyond. CM Shredders has long been at the forefront of game-changing innovations. CM shredders utilize cutting-edge, patented knife technology to become the most durable, reliable and advanced shredders in the recycling systems industry.

FEATURES AND BENEFITS

- Multiple Knife Configurations
- CM Patented Replaceable Knife Inserts
- One Piece Traditional Knives
- Combination Hook and Replaceable Knives
- Hexagonal Shafts
- Sealed Gearbox with Oil Splash Lubrication
- Tapered Roller Bearings
- Low Speed—High Torque
- Overload Protection with Auto Reverse & Shutdown
- PLC Controlled & Monitored with HMI
- Low Wear • Low Noise • Low Dust
- Low Heat • Low Vibration • High Precision

SHREDDER MODELS



10-25-50-75-150-250-250L

COMPLETE SYSTEMS

AVAILABLE WITH

- FERROUS RECOVERY
- NON-FERROUS METALS RECOVERY
- LIGHT/HEAVY SEPARATION
- MATERIAL HANDLING
- MCC/PLC/HMI AND INSTRUMENTATION



HYBRID SHREDDER

DUAL SHAFT SHREDDERS WITH MULTIPLE PATENTED KNIFE CONFIGURATIONS

APPLICATIONS

✓ MODELS MOST OFTEN SOLD FOR THIS APPLICATION



MODELS

H-10

H-25

H-50

H-75

H-150

H-250

H-250L

MACHINE TURNINGS



PAPER



COSMETICS



PHARMACEUTICAL



GLASS



PLASTICS



ALUMINUM CANS



HOSPITAL WASTE



ELECTRONIC WASTE



PERIODICALS



GENERAL REFUSE



WOOD PALLETS



CAR TIRES



TRUCK TIRES



www.cmshredders.com

Phone: +1 (941) 755-2621 Toll Free: (800) 848 1071

CM Shredders - 1920 Whitfield Avenue Sarasota FL, 34243

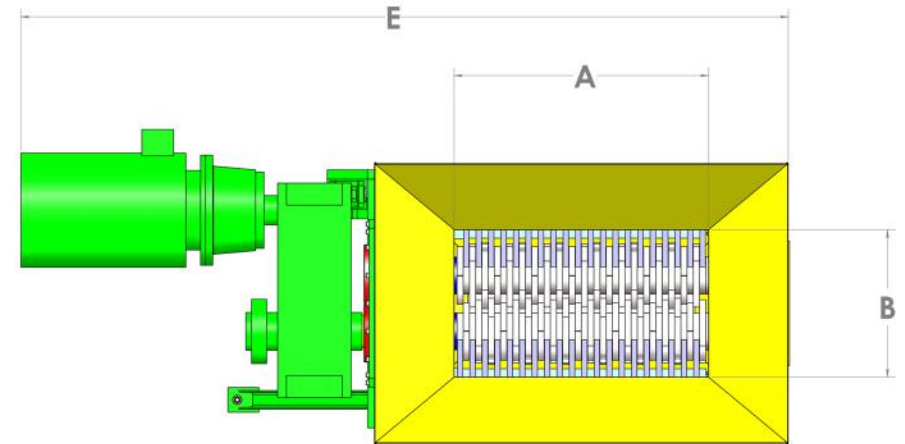


HYBRID SHREDDER

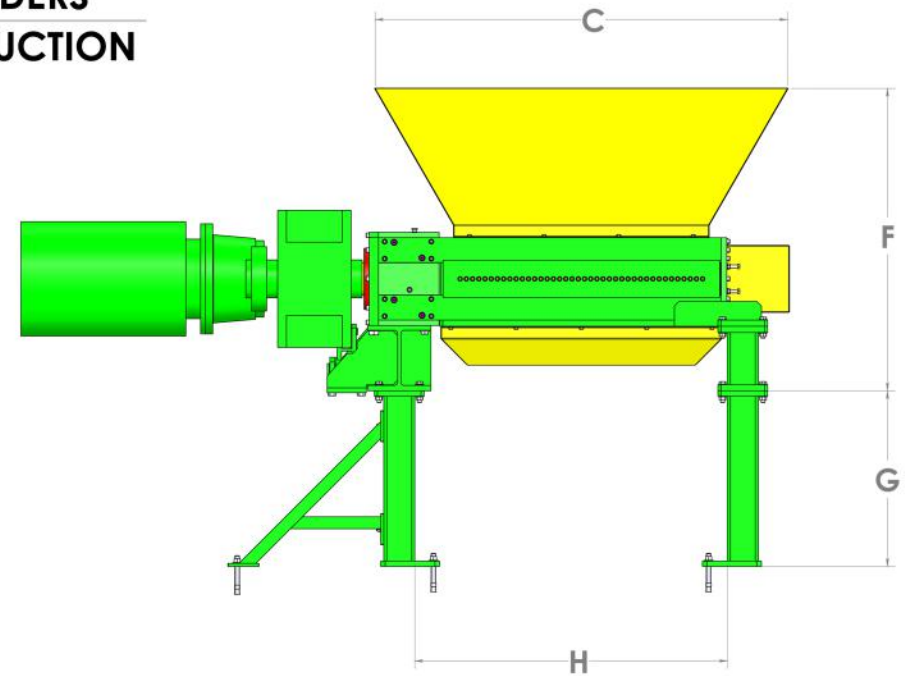
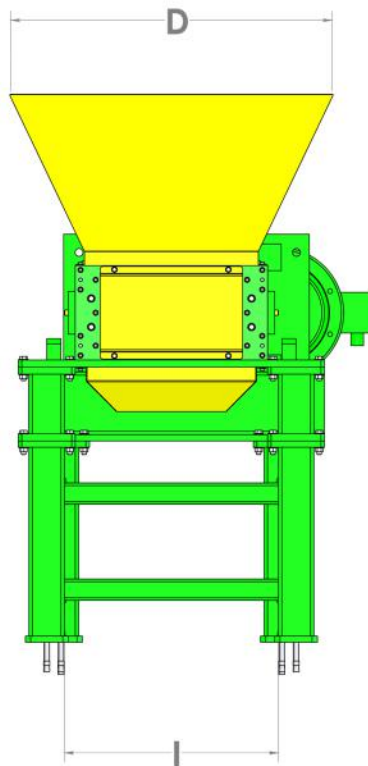
DUAL SHAFT SHREDDERS WITH MULTIPLE PATENTED KNIFE CONFIGURATIONS

SPECIFICATIONS

Model	H-10	H-25	H-50	H-75	H-150	H-250	H-250L
A	18.5	30.0	41.5	45.8	50.0	61.0	91.3
B	16.0	20.5	23.7	27.0	32.5	46.0	46.0
C	31.0	47.9	66.3	73.2	84.5	97.5	127.5
D	26.5	39.0	45.1	51.4	61.3	87.5	87.5
E	62.1	89.6	124.0	136.8	149.4	182.3	212.3
F	27.6	35.2	48.7	53.7	58.7	71.6	71.6
G	TBD	TBD	TBD	TBD	TBD	TBD	TBD
H	TBD	TBD	TBD	TBD	TBD	TBD	TBD
I	TBD	TBD	TBD	TBD	TBD	TBD	TBD



H SERIES SHREDDERS GENERAL SIZE REDUCTION



www.cmshredders.com

Phone: +1 (941) 755-2621 Toll Free: (800) 848 1071

CM Shredders - 1920 Whitfield Avenue Sarasota FL, 34243