

Shredder Model:

HF-7870 XR

Common Applications:

Plastic Recycling
Plastic Purgings
Plastic Reclaim

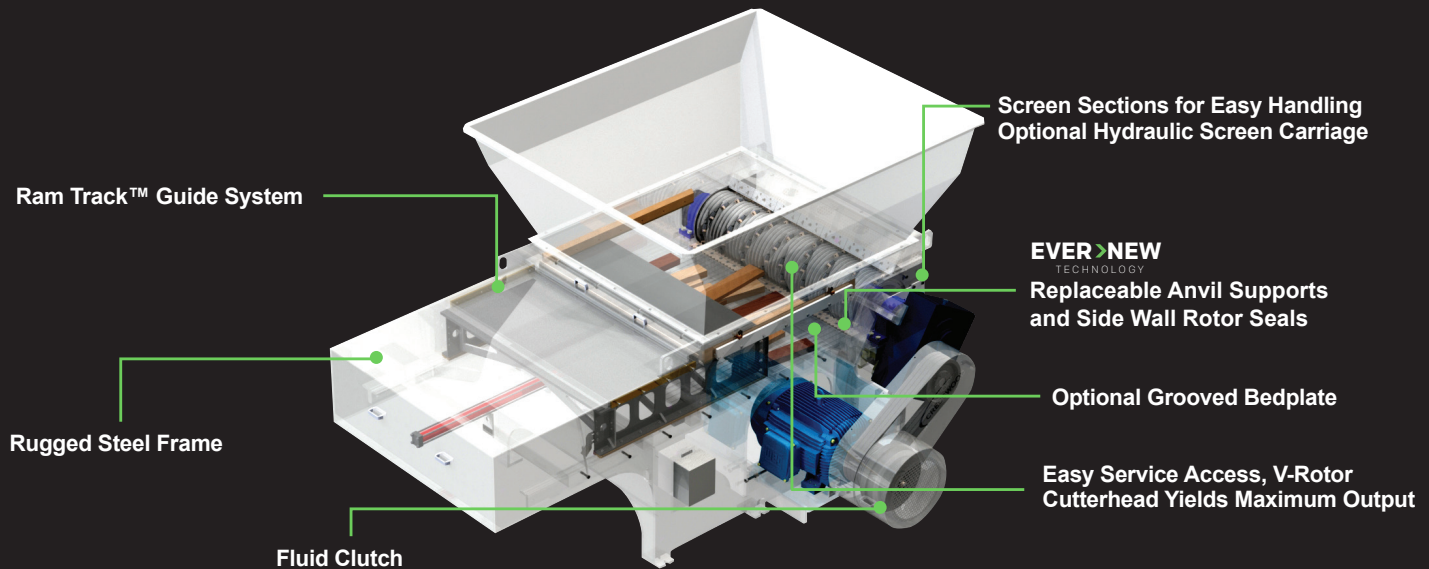


HARDWORKING AMERICAN-MADE MACHINERY

EVER > NEW
TECHNOLOGY

Cresswood's exclusive Ever New Technology allows for replacement of all key wear items to bring your machine back to like-new standards.

The HF-7870 XR "Dump and Go" hopper-fed shredder is best suited for high volume plastic recyclers and manufacturers. This machine can handle your heavy purge, barrels, mixed plastics, thick walled pipe, rotary molding parts, defective automotive parts, or virtually any other large plastic material.



Specifications

Motor HP	125, 150, 200
Cutting Chamber	70" × 78"
Ram Stroke	60"
Rotor Diameter	20"
Grinding Head Speed	50-150 rpm
Frame Thickness	1"
Shaft Diameter	5"
Mid-Range Hopper Volume	6.5 Cubic Yards
Floor Area of Unit	108" × 178"
Shipping Weight	23,000 lbs.

* Specifications are subject to change

** The output of these machines can be optimized for your application by selecting different screens, amount of cutter teeth, cutter teeth placement, and rotor selection.



55 W. Lincoln Hwy • Cortland IL, 60112 • 800-962-7302 • www.Cresswood.com