



Eagle HD

Technical Specifications

The Republic Machine Modular Split-a-Part Series Single Shaft Shredder (US Patent) has revolutionized the size reduction market with its incredible production rates and simplicity of service. These low-speed high-torque shredders are powered by 100hp-300hp robust Right Angle Direct Coupled Drive Trains. Republic Machine cutting systems are afforded the ultimate in protection with the over-torque limiting clutch assembly which removes all inertial energy from the gear drive and rotor in a catastrophic metal contamination incident common in recycling. Sophisticated Allen Bradley MicroLogix PLC Control and a large HMI color touchscreen provide all the necessary settings required to run difficult industry applications. Direct access to rotor, compartment, cutting system, drive train, wipers, and cylinder pin.



Standard Features

- Easy Service Modular Split-a-Part Series Design US Patent
- Single Piece Solid Forged Rotor Heat Treated for Strength
 - Self-Cleaning Non-contaminating Rotor Seals
- Hawksbill or Zoidal Cutting Systems US Patent
- Reversible & Sharpenable Counter Knives
- Oversized Outboard Pillow Block Bearings
- Right Angle Direct Coupled Drive with Over-Torque Limiting Clutch Assembly provides the Ultimate in Drive Train and Rotor Protection
- Allen-Bradley MicroLogix 1400 PLC & Red Lion Color Touch Screen
- Adjustable Anvil for tight Counter Knife Clearance
- High Speed Dual Pump Hydraulic Ram System
- Customizable Infeed Hoppers

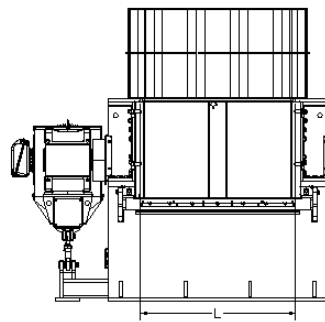
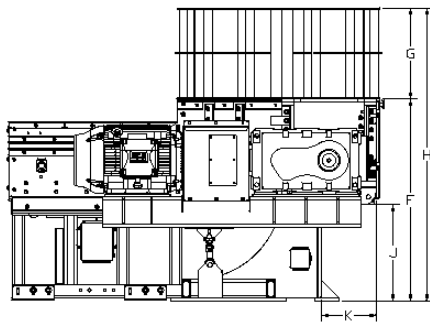
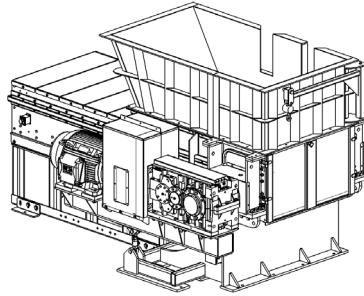
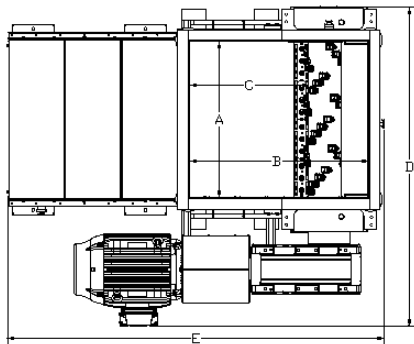
Specifications		42	52	62
Rotor Diameter		15"		
Rotor Motor Size		50 - 125 HP	75 - 200 HP	125 - 300 HP
Rotor Speed		110 - 130 RPM		
Cutters (1-Row)	Hawksbill	30	37	45
	Zoidal XL	17	21	26
Ram Height		11"		
Ram Hdraulic Motor		7.5 HP		
Hopper Opening (WxL)		42" x 52"	52" x 60"	62" x 80"
Hopper Volume		71 cu-ft	99 cu-ft	161 cu-ft
Weight Approx. (tons)		8.5	11.0	13.0
Throughput (estimated)		600-2,500	800-3,500	1,000-5,000
Voltage		460V / 3Ph / 60Hz		

Specifications		52	62	72
Rotor Diameter		20"		
Rotor Motor Size		75 - 200 HP	100 - 250 HP	125 - 300 HP
Rotor Speed		110 - 130 RPM		
Cutters (1-Row)	Hawksbill	37	45	53
	Zoidal XL	21	26	33
Ram Height		17"		
Ram Hdraulic Motor		7.5 HP		15
Hopper Opening (WxL)		52" x 60"	62" x 80"	73" x 101"
Hopper Volume		108 cu-ft	175 cu-ft	260 cu-ft
Weight Approx. (tons)		12.5	14.5	17.5
Throughput (estimated)		800-4,000	1,000 - 6,000	1,500 - 8,000
Voltage		460V / 3Ph / 60Hz		



Eagle HD

Technical Specifications



	42"	52"	62"	52"	62"	72"
	15" ROTOR			20" ROTOR		
A	42.1	51.4	62.3	51.4	62.3	73.3
B	51.5	59.0	79.8	58.8	79.8	100.2
C	31.9	39.4	59.6	36.7	57.7	78.1
D	87.3	101.8	116.3	105.1	116.3	134.8
E	109.2	124.2	164.2	124.2	164.2	210.2
F	66.5	66.5	66.5	66.5	66.5	71.5
G	30.0	30.0	30.0	30.0	30.0	30.0
H	96.5	96.5	96.5	96.5	96.5	101.5
J	33.8	31.8	31.8	31.8	31.8	31.8

*Specifications, appearances, and dimensions are subject to change without notice.

Optional Features

- Multiple Cutter Rows
 - Rigid (Hawksbill) & Film/Fiber (Zoidal) Cutting Systems
 - Bolt-In Replaceable Tool Holders
- Ethernet Module for Remote PLC Access
- Extended Compartment Lengths
- Corrugated Compartment Floor & Top of Ram Plate
- Special High Efficiency Screens
 - Round, Square and Rectangular Holed Close Tolerance Screens
 - Grooved Screen US Patent with Close Cutting Tolerance
 - Grooved Triple-Cut Screen Providing Granulator Performance from a Shredder down to 3/8"
- Water Cooled Rotor and Anvil
- Modular Wear Components available in High Abrasion Applications
- Customizable Hoppers
 - Angled Hopper Walls
 - Fork Slot Hopper Openings
 - Enclosed Hoppers with Flap Assembly for Product Containment
- Jib Crane with Hand Hoist for Easy Screen Removal

Optional Auxiliary Components

- Belt Infeed & Outfeed Conveyor Systems
- Gaylord Box Dumpers
- Auger Outfeed Systems
- Integrated Downstream Granulators
- Discharge Blower Evacuation Systems
- Complete System Control Integration
- Magnetic Separators & Detector Systems
- Material Fines Separation & Classification Systems